

Customer

Technical data

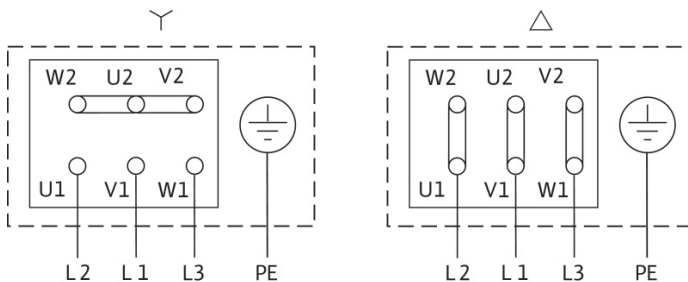
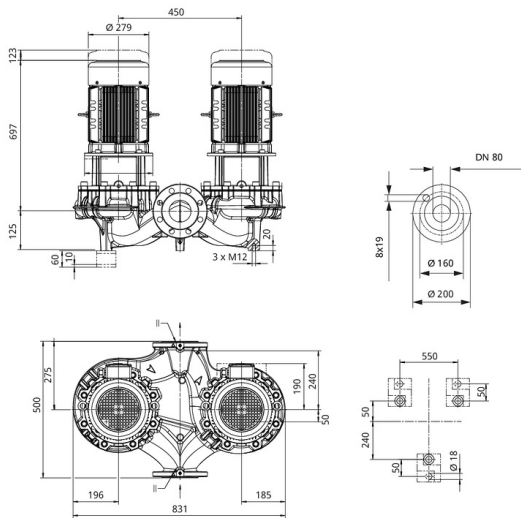
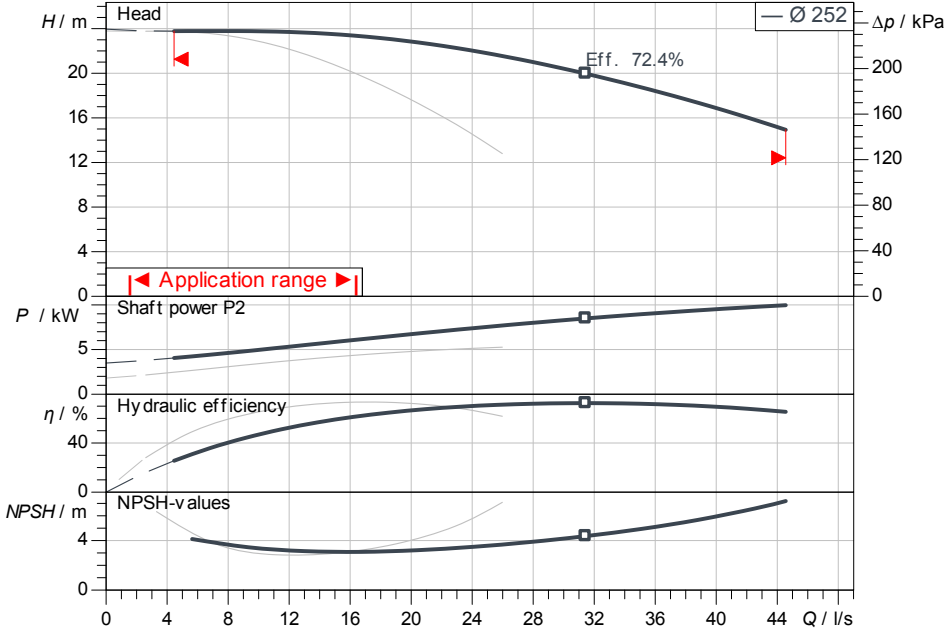
Glanded standard twin-head pump Atmos GIGA-D 80/240-5,5/4

Project ID: Untitled project 2025-03-01 18:38:40.590

Project name
Installation location
Customer pos. No.

Date: 2025-03-01

Duty chart



Requested data

Flow
Head
Media: Water 100 %
Fluid temperature: 20.00 °C
Density: 998.30 kg/m³
Kin. viscosity: 1.00 mm²/s

Hydraulic data (Duty point)

Flow
Head
Shaft power P2
Hydraulic efficiency
NPSH

Product data

Glanded standard twin-head pump
Atmos GIGA-D 80/240-5,5/4
Max. operating pressure: 1,600 kPa
Fluid temperature: -20 °C ... +140 °C
Max. ambient temperature: 40 °C
Minimum efficiency index (MEI): ≥ 0.4

Motordata per Motor/Pump

Motor efficiency level: IE3
Mains connection: 3~ 400 V / 50 Hz
Permitted voltage tolerance: +10 %
Rated speed: 1,450 1/min
Rated power P2: 5.50 kW
Rated current: 11.10 A
Power factor: 0.79
Efficiency: 50% / 75% / 100% → 86.8 / 89 / 89.5 %
Degree of protection: IP55
Insulation class: F
Motor protection: PTC integrated

Fitting dimensions

Pipe connection on the suction side: DN 80, PN 16
Pipe connection (pressure side): DN 80, PN 16
Port to Port: 500 mm

Materials

Pump housing: 5.1301, EN-GJL-250 cataphoretic-coated
Impeller: EN-GJL-200
Lantern: 5.1301/EN-GJL-250
Shaft: 1.4122
Shaft seal: AQ1EGG

Information for order placements

Weight approx.: 342 kg
Item number: 2225460