

**Customer**

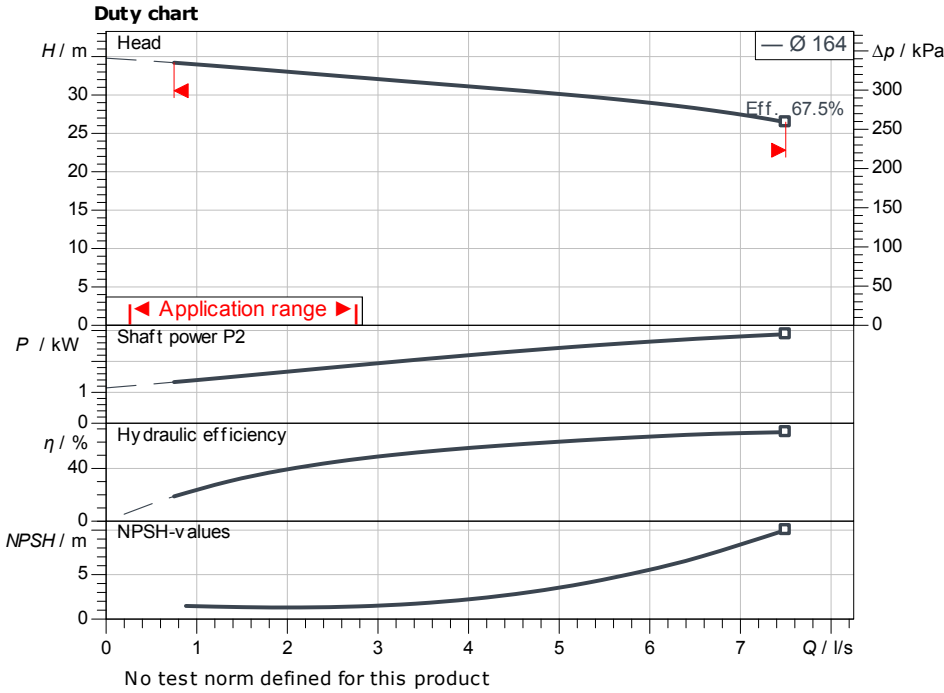
## Technical data

### Glanded monobloc pump Atmos BST 32/200-3/2-H12-V1

Project ID: Untitled project 2025-03-01 17:12:44.130

Project name  
Installation location  
Customer pos. No.

Date: 2025-03-01



**Requested data**

Flow	
Head	
Media	Water 100 %
Fluid temperature	20.00 °C
Density	998.30 kg/m <sup>3</sup>
Kin. viscosity	1.00 mm <sup>2</sup> /s

**Hydraulic data (Duty point)**

Flow	
Head	
Shaft power P2	
Hydraulic efficiency	
NPSH	
Impeller size	164

**Product data**

Glanded monobloc pump	
Atmos BST 32/200-3/2-H12-V1	
Max. operating pressure	1,000 kPa
Fluid temperature	-20 °C ... +120 °C
Max. ambient temperature	50 °C
Minimum efficiency index (MEI)	≥ 0.4

**Motordata per Motor/Pump**

Motor efficiency level	IE3
Mains connection	3~ 400 V / 50 Hz
Permitted voltage tolerance	+6 %
Max. speed	2,900 1/min
Rated power P2	3.00 kW
Rated current	5.70 A
Power factor	0.87
Efficiency	50% / 75% / 100% //%
Degree of protection	IP55
Insulation class	F
Motor protection	

**Fitting dimensions**

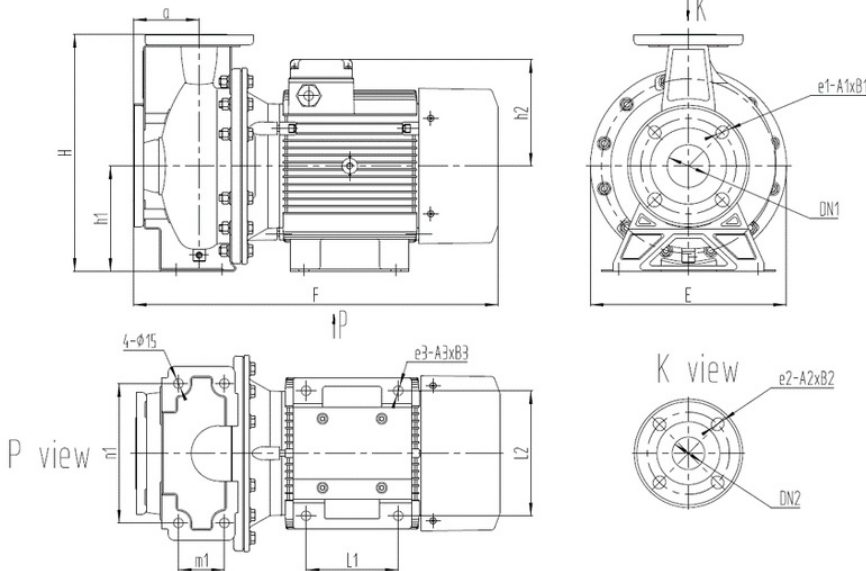
Pipe connection on the suction side	DN 50, PN 16
Pipe connection (pressure side)	DN 32, PN 16
Port to Port	

**Materials**

Pump housing	1.4401
Impeller	1.4401
Shaft	1.4401
Shaft seal	B3Q1EG

**Information for order placements**

Weight approx.	
Item number	9187138



**Dimensions**

mm

A	80	B2	20	E	298	L1	100
A1	18	B3	18	F	455	L2	160
A2	18	dL	18	H	340	M1	70
A3	12	DN1	DN 50, P	H1	160	n1	190
B1	20	DN2	DN 32, P	H2	112	Ø k	125



Contact  
E-mail  
Phone

Customer

Contact  
E-mail  
Phone

# Hydraulic data

Glanded monobloc pump  
Atmos BST 32/200-3/2-H12-V1

Project ID: Untitled project 2025-03-01 17:12:44.130

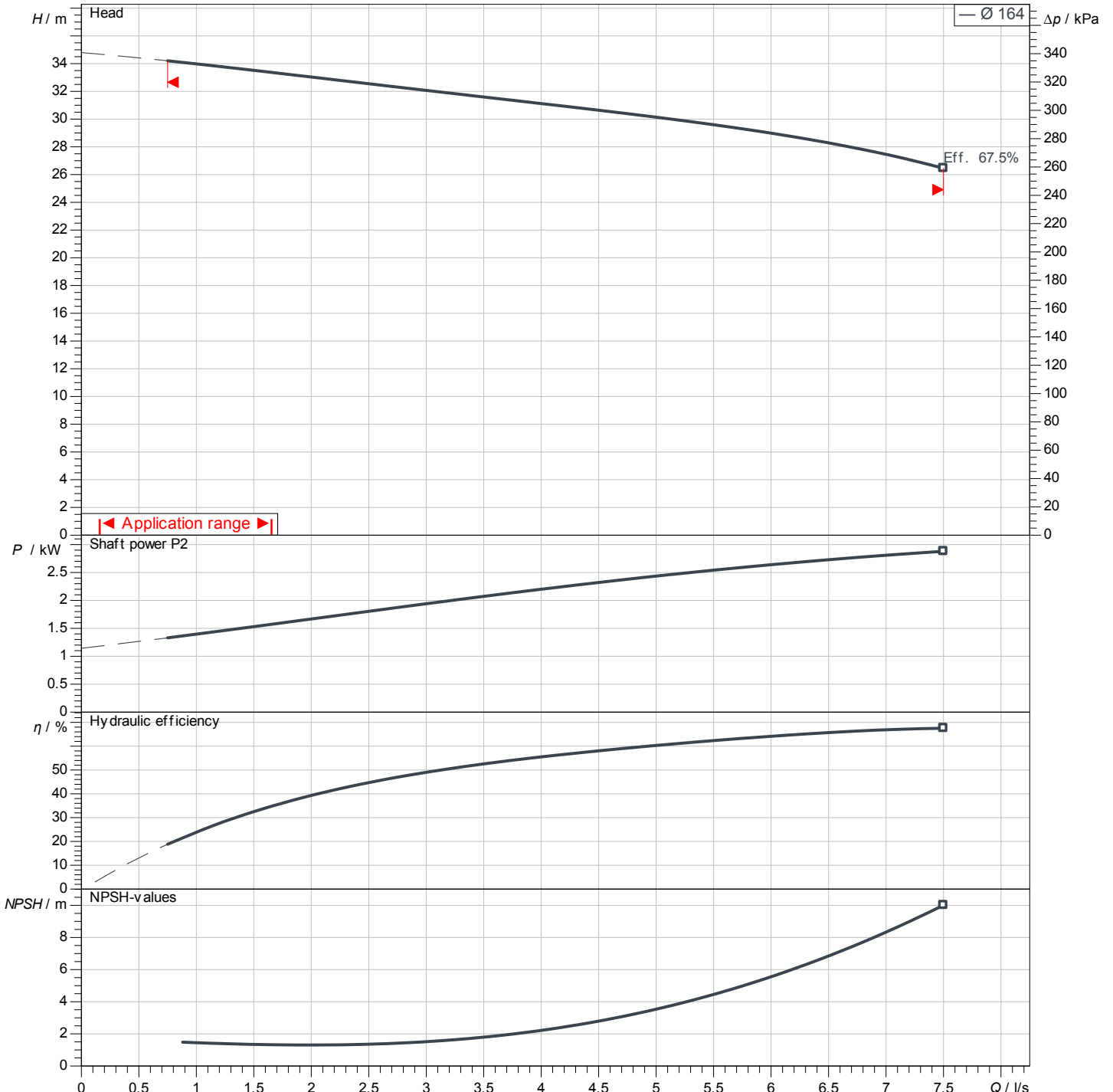
Project name  
Installation location  
Customer pos. No.

Date: 2025-03-01

## Operating data

Rotational speed <b>2884 1/min</b>	Frequency <b>50 Hz</b>	Duty point <b>Q =</b>	<b>H =</b>	Suction port <b>DN 50</b>	Discharge port <b>DN 32</b>
---------------------------------------	---------------------------	--------------------------	------------	------------------------------	--------------------------------

Power data referred to: Water; 20°C; 998.3kg/m³; 1.005mm²/s ±10 % tolerance with linear U/f frequency control



No test norm defined for this product

Contact  
E-mail  
Phone

**Customer**

Contact  
E-mail  
Phone

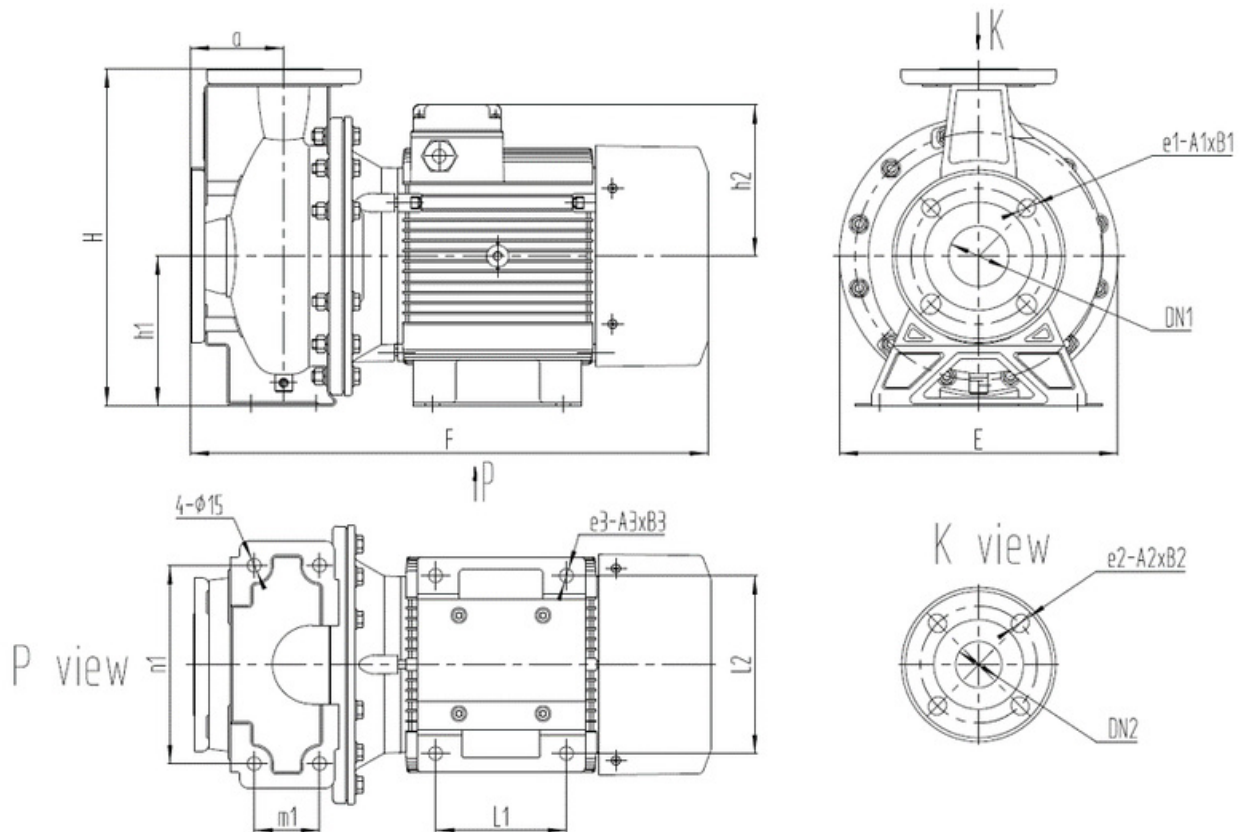
## Dimensions

Glanded monobloc pump  
Atmos BST 32/200-3/2-H12-V1

Project ID                      Untitled project 2025-03-01 17:12:44.130

Project name  
Installation location  
Customer pos. No.

Date                      2025-03-01



Standard

Suction side                      DN 50, PN 16  
Discharge side                      DN 32, PN 16

**Dimensions**                      mm

Name	Value	Name	Value	Name	Value	Name	Value
A	80	dL	18	H2	112	Ø D	165
A1	18	DN1	DN 50, PN 16	L1	100		
A2	18	DN2	DN 32, PN 16	L2	160		
A3	12	E	298	M1	70		
B1	20	F	455	n1	190		
B2	20	H	340	Ø k	125		
B3	18	H1	160	Ø d	99		