

**Customer**

# Technical data

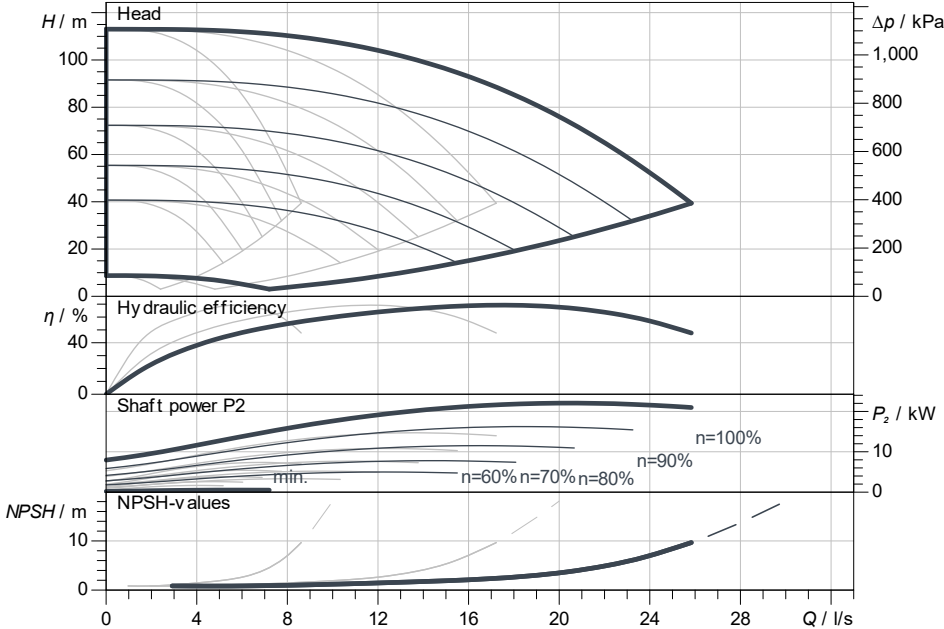
## Multi-pump system SiBoost Smart 3 Helix VE 1606

Project ID: Untitled project 2025-03-04 01:04:54.425

Project name  
Installation location  
Customer pos. No.

Date: 2025-03-04

### Duty chart



### Requested data

Flow	
Head	
Media	Water 100 %
Fluid temperature	20.00 °C
Density	998.30 kg/m <sup>3</sup>
Kin. viscosity	1.00 mm <sup>2</sup> /s

### Hydraulic data (Duty point)

Flow	
Head	
Shaft power P <sub>2</sub>	

### Product data

Multi-pump system	
SiBoost Smart 3 Helix VE 1606	
Control	With frequency converter
No. of pumps	3
Max. operating pressure	1,600 kPa
Inlet pressure max.	10 bar
Fluid temperature	3 °C ... +50 °C
Max. ambient temperature	40 °C
Protection class motor	IP55
Protection class of switchgear	IP54
Diaphragm pressure vessel	Yes
Low-water cut-out switchgear	No

### Motordata per Motor/Pump

Motor efficiency level	IE4
Mains connection	3~ 400 V / 50 Hz
Permitted voltage tolerance	400/50: +/- 10%, 380/6
Max. speed	3,500 1/min
Rated power P <sub>2</sub>	7.50 kW
Rated current	12.00 A

Efficiency	
50% / 75% / 100%	91.1/91.7/91.7%
Insulation class	F
Motor protection	Yes

### Fitting dimensions

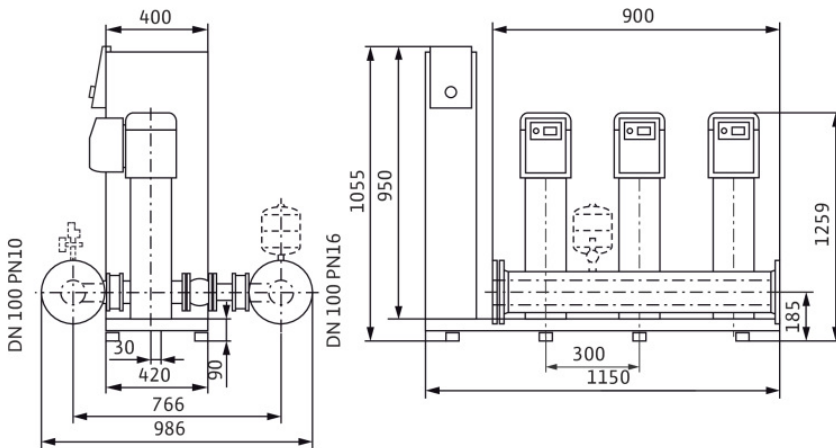
Pipe connection on the suction side	DN 100, PN 10
Pipe connection (pressure side)	DN 100, PN 16

### Materials

Pump housing	1.4301
Impeller	1.4307
Shaft	1.4301
Shaft seal	Q1BE3GG
Gasket material	EPDM
Pipework material	1.4307

### Information for order placements

Weight approx.	434 kg
Item number	29990234



### Dimensions mm

Contact  
E-mail  
Phone

**Customer**

Contact  
E-mail  
Phone

## Dimensions

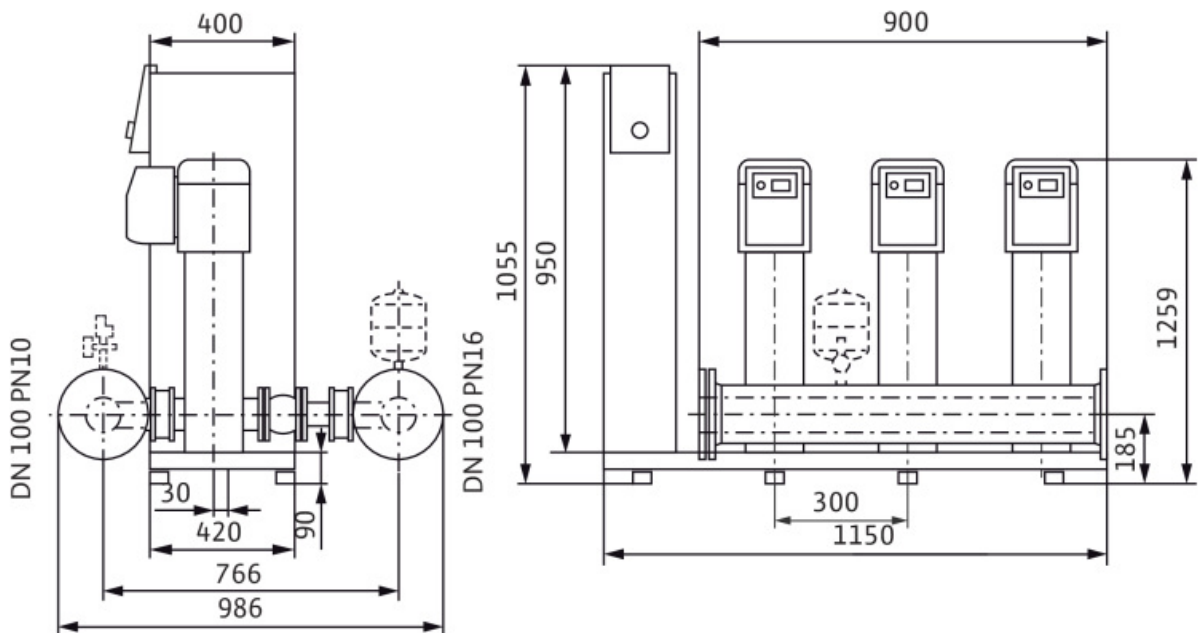
### Multi-pump system

SiBoost Smart 3 Helix VE 1606

Project ID                      Untitled project 2025-03-04 01:04:54.425

Project name  
Installation location  
Customer pos. No.

Date                      2025-03-04



Standard

Suction side                      DN 100, PN 10/PN 16

Discharge side                      DN 100, PN 10/PN 16

**Dimensions**                      mm

Name	Value	Name	Value	Name	Value	Name	Value
------	-------	------	-------	------	-------	------	-------