

**Customer**

## Technical data

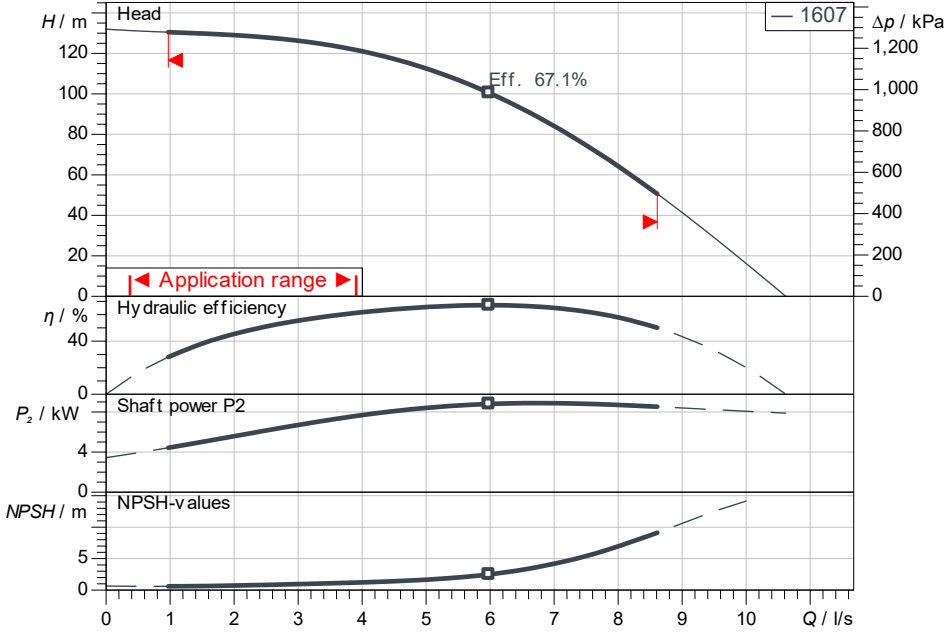
### High-pressure multistage centrifugal pump Helix V 1607-1/25/E/KS/460-60

Project ID: Untitled project 2025-03-05 07:27:14.016

Project name  
Installation location  
Customer pos. No.

Date: 2025-03-05

#### Duty chart

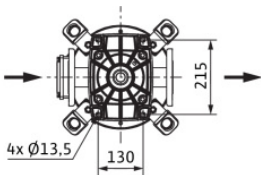


ISO 9906: 2012 3B

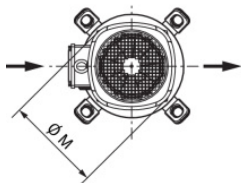
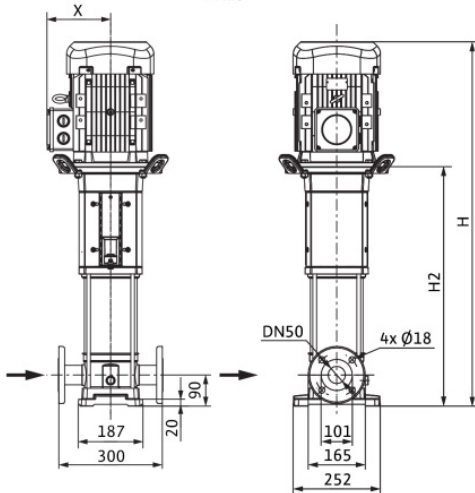
#### Dimensions

H	1,24
H2	842
X	196

mm



PN25



#### Requested data

Flow	
Head	
Media	Water 100 %
Fluid temperature	20.00 °C
Density	998.30 kg/m <sup>3</sup>
Kin. viscosity	1.00 mm <sup>2</sup> /s

#### Hydraulic data (Duty point)

Flow	
Head	
Shaft power P <sub>2</sub>	
Hydraulic efficiency	
NPSH	

#### Product data

High-pressure multistage centrifugal pump Helix V 1607-1/25/E/KS/460-60	
Max. operating pressure	2,500 kPa
Inlet pressure max.	10 bar
Fluid temperature	-30 °C ... +120 °C
Max. ambient temperature	50 °C
Minimum efficiency index (MEI)	

#### Motordata per Motor/Pump

Motor efficiency level	
Mains connection	3~ 400 V / 60 Hz
Permitted voltage tolerance	+ -10 %
Max. speed	2,905 1/min
Rated power P <sub>2</sub>	9.00 kW
Rated current	16.70 A
Power factor	0.87
Service factor	1.15
Efficiency	50% / 75% / 100%
Degree of protection	IP55
Insulation class	
Motor protection	PTC

#### Fitting dimensions

Pipe connection on the suction side	DN 50, PN 25
Pipe connection (pressure side)	DN 50, PN 25

#### Materials

Pump housing	1.4301
Impeller	1.4307
Shaft	1.4301
Shaft seal	BQ7EGG
Gasket material	EPDM

#### Information for order placements

Weight approx.	100 kg
Item number	4213218