

**Customer**

## Technical data

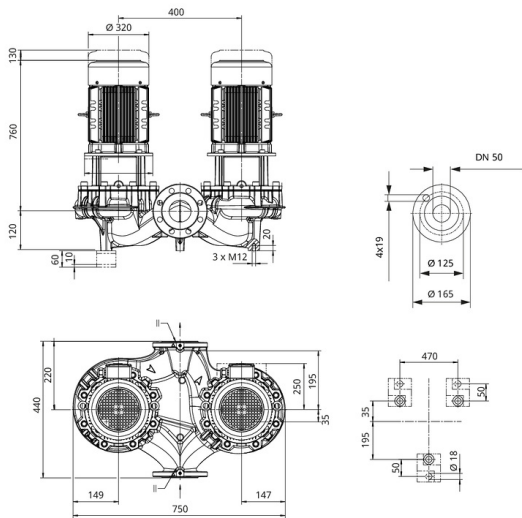
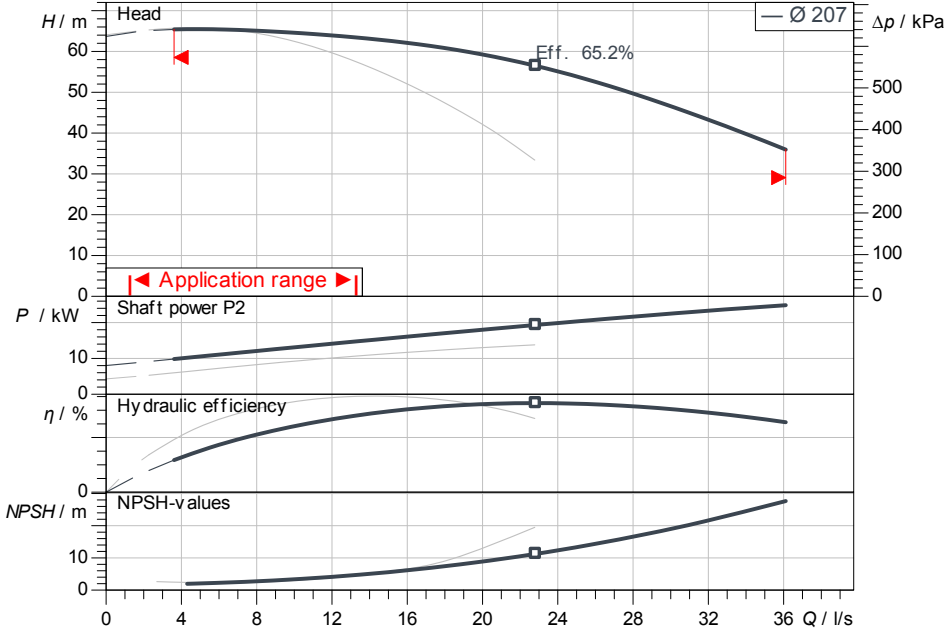
### Glanded standard twin-head pump Atmos GIGA-D 50/200-15/2

Project ID                      Untitled project 2025-03-01 18:38:40.590

Project name  
Installation location  
Customer pos. No.

Date                      2025-03-01

#### Duty chart



#### Requested data

|                   |                          |
|-------------------|--------------------------|
| Flow              |                          |
| Head              |                          |
| Media             | Water 100 %              |
| Fluid temperature | 20.00 °C                 |
| Density           | 998.30 kg/m <sup>3</sup> |
| Kin. viscosity    | 1.00 mm <sup>2</sup> /s  |

#### Hydraulic data (Duty point)

|                      |  |
|----------------------|--|
| Flow                 |  |
| Head                 |  |
| Shaft power P2       |  |
| Hydraulic efficiency |  |
| NPSH                 |  |

#### Product data

|                                 |                    |
|---------------------------------|--------------------|
| Glanded standard twin-head pump |                    |
| Atmos GIGA-D 50/200-15/2        |                    |
| Max. operating pressure         | 1,600 kPa          |
| Fluid temperature               | -20 °C ... +140 °C |
| Max. ambient temperature        | 40 °C              |
| Minimum efficiency index (MEI)  | ≥ 0.4              |

#### Motordata per Motor/Pump

|                             |                  |
|-----------------------------|------------------|
| Motor efficiency level      | IE3              |
| Mains connection            | 3~ 400 V / 50 Hz |
| Permitted voltage tolerance | +/- 10 %         |
| Rated speed                 | 2,900 1/min      |
| Rated power P2              | 15.00 kW         |
| Rated current               | 27.00 A          |
| Power factor                | 0.88             |
| Efficiency                  | 50% / 75% / 100% |
| Degree of protection        | IP55             |
| Insulation class            | F                |
| Motor protection            | PTC integrated   |

#### Fitting dimensions

|                                     |              |
|-------------------------------------|--------------|
| Pipe connection on the suction side | DN 50, PN 16 |
| Pipe connection (pressure side)     | DN 50, PN 16 |
| Port to Port                        | 440 mm       |

#### Materials

|              |  |
|--------------|--|
| Pump housing | 5.1301, EN-GJL-250 cataphoretic-coated |
| Impeller     | EN-GJL-200                             |
| Lantern      | 5.1301/EN-GJL-250                      |
| Shaft        | 1.4122                                 |
| Shaft seal   | AQ1EGG                                 |

#### Information for order placements

|                |         |
|----------------|---------|
| Weight approx. | 350 kg  |
| Item number    | 2225332 |

