

Contact
E-mail
Phone

Customer

Contact
E-mail
Phone

Dimensions

Glanded monobloc pump
BM-B 125/315-30/4

Project ID

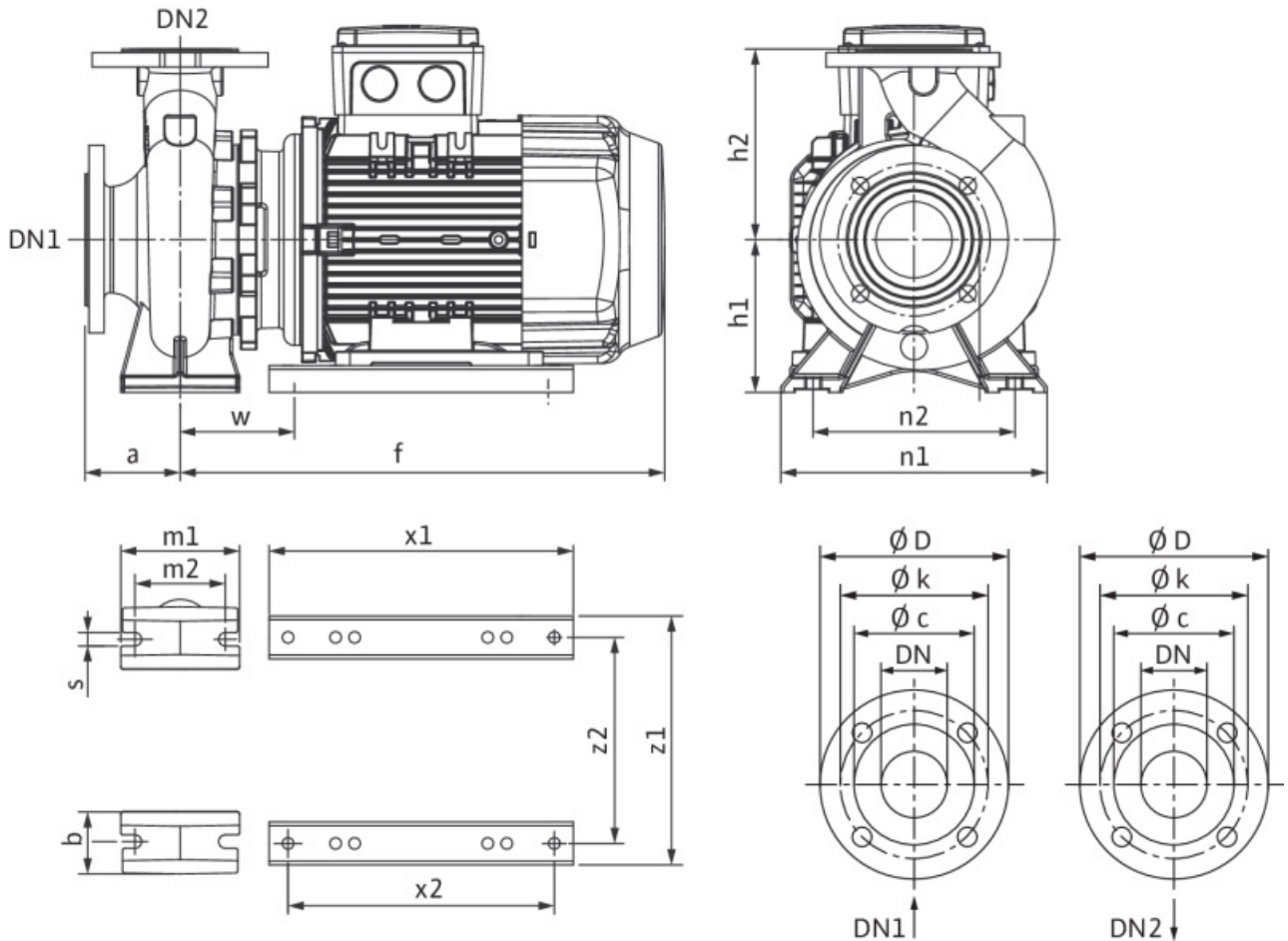
Untitled project 2025-03-01 21:27:50.947

Project name

Installation location

Customer pos. No.

Date 2025-03-01



Standard

Suction side DN 150, PN 10
Discharge side DN 125, PN 10

Dimensions mm

Name	Value	Name	Value	Name	Value	Name	Value
a	140	h1	280	Ø k	210	x2	491
b	100	h2	355	Ø d	211	z1	436
d	22	m1	200	Ø D	285	z2	356
dL	23	m2	150	Ø D	250		
DN1	DN 150, PN 10	n1	500	s	24		
DN2	DN 125, PN 10	n2	400	w	255		
f	885	Ø k	240	x1	570		

Customer

Technical data

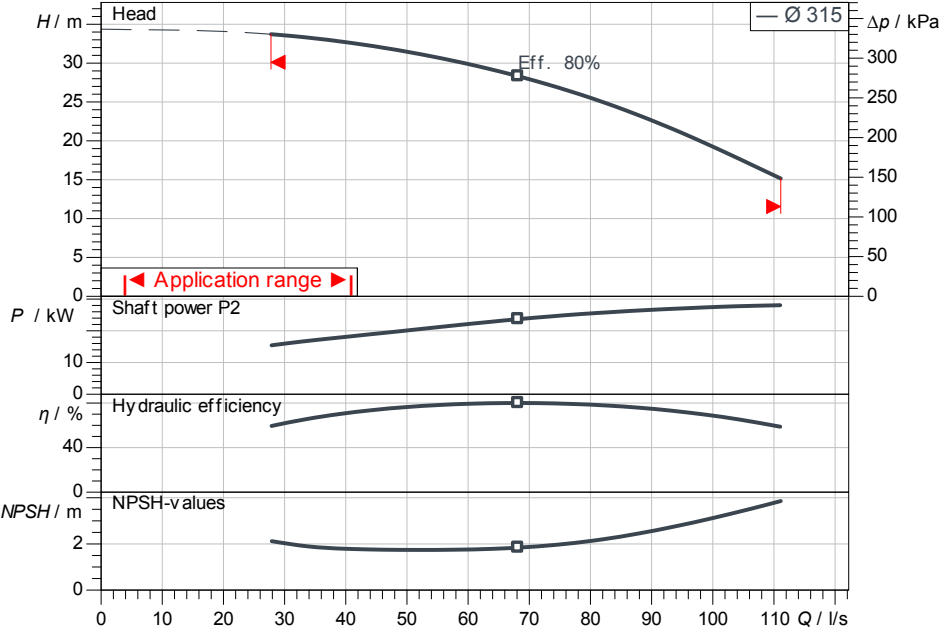
Glanded monobloc pump BM-B 125/315-30/4

Project ID: Untitled project 2025-03-01 21:27:50.947

Project name
Installation location
Customer pos. No.

Date: 2025-03-01

Duty chart



Requested data

Flow
Head
Media: Water 100 %
Fluid temperature: 20.00 °C
Density: 998.30 kg/m³
Kin. viscosity: 1.00 mm²/s

Hydraulic data (Duty point)

Flow
Head
Shaft power P2
Hydraulic efficiency
NPSH

Product data

Glanded monobloc pump
BM-B 125/315-30/4
Max. operating pressure: 1,000 kPa
Fluid temperature: -10 °C ... +90 °C
Max. ambient temperature: 40 °C
Minimum efficiency index (MEI): ≥ 0.4

Motordata per Motor/Pump

Motor efficiency level: IE3
Mains connection: 3~ 400 V / 50 Hz
Permitted voltage tolerance: +10 %
Rated speed: 1,450 1/min
Rated power P2: 30.00 kW
Rated current: 56.70 A
Power factor: 0.81
Efficiency: 50% / 75% / 100% → 92.5 / 93.3 / 93.6 %
Degree of protection: IP55
Insulation class: F
Motor protection: No

Fitting dimensions

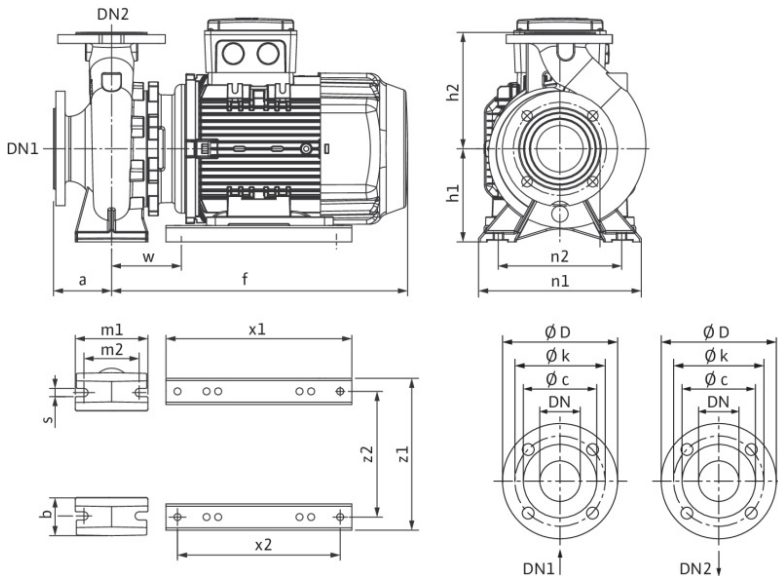
Pipe connection on the suction side: DN 150, PN 10
Pipe connection (pressure side): DN 125, PN 10
Port to Port: -

Materials

Pump housing: Bronze, G-CuSn10
Impeller: Bronze, G-CuSn10
Shaft: 1.4362
Shaft seal: Q1Q1VGG

Information for order placements

Weight approx.: 531 kg
Item number: 2103255



Hydraulic data

Glanded monobloc pump
BM-B 125/315-30/4

Project ID: Untitled project 2025-03-01 21:27:50.947

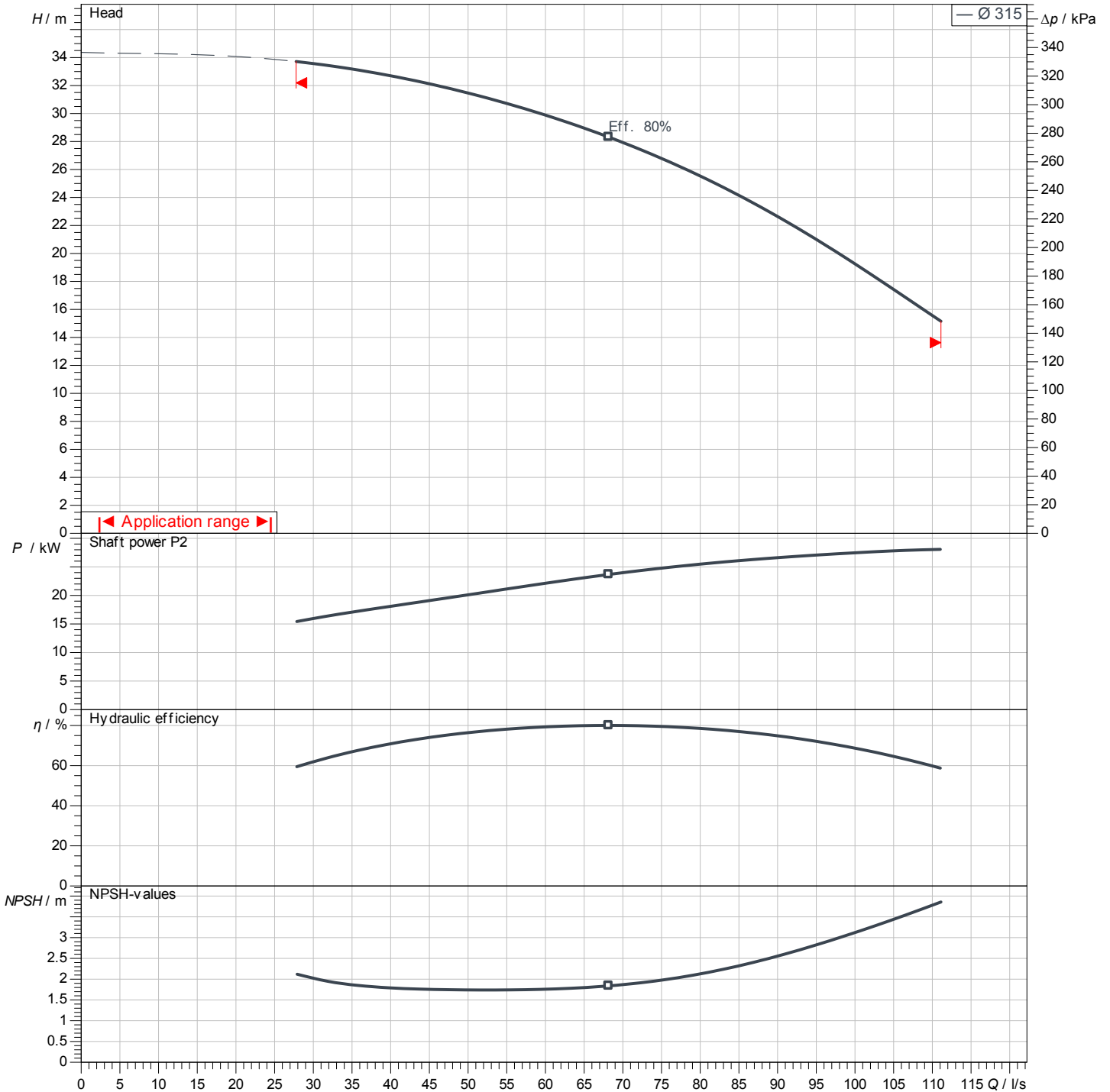
Project name
Installation location
Customer pos. No.

Date: 2025-03-01

Operating data

Rotational speed 1450 1/min	Frequency 50 Hz	Duty point Q =	H =	Suction port DN 150	Discharge port DN 125
---------------------------------------	---------------------------	--------------------------	------------	-------------------------------	---------------------------------

Power data referred to: Water; 20°C; 998.3kg/m³; 1.005mm²/s ±10 % tolerance with linear U/f frequency control



No test norm defined for this product