

Customer

Technical data

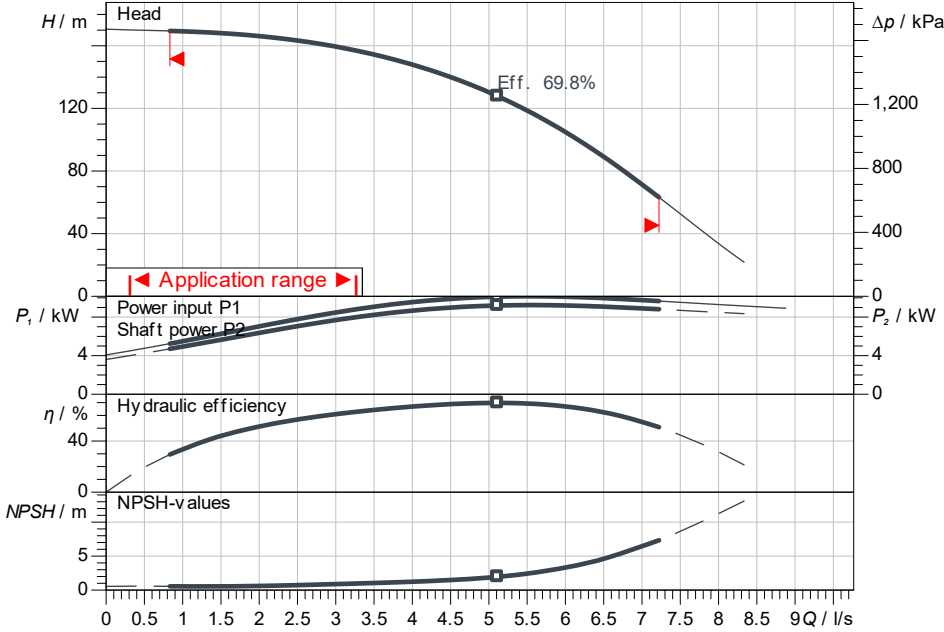
High-pressure multistage centrifugal pump Helix FIRST V 1613-5/25/E/KS/400-50

Project ID: Untitled project 2025-03-03 15:12:38.853

Project name
Installation location
Customer pos. No.

Date: 2025-03-03

Duty chart

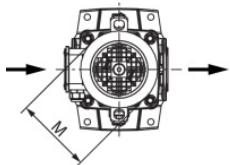
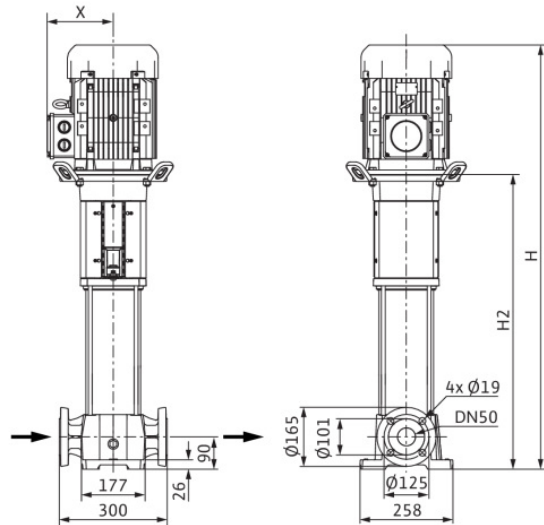
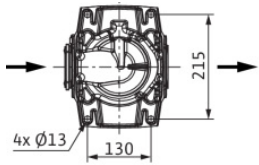


ISO 9906: 2012 3B

Dimensions

mm

H	1,64
H2	1,24
ØM	260
X	182
X	182



Requested data

Flow	
Head	
Media	Water 100 %
Fluid temperature	20.00 °C
Density	998.30 kg/m³
Kin. viscosity	1.00 mm²/s

Hydraulic data (Duty point)

Flow	
Head	
Shaft power P2	
Hydraulic efficiency	
NPSH	

Product data

High-pressure multistage centrifugal pump	
Helix FIRST V 1613-5/25/E/KS/400-50	
Max. operating pressure	2,500 kPa
Inlet pressure max.	10 bar
Fluid temperature	-20 °C ... +120 °C
Max. ambient temperature	50 °C
Minimum efficiency index (MEI)	≥ 0.5

Motordata per Motor/Pump

Motor efficiency level	IE3
Mains connection	3~ 400 V / 50 Hz
Permitted voltage tolerance	+10 %
Max. speed	2,926 1/min
Rated power P2	9.00 kW
Rated current	16.70 A
Power factor	0.87
Service factor	1.15
Efficiency	50% / 75% / 100%
Degree of protection	IP55
Insulation class	F
Motor protection	No

Fitting dimensions

Pipe connection on the suction side	DN 50, PN 25
Pipe connection (pressure side)	DN 50, PN 25

Materials

Pump housing	5.1301/EN-GJL-250
Impeller	1.4307
Shaft	1.4301
Shaft seal	BQ7EGG
Gasket material	EPDM

Information for order placements

Weight approx.	116 kg
Item number	4201009