

Contact
E-mail
Phone

Customer

Contact
E-mail
Phone

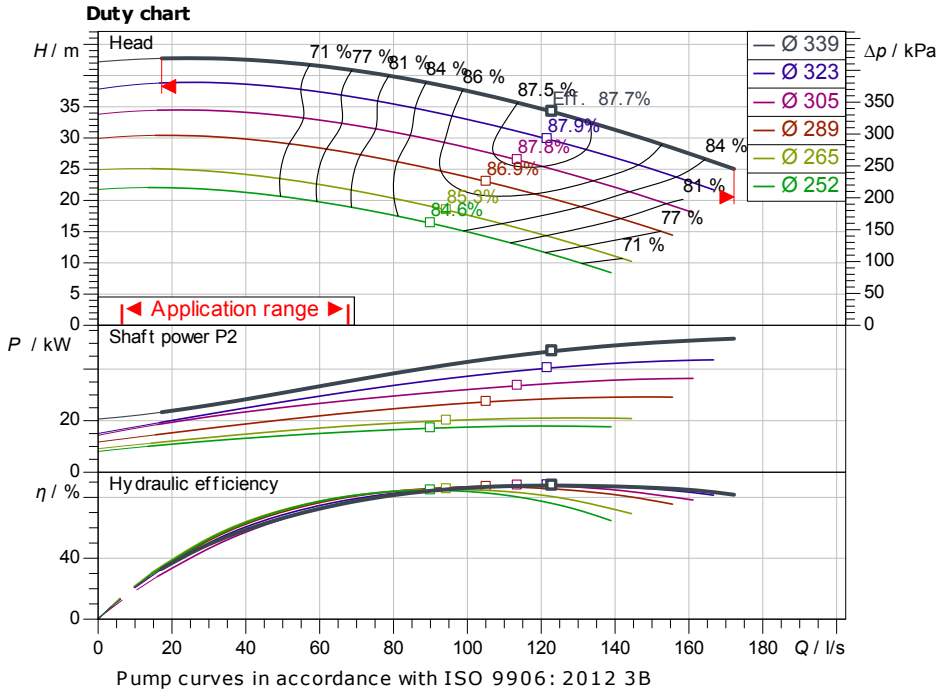
Technical data

Glanded standard pump
Atmos GIGA-N 150/315-55/4-IE4

Project ID: Untitled project 2025-03-03 06:26:03.775

Project name
Installation location
Customer pos. No.

Date: 2025-03-03



Requested data

Flow
Head
Media: Water 100 %
Fluid temperature: 20.00 °C
Density: 998.30 kg/m³
Kin. viscosity: 1.00 mm²/s

Hydraulic data (Duty point)

Flow
Head
Shaft power P_2
Hydraulic efficiency
NPSH
Impeller size: 339

Product data

Glanded standard pump
Atmos GIGA-N 150/315-55/4-IE4
Max. operating pressure: 1,600 kPa
Fluid temperature: -20 °C ... +140 °C
Max. ambient temperature: 40 °C
Minimum efficiency index (MEI): ≥ 0.4

Motordata per Motor/Pump

Motor efficiency level: IE4
Mains connection: 3~ 400 V / 50 Hz
Permitted voltage tolerance: +10 %
Max. speed: 1,485 1/min
Rated power P_2 : 55.00 kW
Rated current: 100.00 A
Power factor: 0.83
Efficiency: 50% / 75% / 100% → 94.9/95.4/95.7%
Degree of protection: IP55
Insulation class: F
Motor protection: PTC integrated

Fitting dimensions

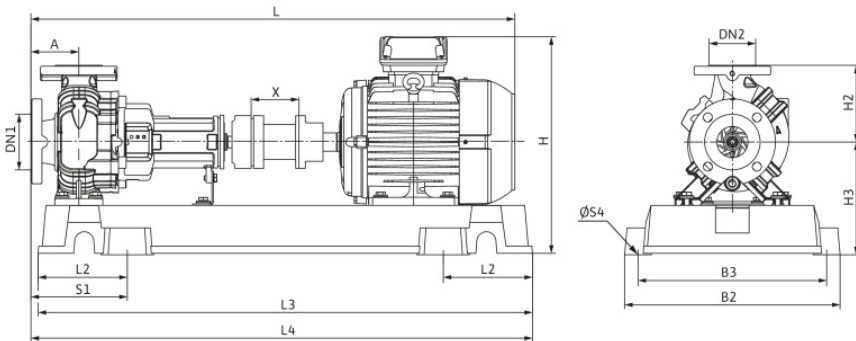
Pipe connection on the suction side: DN 200, PN 16
Pipe connection (pressure side): DN 150, PN 16
Port to Port

Materials

Pump housing: 5.1301/EN-GJL-250
Impeller: EN-GJL-200
Lantern: 5.1301/EN-GJL-250
Shaft: 1.4021
Shaft seal: AQ1EGG

Information for order placements

Weight approx.: 1029.3 kg
Item number



Dimensions

mm

A	160	H	801	L3	1,840
B2	730	H2	400	L4	1,870
B3	670	H3	403	S1	350
DN1	DN 200,	L	1,795	S4	29
DN2	DN 150,	L2	320	X	140



Contact
E-mail
Phone

Customer

Contact
E-mail
Phone

Hydraulic data

Glanded standard pump
Atmos GIGA-N 150/315-55/4-1E4

Project ID Untitled project 2025-03-03 06:26:03.775

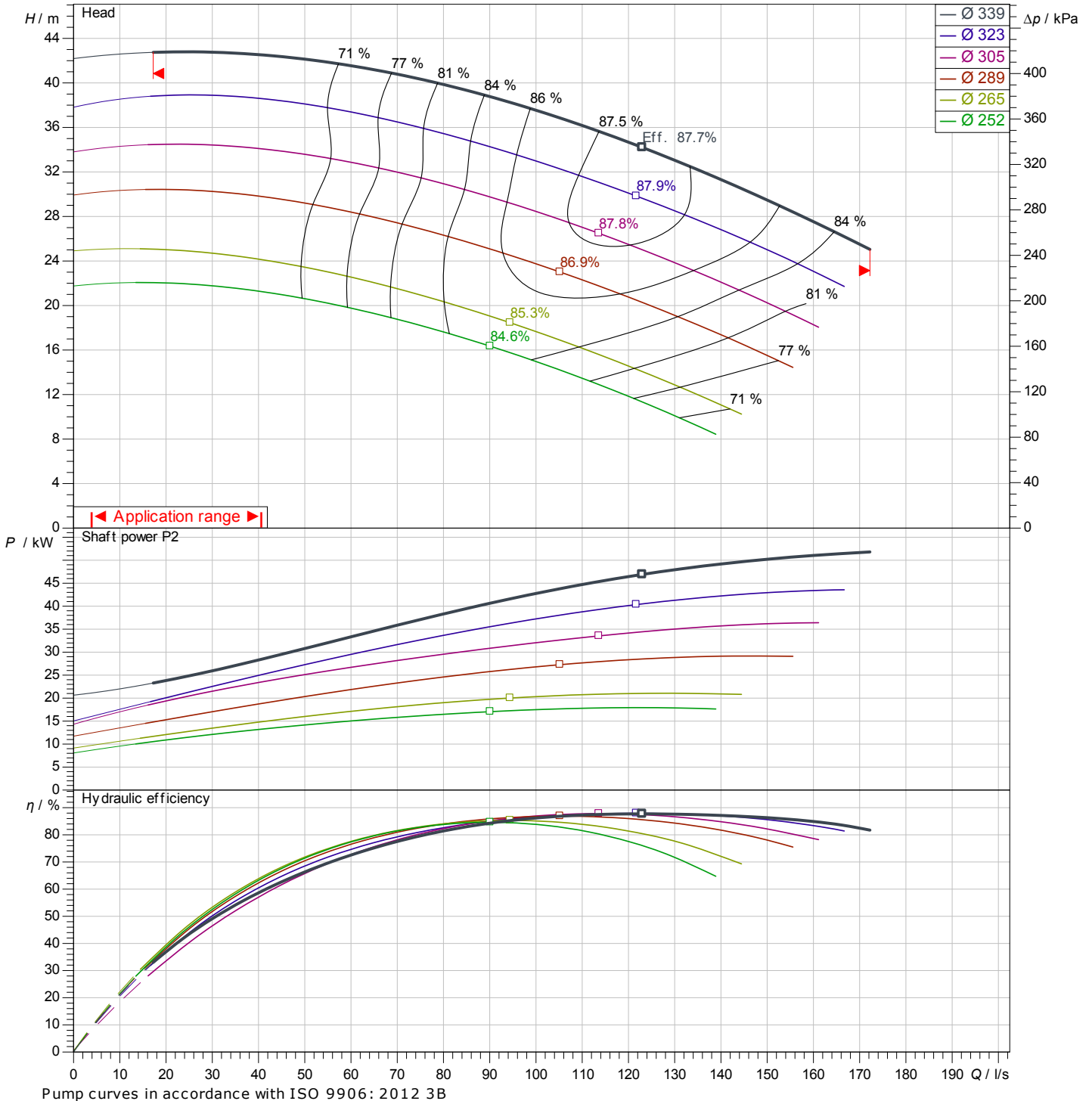
Project name
Installation location
Customer pos. No.

Date 2025-03-03

Operating data

Rotational speed 1485 1/min	Frequency 50 Hz	Duty point Q =	H =	Suction port DN 200	Discharge port DN 150
---------------------------------------	---------------------------	--------------------------	------------	-------------------------------	---------------------------------

Power data referred to: Water; 20°C; 998.3kg/m³; 1.005mm²/s ±10 % tolerance with linear U/f frequency control



Pump curves in accordance with ISO 9906: 2012 3B

Contact
E-mail
Phone

Customer

Contact
E-mail
Phone

Dimensions

Glanded standard pump
Atmos GIGA-N 150/315-55/4-IE4

Project ID Untitled project 2025-03-03 06:26:03.775

Project name
Installation location
Customer pos. No.

Date 2025-03-03



Coupling with spacer

Suction side DN 200, PN 16
Discharge side DN 150, PN 16

Dimensions mm

Name	Value	Name	Value	Name	Value	Name	Value
A	160	H3	403	X	140		
B2	730	L	1,795				
B3	670	L2	320				
DN1	DN 200, PN 16	L3	1,840				
DN2	DN 150, PN 16	L4	1,870				
H	801	S1	350				
H2	400	S4	29				