

Customer

Dimensions

Glanded monobloc pump
BM-S 50/180-1,5/4

Project ID

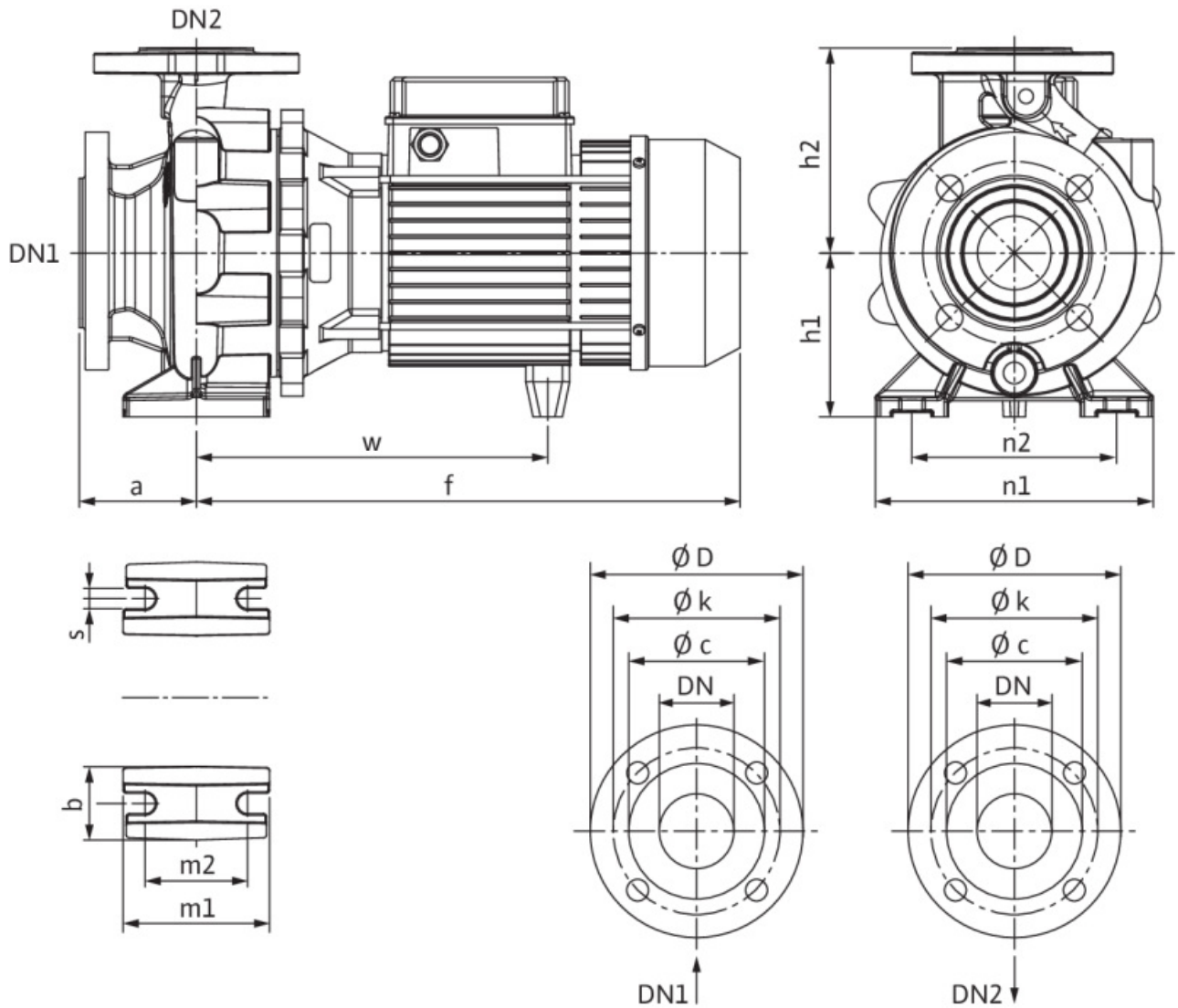
Untitled project 2025-03-01 21:27:50.947

Project name

Installation location

Customer pos. No.

Date 2025-03-01



Standard

Suction side DN 65, PN 10
Discharge side DN 50, PN 10

Dimensions mm

Name	Value	Name	Value	Name	Value	Name	Value
a	100	h2	180	ØD	185		
b	50	m1	100	ØD	165		
dL	18	m2	71	s	13		
DN1	DN 65, PN 10	n1	265	w	273		
DN2	DN 50, PN 10	n2	212				
f	401	Ø k	145				
h1	160	Ø k	125				

Customer

Technical data

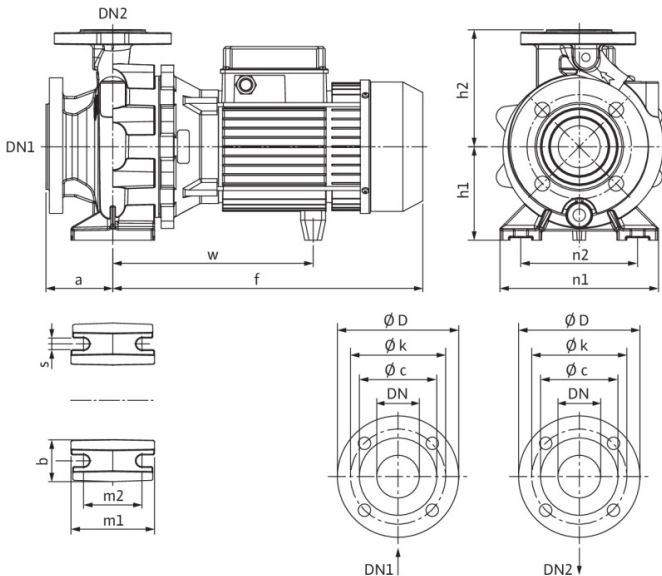
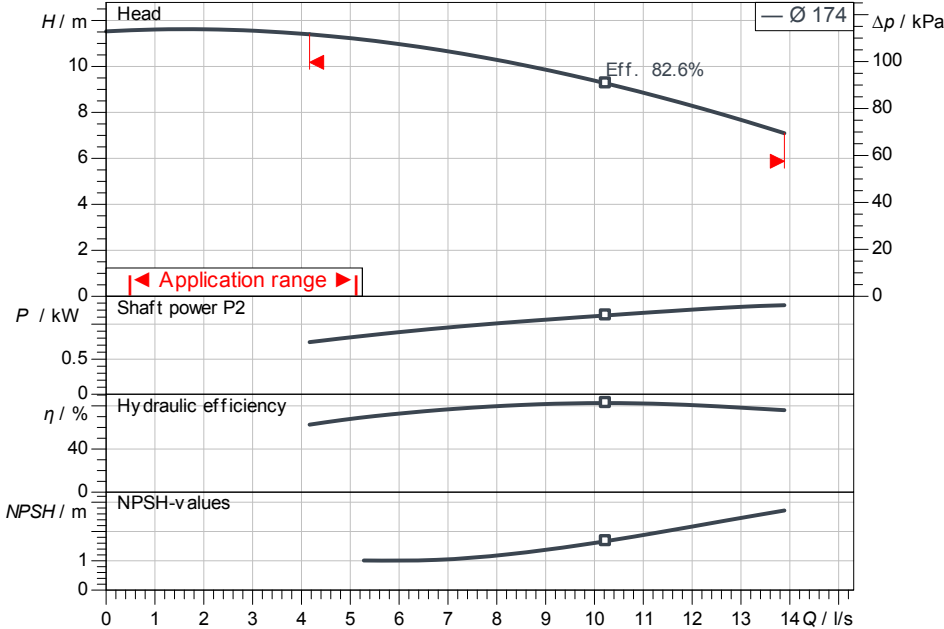
Glanded monobloc pump BM-S 50/180-1,5/4

Project ID: Untitled project 2025-03-01 21:27:50.947

Project name
Installation location
Customer pos. No.

Date: 2025-03-01

Duty chart



Requested data

Flow
Head
Media: Water 100 %
Fluid temperature: 20.00 °C
Density: 998.30 kg/m³
Kin. viscosity: 1.00 mm²/s

Hydraulic data (Duty point)

Flow
Head
Shaft power P2
Hydraulic efficiency
NPSH

Product data

Glanded monobloc pump
BM-S 50/180-1,5/4
Max. operating pressure: 1,000 kPa
Fluid temperature: -10 °C ... +90 °C
Max. ambient temperature: 40 °C
Minimum efficiency index (MEI): ≥ 0.4

Motordata per Motor/Pump

Motor efficiency level: IE3
Mains connection: 3~ 400 V / 50 Hz
Permitted voltage tolerance: + -10 %
Rated speed: 1,450 1/min
Rated power P2: 1.50 kW
Rated current: 3.33 A
Power factor: 0.8
Efficiency: 50% / 75% / 100% → 86.3 / 87 / 86%
Degree of protection: IP55
Insulation class: F
Motor protection: No

Fitting dimensions

Pipe connection on the suction side: DN 65, PN 10
Pipe connection (pressure side): DN 50, PN 10
Port to Port: -

Materials

Pump housing: 1.4408
Impeller: 1.4408
Shaft: 1.4362
Shaft seal: Q1Q1VGG

Information for order placements

Weight approx.: 47 kg
Item number: 2164455



Contact
E-mail
Phone

Customer

Contact
E-mail
Phone

Hydraulic data

Glanded monobloc pump
BM-S 50/180-1,5/4

Project ID: Untitled project 2025-03-01 21:27:50.947

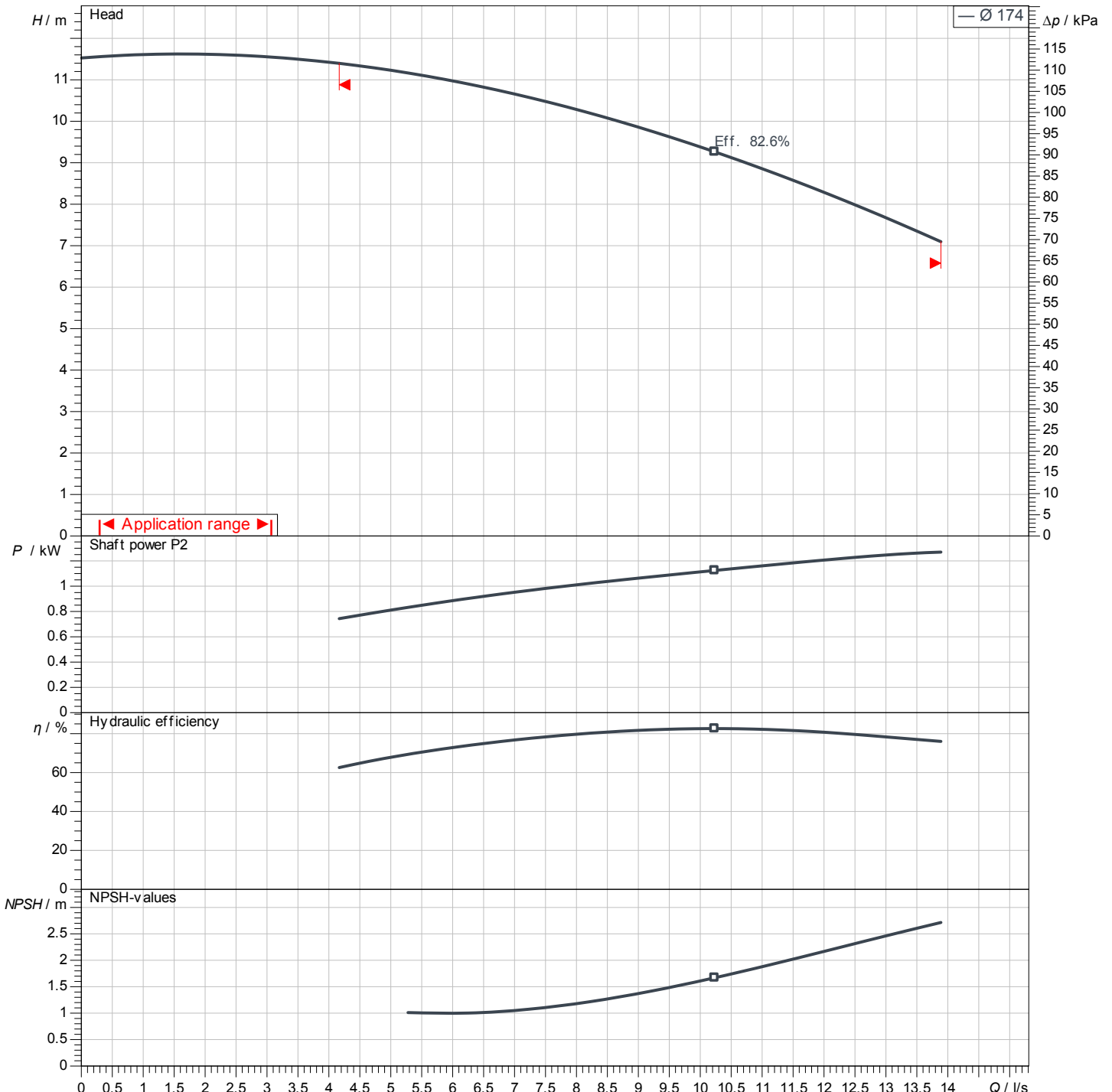
Project name
Installation location
Customer pos. No.

Date: 2025-03-01

Operating data

Rotational speed 1450 1/min	Frequency 50 Hz	Duty point Q =	H =	Suction port DN 65	Discharge port DN 50
---------------------------------------	---------------------------	--------------------------	------------	------------------------------	--------------------------------

Power data referred to: Water; 20°C; 998.3kg/m³; 1.005mm²/s ±10 % tolerance with linear U/f frequency control



No test norm defined for this product