

Customer

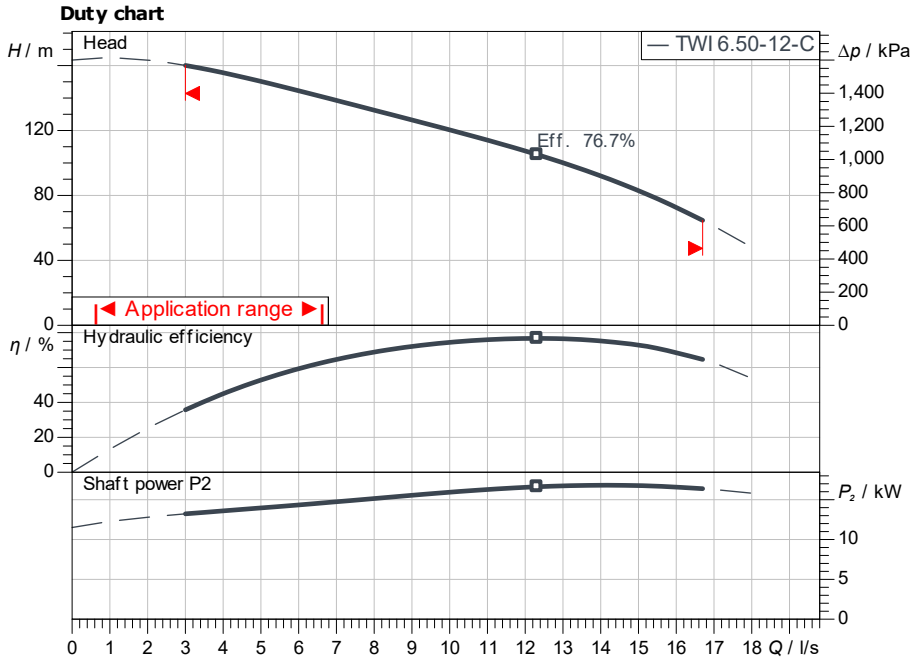
Technical data

Submersible pump Sub TWI 6.50-12-C-SD

Project ID Untitled project 2025-03-17 07:47:37.014

Project name
Installation location
Customer pos. No.

Date 2025-03-17



Requested data

Flow	
Head	
Media	Water 100 %
Fluid temperature	20.00 °C
Density	998.30 kg/m ³
Kin. viscosity	1.00 mm ² /s

Hydraulic data (Duty point)

Flow	
Head	
Shaft power P2	
Hydraulic efficiency	
Power input P1	

Product data

Submersible pump	
Sub TWI 6.50-12-C-SD	
Max. operating pressure	4,000 kPa
Fluid temperature	3 °C ... +30 °C
Minimum efficiency index (MEI)	≥ 0.4
Max. pump diameter	152 mm

Motordata per Motor/Pump

Mains connection	3~400 V / 50 Hz
Type of motor	Submersible motor

Activation type	Star-Delta (YΔ)
Min. flow at the motor	0.1 m/s
Motor diameter	136.7 mm
Permitted voltage tolerance	+5 %
Nominal speed	2,850 1/min
Rated power P2	18.50 kW
Rated current	40.00 A
Power factor	0.82
Degree of protection	IP68
Insulation class	F

Cable

Length of connecting cable	4 m
Cable type	2x 4G4

Fitting dimensions

Discharge size	Rp 3
Flange standard	-

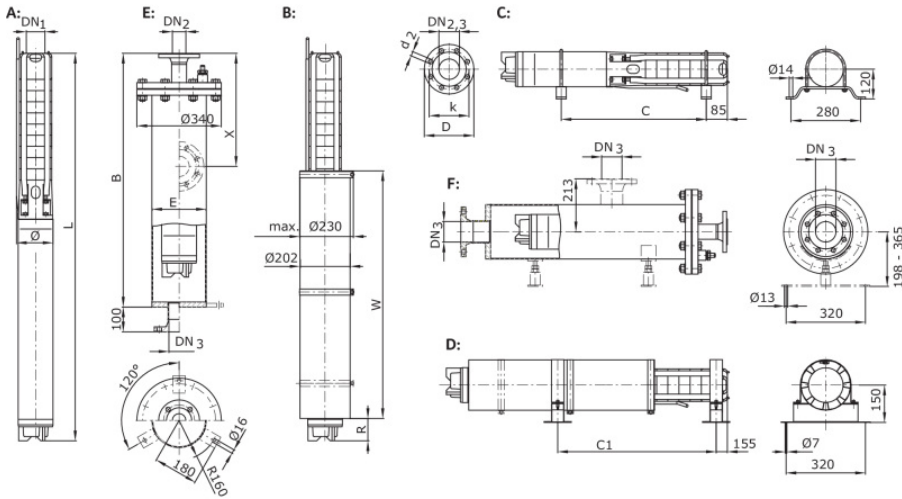
Materials

Pump housing	1.4301
Motor housing	5.1301/EN-GJL-250
Shaft	1.4057
Impeller	1.4301

Information for order placements

Weight approx.	95 kg
Item number	6075264

Approval



Dimensions

mm

B	2,850	L	2,468
c	1,960	W	1,000
C1	1,917		
e	219.1		