

**Customer**

## Technical data

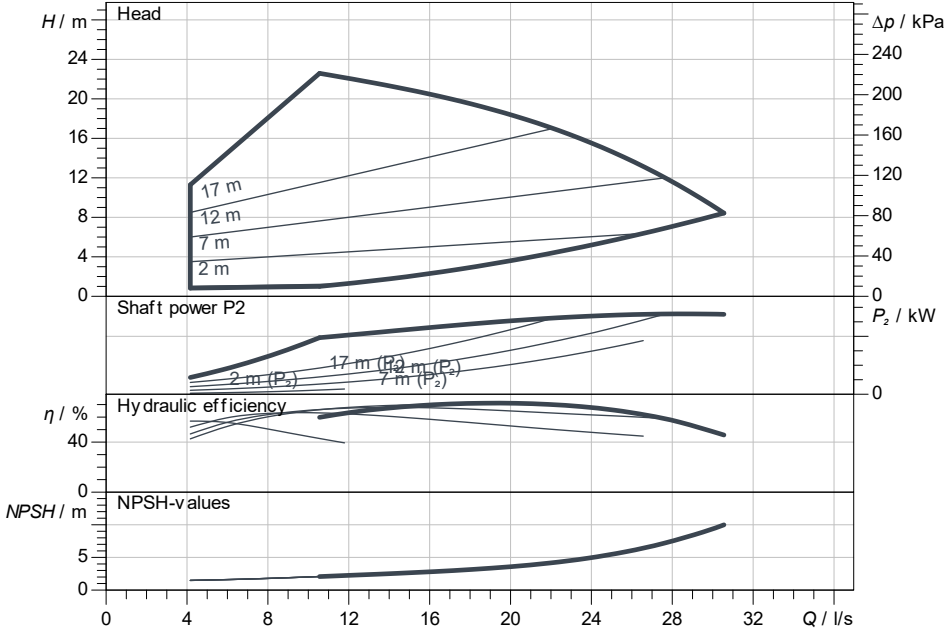
### High-pressure multistage centrifugal pump MVIE 7001-3/25/E/3-2-2G

Project ID: Untitled project 2025-03-03 23:00:00.495

Project name  
Installation location  
Customer pos. No.

Date: 2025-03-03

#### Duty chart

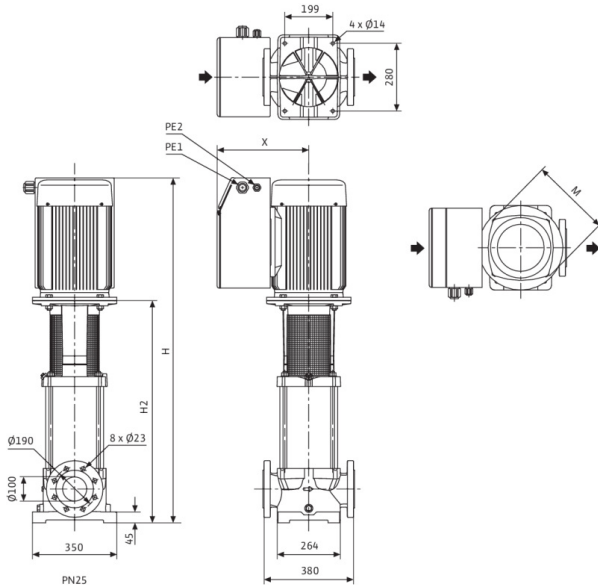


ISO 9906: 2012 3B

#### Dimensions

H	939
H2	559
ØM	262
X	296
X	308

mm



#### Requested data

Flow	
Head	
Media	Water 100 %
Fluid temperature	20.00 °C
Density	998.30 kg/m <sup>3</sup>
Kin. viscosity	1.00 mm <sup>2</sup> /s

#### Hydraulic data (Duty point)

Flow	
Head	
Shaft power P2	
Hydraulic efficiency	
NPSH	

#### Product data

High-pressure multistage centrifugal pump MVIE 7001-3/25/E/3-2-2G	
Max. operating pressure	2,500 kPa
Inlet pressure max.	10 bar
Fluid temperature	-15 °C ... +120 °C
Max. ambient temperature	50 °C
Minimum efficiency index (MEI)	≥ 0.4

#### Motordata per Motor/Pump

Motor efficiency level	IE4
Mains connection	3~ 400 V / 50 Hz
Permitted voltage tolerance	400/50: +/- 10%, 380/6
Rated speed	2,900 1/min
Rated power P2	5.50 kW
Rated current	5.60 A
Power factor	
Service factor	1.15
Degree of protection	IP55
Insulation class	F
Motor protection	

#### Fitting dimensions

Pipe connection on the suction side	DN 100, PN 25
Pipe connection (pressure side)	DN 100, PN 25

#### Materials

Pump housing	5.1301/EN-GJL-250
Impeller	1.4408
Shaft	1.4057
Shaft seal	U3BE3GG
Gasket material	EPDM

#### Information for order placements

Weight approx.	133.9 kg
Item number	4122319