

Customer

Technical data

Submersible sewage pump

Rexa FIT-V06-628A/41T025-540/O

Project ID

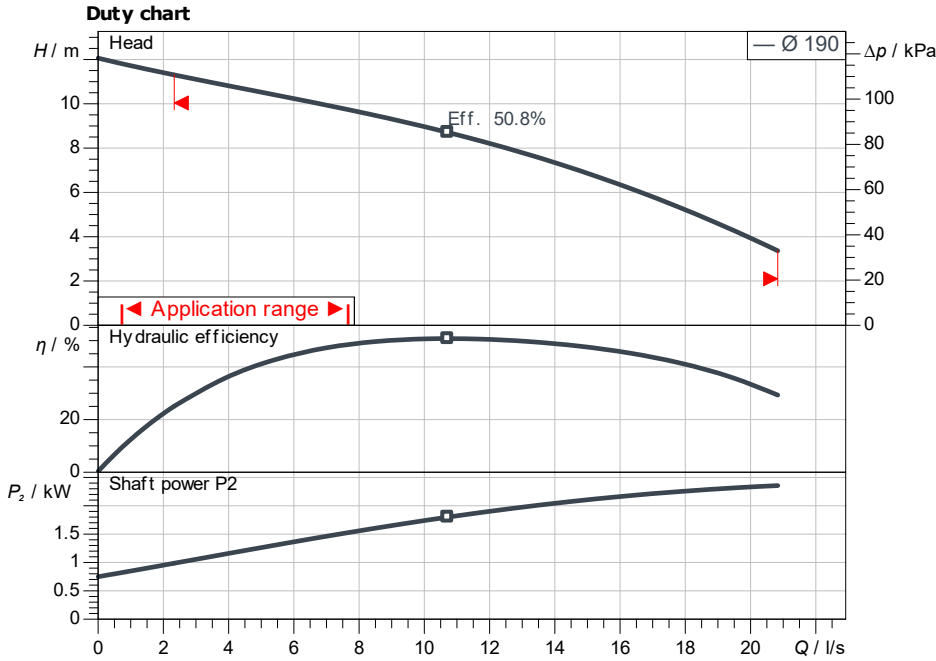
Untitled project 2025-03-04 01:04:54.425

Project name

Installation location

Customer pos. No.

Date 2025-03-04



Requested data

Flow	
Head	
Media	Water 100 %
Fluid temperature	20.00 °C
Density	998.30 kg/m ³
Kin. viscosity	1.00 mm ² /s

Hydraulic data (Duty point)

Flow	
Head	
Power input P1	
Total efficiency	

Product data

Submersible sewage pump	
Rexa FIT-V06-628A/41T025-540/O	
Max. operating pressure	130 kPa
Fluid temperature	+3 °C ... 40 °C
Maximum submergence depth	7 m
Free ball passage	65 mm
Impeller type	Vortex impeller

Motordata per Motor/Pump

S 13.L-13/EAD1-4-T 2,5kW 40°C 400V 50Hz	
Type of motor	Submersible motor – su

Mains connection	3~ 400 V / 50 Hz
Permitted voltage tolerance	+10 %
Nominal speed	1,402 1/min
Rated power P2	2.50 kW
Power input P1	3.25 kW
Rated current	5.80 A
Activation type	Direct On Line (DOL)
Degree of protection	IP68
Explosion protection type	-
Motor protection	Bimetall
Insulation class	F
Operating mode (immersed)	S1
Operating mode (non-immersed)	S2-15 min, S3-10%

Cable

Length of connecting cable	10 m
Cable type	H07RN-F
Cable cross section	6G1
Mains plug	No
Type of connection cable	Detachable

Fitting dimensions

Pipe connection on the suction side	DN 65, PN 10
Pipe connection (pressure side)	DN 65/80, PN 10

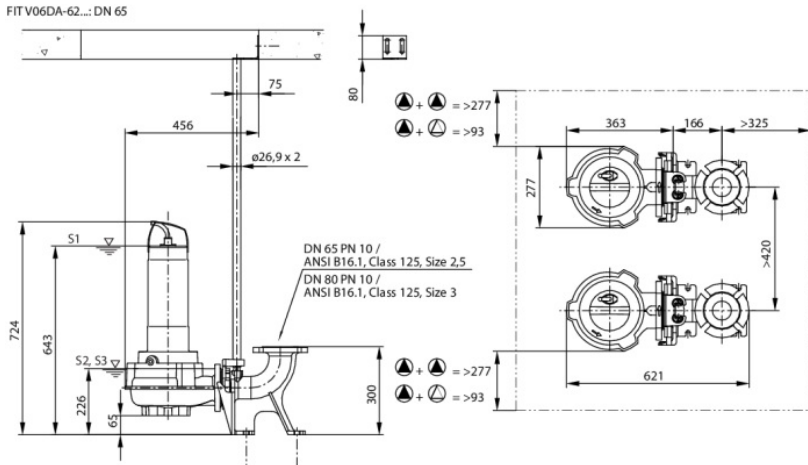
Materials

Pump housing	5.1301/EN-GJL-250
Impeller	5.1301/EN-GJL-250
Shaft	1.4021
Sealing on pump side	QQPGG
Sealing on motor side	BXPFF
Gasket material	NBR
Motor housing	1.4301

Information for order placements

Weight approx.	53 kg
Item number	6098188

FIT V06DA-62... DN 65



FIT V06DA-62... DN 80

