

Customer

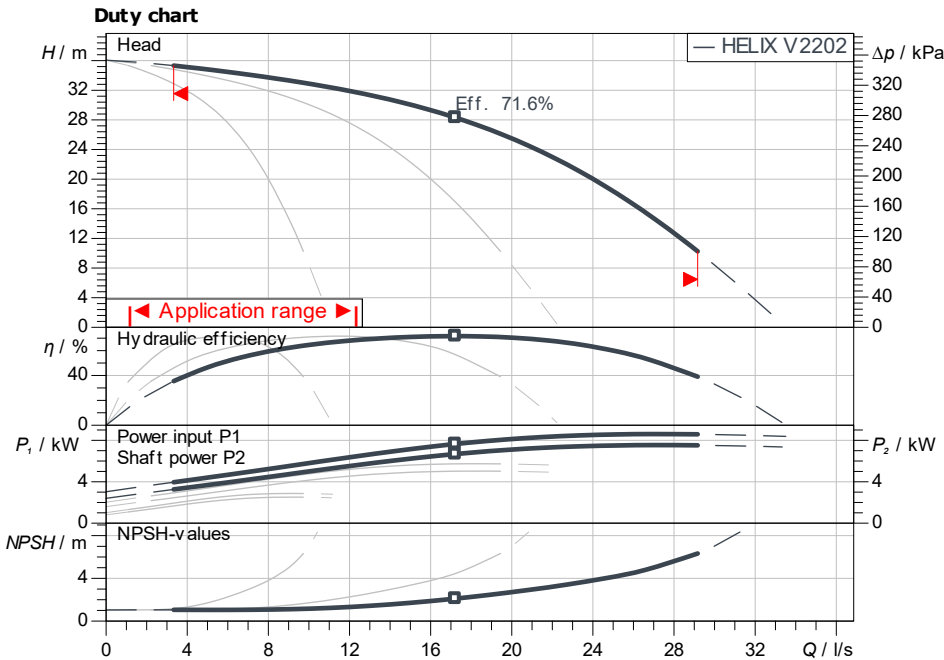
Technical data

Multi-pump system SiBoost Smart 3 Helix V 2202

Project ID: Untitled project 2025-03-04 01:04:54.425

Project name
Installation location
Customer pos. No.

Date: 2025-03-04



Requested data

Flow	
Head	
Media	Water 100 %
Fluid temperature	20.00 °C
Density	998.30 kg/m ³
Kin. viscosity	1.00 mm ² /s

Hydraulic data (Duty point)

Flow	
Head	
Shaft power P2	

Product data

Multi-pump system
SiBoost Smart 3 Helix V 2202

No. of pumps	3
Max. operating pressure	1,600 kPa
Inlet pressure max.	1,000
Fluid temperature	3 °C ... +50 °C
Max. ambient temperature	40 °C
Protection class system	IP55
Protection class of switchgear	IP54
Diaphragm pressure vessel	Yes
Low-water cut-out switchgear	No

Motordata per Motor/Pump

Motor efficiency level	IE3
Mains connection	3~ 400 V / 50 Hz
Permitted voltage tolerance	+/-10 %
Rated speed	2,900 1/min
Rated power P2	3.00 kW
Rated current	5.50 A
Power factor	0.9
Efficiency	
50% / 75% / 100%	85.4/87.1/87.1%
Degree of protection	IP55
Insulation class	F
Motor protection	Yes

Fitting dimensions

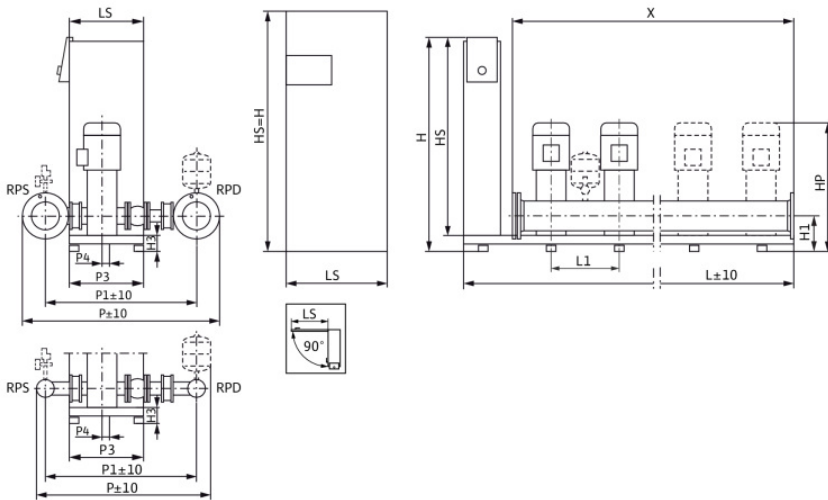
Pipe connection on the suction side	DN 100, PN 10
Pipe connection (pressure side)	DN 100, PN 16

Materials

Pump housing	5.1301/EN-GJL-250
Impeller	1.4307
Shaft	1.4057
Shaft seal	Q1BE3GG
Gasket material	EPDM
Pipework material	1.4307

Information for order placements

Weight approx.	338 kg
Item number	2540724



Dimensions

mm

DNd	DN 100,	H3	105	LS	150	X	900
DNs	DN 100,	HP	855	P	1,210		
H	1,055	HS	950	P1	990		
H1	195	L	1,150	P3	420		
H2	332.2	L1	300	P4	30		

Contact
E-mail
Phone

Customer

Contact
E-mail
Phone

Dimensions

Multi-pump system

SiBoost Smart 3 Helix V 2202

Project ID Untitled project 2025-03-04 01:04:54.425

Project name
Installation location
Customer pos. No.

Date 2025-03-04



Standard

Suction side DN 100, PN 10/PN 16
Discharge side DN 100, PN 10/PN 16

Dimensions mm

Name	Value	Name	Value	Name	Value	Name	Value
DNd	DN 100, PN 16	HS	950	P4	30		
DNs	DN 100, PN 10	L	1,150	X	900		
H	1,055	L1	300				
H1	195	LS	150				
H2	332.2	P	1,210				
H3	105	P1	990				
HP	855	P3	420				