

**Customer**

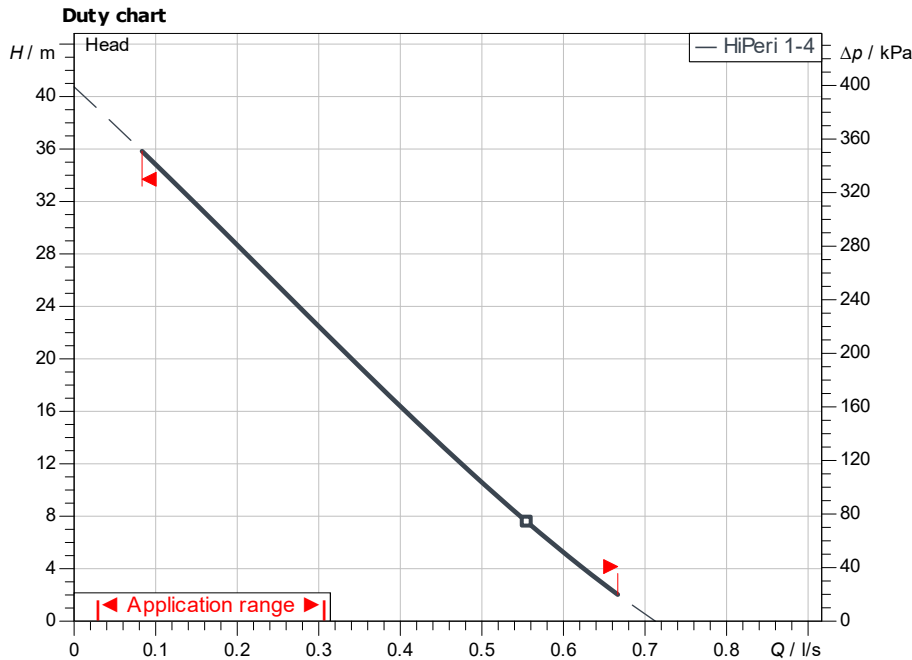
## Technical data

### Non self-priming multistage centrifugal pump HiPeri 1-4

Project ID Untitled project 2025-03-03 15:12:38.853

Project name  
Installation location  
Customer pos. No.

Date 2025-03-03



**Requested data**

Flow  
Head  
Media Water 100 %  
Fluid temperature 20.00 °C  
Density 998.30 kg/m<sup>3</sup>  
Kin. viscosity 1.00 mm<sup>2</sup>/s

**Hydraulic data (Duty point)**

Flow  
Head

**Product data**

Non self-priming multistage centrifugal pump  
HiPeri 1-4  
Max. operating pressure 650 kPa  
Inlet pressure max. 110 kPa  
Fluid temperature 5 °C ... +60 °C  
Max. ambient temperature 40 °C

**Motordata per Motor/Pump**

Mains connection 1~ 230 V / 50 Hz  
Permitted voltage tolerance +-10 %  
Max. speed 2,900 1/min  
Rated power P2 0.37 kW  
Rated current 2.50 A  
0  
Degree of protection X4  
Insulation class F  
Motor protection No

**Fitting dimensions**

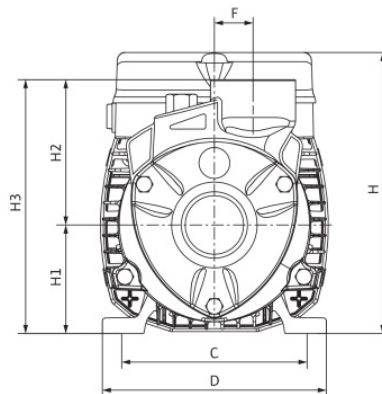
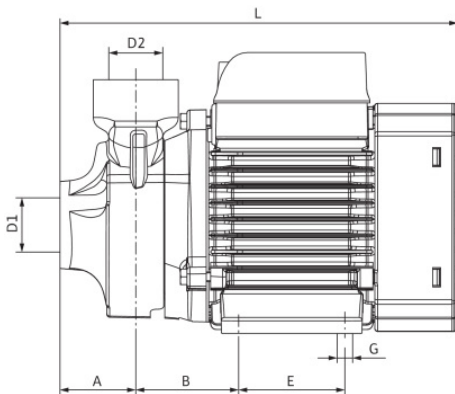
Pipe connection on the suction side Rp 1, PN 6  
Pipe connection (pressure side) Rp 1, PN 6

**Materials**

Pump housing EN-GJL-200  
Impeller Brass, CW617N  
Shaft 1.4104  
Shaft seal BV PFF  
Gasket material NBR

**Information for order placements**

Weight approx. 5 kg  
Item number 4186197



**Dimensions**

mm

|    |      |    |      |    |     |
|----|------|----|------|----|-----|
| A  | 39   | D2 | Rp 1 | H1 | 56  |
| B  | 53   | e  | 55   | H2 | 75  |
| c  | 96   | f  | 20   | H3 | 131 |
| D  | 118  | G  | 7    | L  | 207 |
| D1 | Rp 1 | H  | 145  |    |     |