

**Customer**

## Technical data

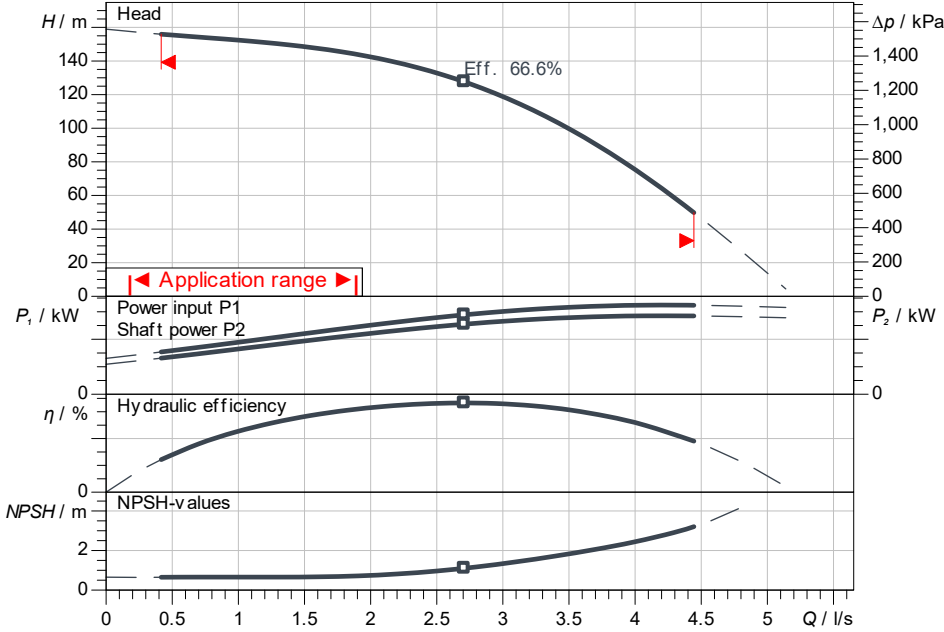
### High-pressure multistage centrifugal pump Helix V 1015-1/25/E/KS/400-50

Project ID                      Untitled project 2025-03-03 15:12:38.853

Project name  
Installation location  
Customer pos. No.

Date                      2025-03-03

#### Duty chart

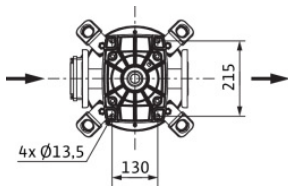


ISO 9906: 2012 3B

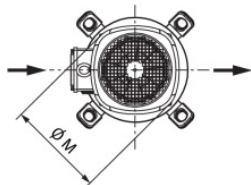
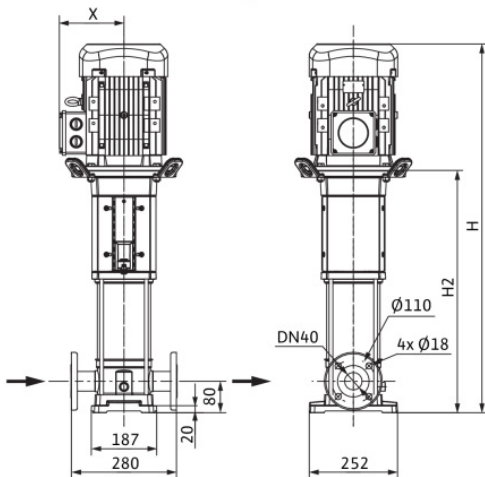
#### Dimensions

H	1,29
H2	962
ØM	210
X	149
X	149

mm



PN25



#### Requested data

Flow	
Head	
Media	Water 100 %
Fluid temperature	20.00 °C
Density	998.30 kg/m <sup>3</sup>
Kin. viscosity	1.00 mm <sup>2</sup> /s

#### Hydraulic data (Duty point)

Flow	
Head	
Shaft power P2	
Hydraulic efficiency	
NPSH	

#### Product data

High-pressure multistage centrifugal pump Helix V 1015-1/25/E/KS/400-50	
Max. operating pressure	2,500 kPa
Inlet pressure max.	10 bar
Fluid temperature	-30 °C ... +120 °C
Max. ambient temperature	50 °C
Minimum efficiency index (MEI)	≥ 0.7

#### Motordata per Motor/Pump

Motor efficiency level	IE3
Mains connection	3~ 400 V / 50 Hz
Permitted voltage tolerance	+10 %
Max. speed	2,900 1/min
Rated power P2	5.50 kW
Rated current	10.50 A
Power factor	0.86
Service factor	1.15
Efficiency	50% / 75% / 100%
50% / 75% / 100%	87.1/89/89.2%
Degree of protection	IP55
Insulation class	F
Motor protection	No

#### Fitting dimensions

Pipe connection on the suction side	DN 40, PN 25
Pipe connection (pressure side)	DN 40, PN 25

#### Materials

Pump housing	1.4301
Impeller	1.4307
Shaft	1.4301
Shaft seal	BQ7EGG
Gasket material	EPDM

#### Information for order placements

Weight approx.	73 kg
Item number	4150563