

Customer

Technical data

Multi-pump system

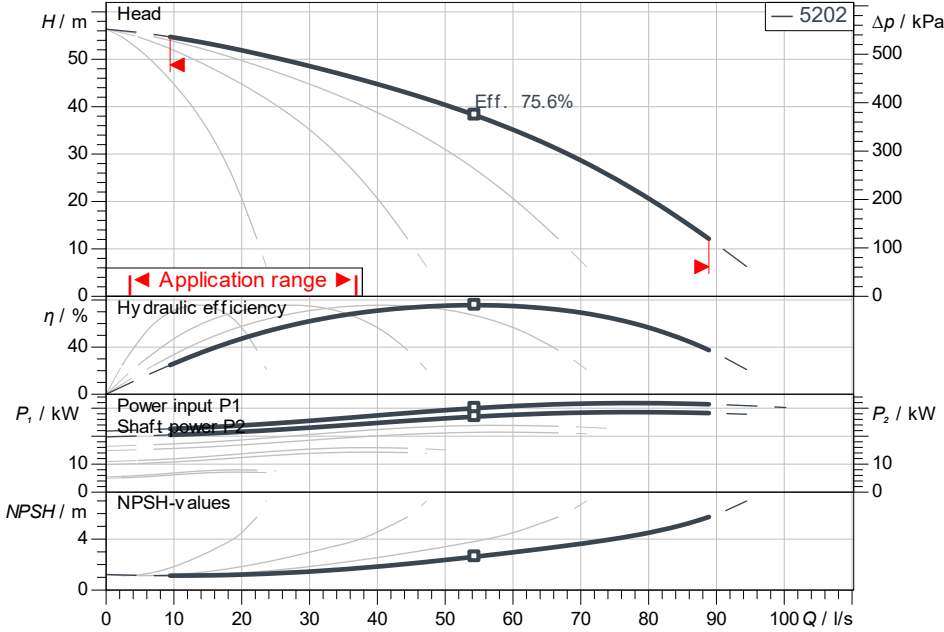
SiBoost Smart 4 Helix V 5202

Project ID: Untitled project 2025-03-04 01:04:54.425

Project name
Installation location
Customer pos. No.

Date: 2025-03-04

Duty chart



Requested data

Flow	
Head	
Media	Water 100 %
Fluid temperature	20.00 °C
Density	998.30 kg/m ³
Kin. viscosity	1.00 mm ² /s

Hydraulic data (Duty point)

Flow	
Head	
Shaft power P ₂	

Product data

Multi-pump system
SiBoost Smart 4 Helix V 5202

No. of pumps	4
Max. operating pressure	1,600 kPa
Inlet pressure max.	1,000
Fluid temperature	3 °C ... +50 °C
Max. ambient temperature	40 °C
Protection class system	IP55
Protection class of switchgear	IP54
Diaphragm pressure vessel	Yes
Low-water cut-out switchgear	No

Motordata per Motor/Pump

Motor efficiency level	IE3
Mains connection	3~ 400 V / 50 Hz
Permitted voltage tolerance	+/-10 %
Rated speed	2,900 1/min
Rated power P ₂	7.50 kW
Rated current	13.70 A
Power factor	0.88
Efficiency	50% / 75% / 100%
Degree of protection	IP55
Insulation class	F
Motor protection	Yes

Fitting dimensions

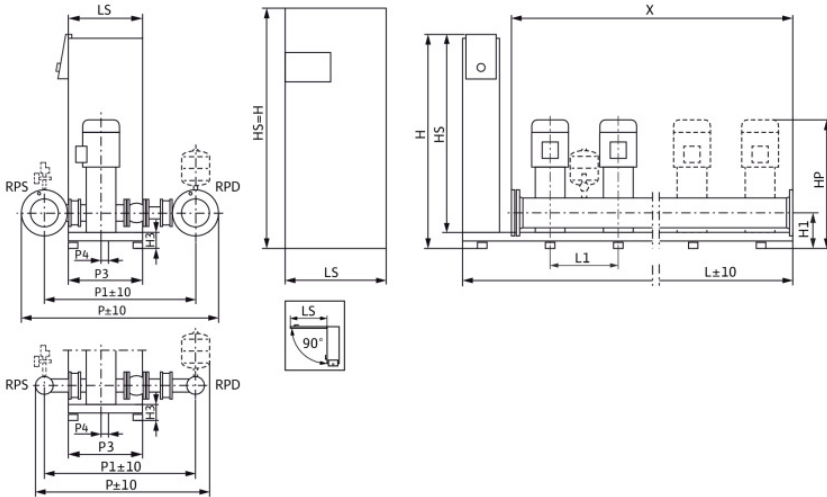
Pipe connection on the suction side	DN 200, PN 16
Pipe connection (pressure side)	DN 200, PN 16

Materials

Pump housing	5.1301/EN-GJL-250
Impeller	1.4307
Shaft	1.4057
Shaft seal	Q1BE3GG
Gasket material	EPDM
Pipework material	1.4307

Information for order placements

Weight approx.	785 kg
Item number	2540838



Dimensions

mm

DNd	DN 200,	H3	105	LS	250	X	2,000
DNs	DN 200,	HP	1,103	P	1,456		
H	1,405	HS	1,300	P1	1,116		
H1	245	L	2,250	P3	420		
H2	434.5	L1	500	P4	30		

Contact
E-mail
Phone

Customer

Contact
E-mail
Phone

Dimensions

Multi-pump system

SiBoost Smart 4 Helix V 5202

Project ID

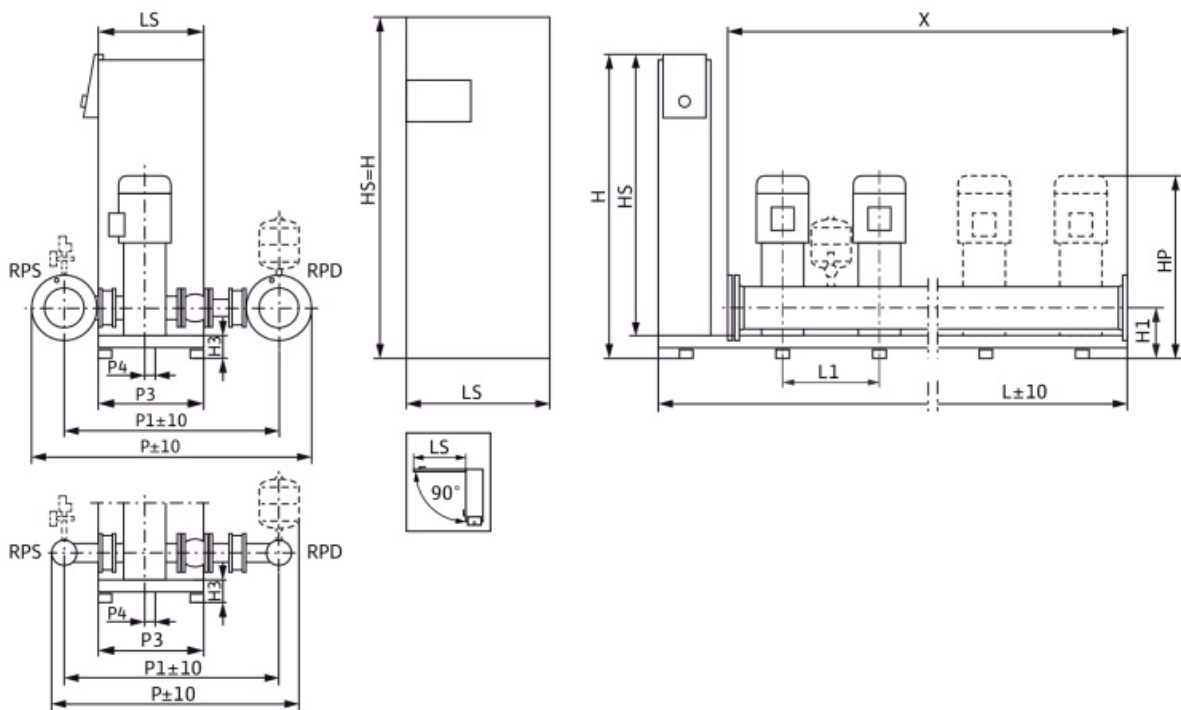
Untitled project 2025-03-04 01:04:54.425

Project name

Installation location

Customer pos. No.

Date 2025-03-04



Standard

Suction side DN 200, PN 16
Discharge side DN 200, PN 16

Dimensions mm

Name	Value	Name	Value	Name	Value	Name	Value
DNd	DN 200, PN 16	HS	1,300	P4	30		
DNs	DN 200, PN 16	L	2,250	X	2,000		
H	1,405	L1	500				
H1	245	LS	250				
H2	434.5	P	1,456				
H3	105	P1	1,116				
HP	1,103	P3	420				