

Customer

Technical data

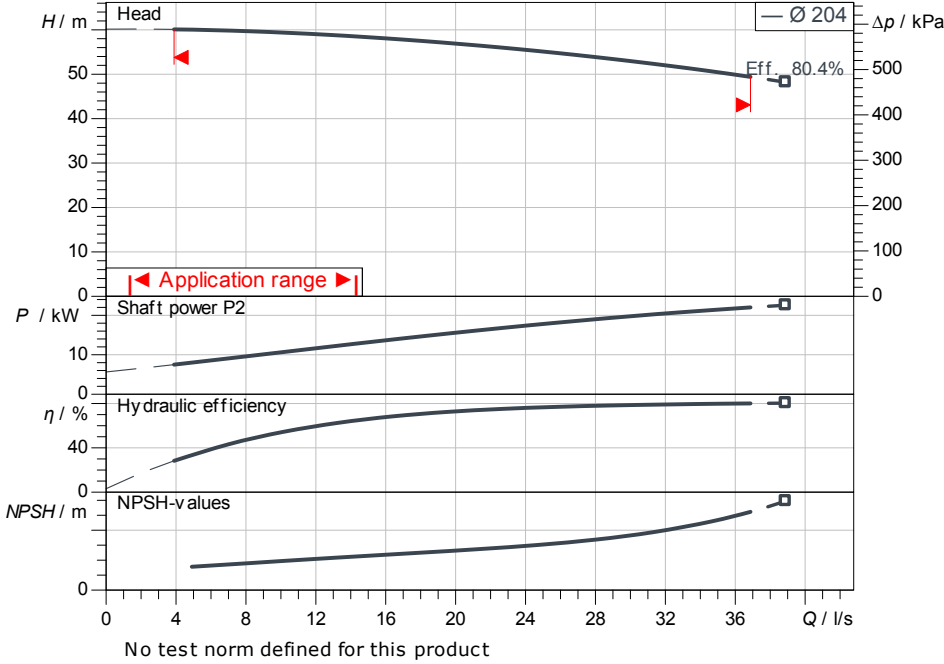
Glanded monobloc pump Atmos BST 65/200-22/2-H12-V2

Project ID: Untitled project 2025-03-01 17:12:44.130

Project name
Installation location
Customer pos. No.

Date: 2025-03-01

Duty chart



Requested data

Flow
Head
Media: Water 100 %
Fluid temperature: 20.00 °C
Density: 998.30 kg/m³
Kin. viscosity: 1.00 mm²/s

Hydraulic data (Duty point)

Flow
Head
Shaft power P_2
Hydraulic efficiency
NPSH
Impeller size: 204

Product data

Glanded monobloc pump
Atmos BST 65/200-22/2-H12-V2
Max. operating pressure: 1,000 kPa
Fluid temperature: -20 °C ... +120 °C
Max. ambient temperature: 50 °C
Minimum efficiency index (MEI): ≥ 0.4

Motordata per Motor/Pump

Motor efficiency level: IE3
Mains connection: 3~ 400 V / 50 Hz
Permitted voltage tolerance: +6 %
Max. speed: 2,900 1/min
Rated power P_2 : 22.00 kW
Rated current: 38.50 A
Power factor: 0.89
Efficiency: 50% / 75% / 100% // %
Degree of protection: IP55
Insulation class: F
Motor protection

Fitting dimensions

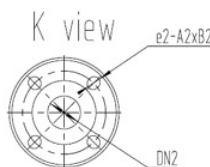
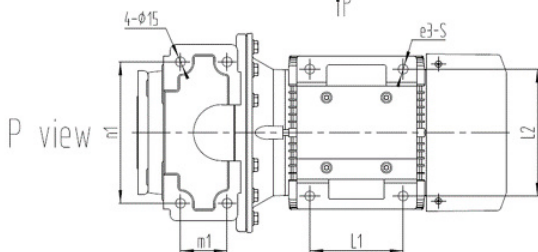
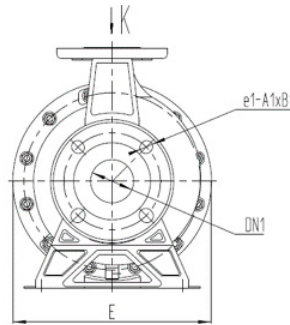
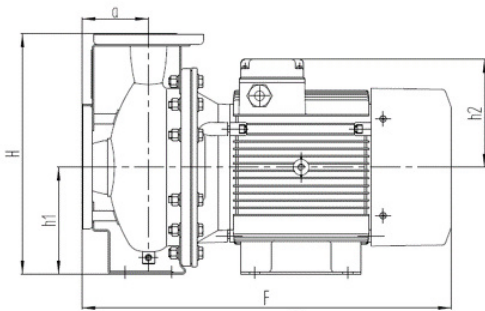
Pipe connection on the suction side: DN 80, PN 16
Pipe connection (pressure side): DN 65, PN 16
Port to Port

Materials

Pump housing: 1.4401
Impeller: 1.4401
Shaft: 1.4401
Shaft seal: B3Q1EG

Information for order placements

Weight approx.
Item number: 9187173



Dimensions

mm

A	100	dL	18	H	405	M1	95
A1	18	DN1	DN 80, P	H1	180	n1	250
A2	18	DN2	DN 65, P	H2	270	Ø k	160
B1	20	E	356	L1	241	Ø d	118
B2	20	F	776	L2	279	Ø D	200



Contact
E-mail
Phone

Customer

Contact
E-mail
Phone

Hydraulic data

Glanded monobloc pump
Atmos BST 65/200-22/2-H12-V2

Project ID: Untitled project 2025-03-01 17:12:44.130

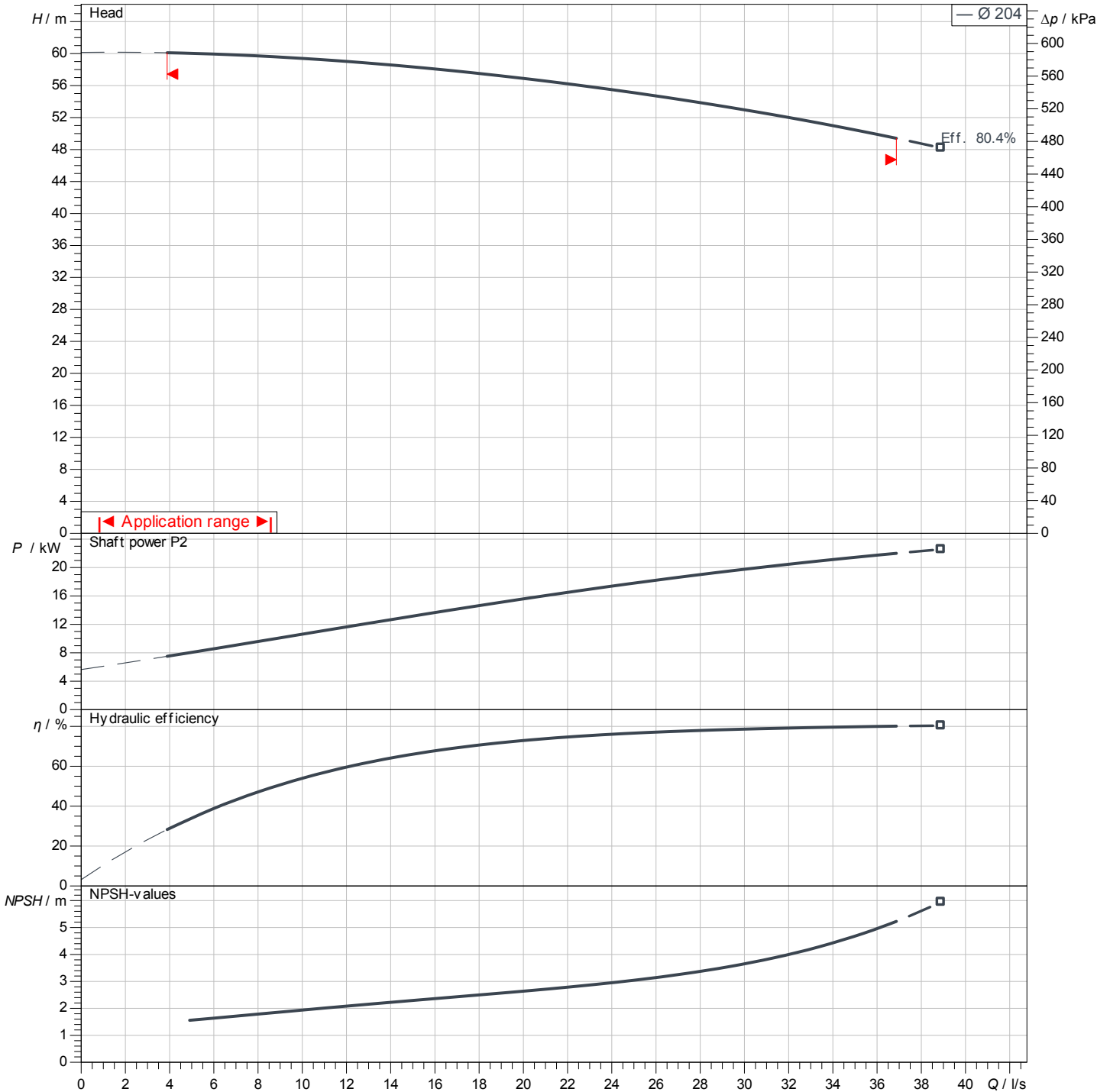
Project name
Installation location
Customer pos. No.

Date: 2025-03-01

Operating data

Rotational speed 2957 1/min	Frequency 50 Hz	Duty point Q =	H =	Suction port DN 80	Discharge port DN 65
---------------------------------------	---------------------------	--------------------------	------------	------------------------------	--------------------------------

Power data referred to: Water; 20°C; 998.3kg/m³; 1.005mm²/s ±10 % tolerance with linear U/f frequency control



No test norm defined for this product

Contact
E-mail
Phone

Customer

Contact
E-mail
Phone

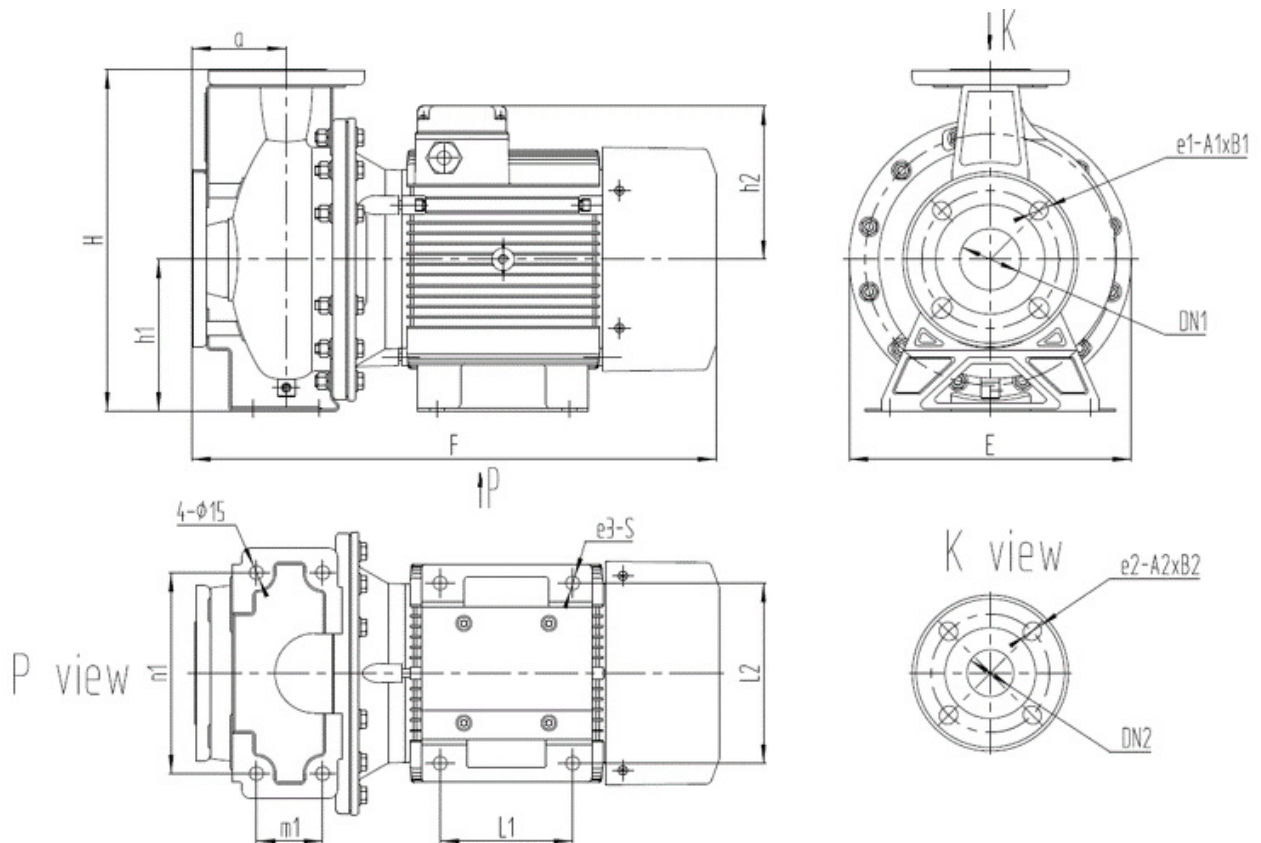
Dimensions

Glanded monobloc pump
Atmos BST 65/200-22/2-H12-V2

Project ID Untitled project 2025-03-01 17:12:44.130

Project name
Installation location
Customer pos. No.

Date 2025-03-01



Standard

Suction side DN 80, PN 16
Discharge side DN 65, PN 16

Dimensions mm

Name	Value	Name	Value	Name	Value	Name	Value
A	100	DN2	DN 65, PN 16	L2	279		
A1	18	E	356	M1	95		
A2	18	F	776	n1	250		
B1	20	H	405	Ø k	160		
B2	20	H1	180	Ø d	118		
dL	18	H2	270	Ø D	200		
DN1	DN 80, PN 16	L1	241				