

Customer

Technical data

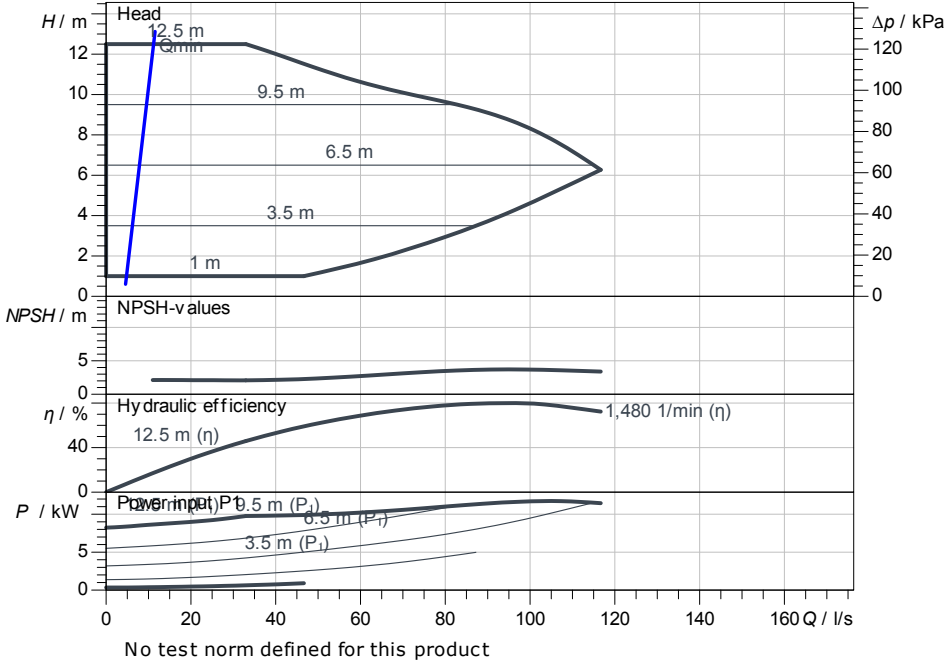
Glanded standard high-efficiency pump Yonos GIGA-N 150/250-11/4-R1

Project ID: Untitled project 2025-03-04 09:37:01.987

Project name
Installation location
Customer pos. No.

Date: 2025-03-04

Duty chart



Requested data

Flow
Head
Media: Water 100 %
Fluid temperature: 20.00 °C
Density: 998.30 kg/m³
Kin. viscosity: 1.00 mm²/s

Hydraulic data (Duty point)

Flow
Head
Shaft power P₂
Hydraulic efficiency
NPSH
Impeller size

Product data

Glanded standard high-efficiency pump
Yonos GIGA-N 150/250-11/4-R1
Max. operating pressure: 1,600 kPa
Fluid temperature: -20 °C ... +140 °C
Max. ambient temperature: 40 °C
Minimum efficiency index (MEI): ≥ 0.4

Motor data per Motor/Pump

Motor efficiency level: IE4
Mains connection: 3~ 400 V / 50 Hz
Permitted voltage tolerance: +10 %
Max. speed: 1,480 1/min
Rated power P₂: 11.00 kW
Rated current: 18.30 A
Power factor: 0.92
Efficiency: 50% / 75% / 100% // %
Degree of protection: IP55
Insulation class: F
Motor protection: PTC integrated

Fitting dimensions

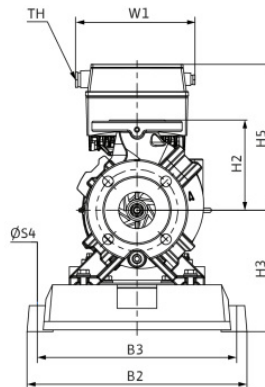
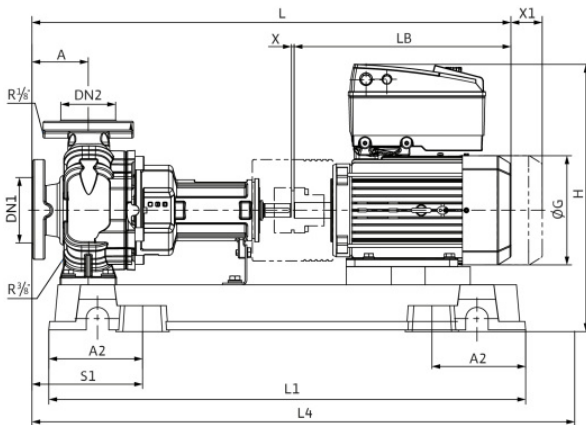
Pipe connection on the suction side: DN 200, PN 16
Pipe connection (pressure side): DN 150, PN 16
Port to Port

Materials

Pump housing: 5.1301/EN-GJL-250
Impeller: EN-GJL-200
Lantern: 5.1301/EN-GJL-250
Shaft: 1.4021
Shaft seal: AQ1EGG

Information for order placements

Weight approx.: 500 kg
Item number: 6089024



Dimensions

mm

A	160	DN1	DN 200,	H5	525	L3	1,060
A2	290	DN2	DN 150,	HH	531	L4	1,670
B1	0	H	928	L	1,516	LB	686.5
B2	660	H2	375	L1	1,640	LL	441
B3	600	H3	403	L2	290	ØG	355



Contact
E-mail
Phone

Customer

Contact
E-mail
Phone

Hydraulic data

Glanded standard high-efficiency pump
Yonos GIGA-N 150/250-11/4-R1

Project ID: Untitled project 2025-03-04 09:37:01.987

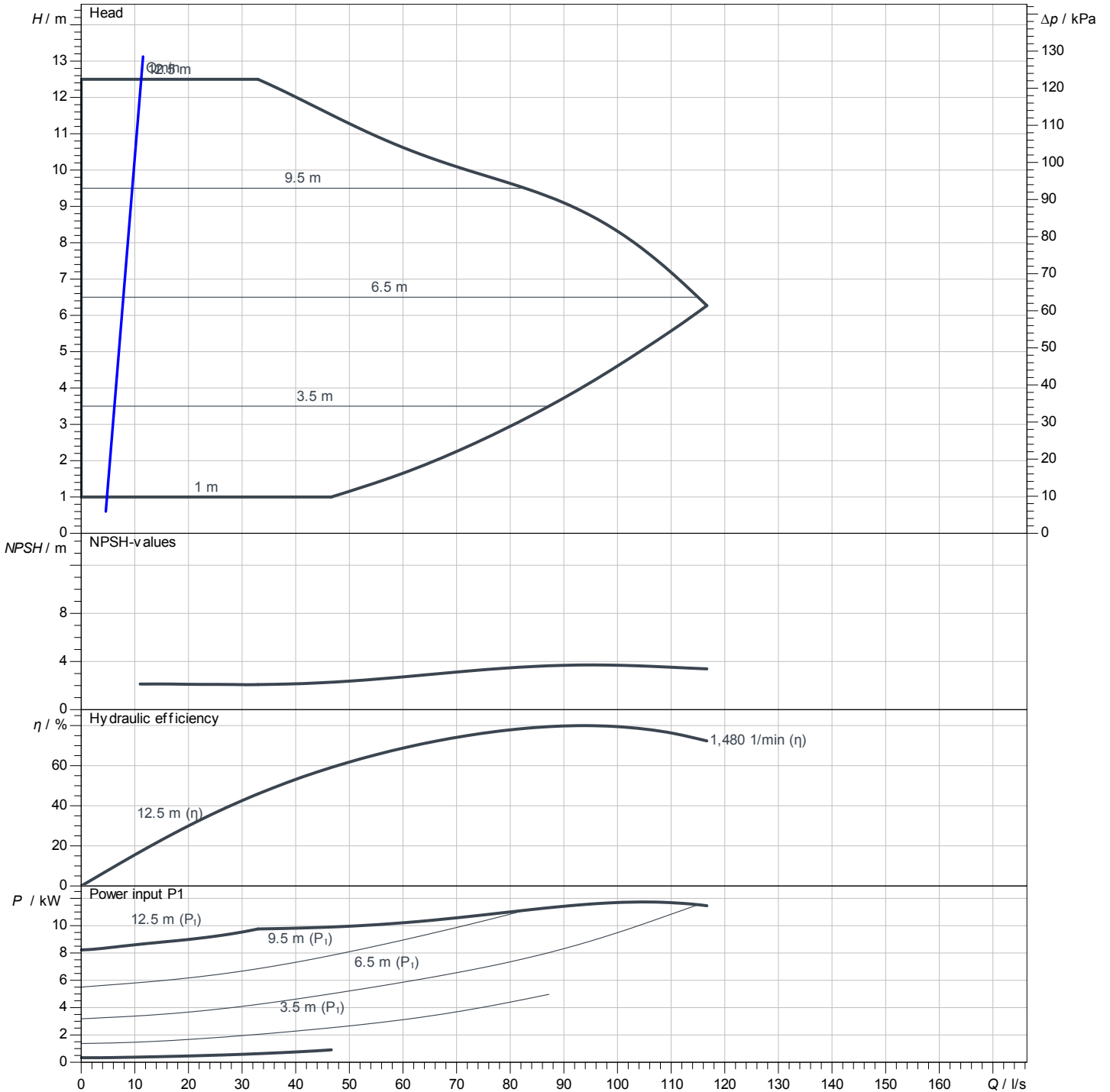
Project name
Installation location
Customer pos. No.

Date 2025-03-04

Operating data

Rotational speed 1480 1/min	Frequency 50 Hz	Duty point Q =	H =	Suction port DN 200	Discharge port DN 150
---------------------------------------	---------------------------	--------------------------	------------	-------------------------------	---------------------------------

Power data referred to: Water; 20°C; 998.3kg/m³; 1.005mm²/s ±10 % tolerance with linear U/f frequency control



No test norm defined for this product

Contact
E-mail
Phone

Customer

Contact
E-mail
Phone

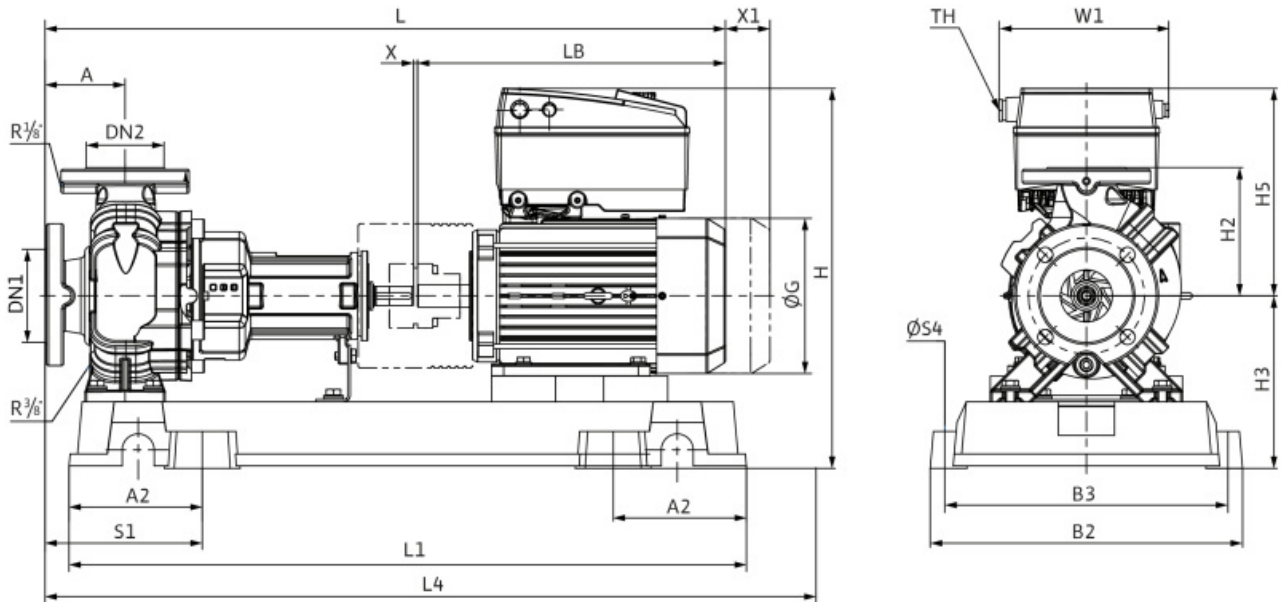
Dimensions

Glanded standard high-efficiency pump
Yonos GIGA-N 150/250-11/4-R1

Project ID Untitled project 2025-03-04 09:37:01.987

Project name
Installation location
Customer pos. No.

Date 2025-03-04



Coupling with spacer

Suction side DN 200, PN 16
Discharge side DN 150, PN 16

Dimensions mm

Name	Value	Name	Value	Name	Value	Name	Value
A	160	H	928	L2	290	S4	29
A2	290	H2	375	L3	1,060	W1	307.6
B1	0	H3	403	L4	1,670	X	140
B2	660	H5	525	LB	686.5	X1	100
B3	600	HH	531	LL	441		
DN1	DN 200, PN 16	L	1,516	ØG	355		
DN2	DN 150, PN 16	L1	1,640	S1	320		