

**Customer**

# Technical data

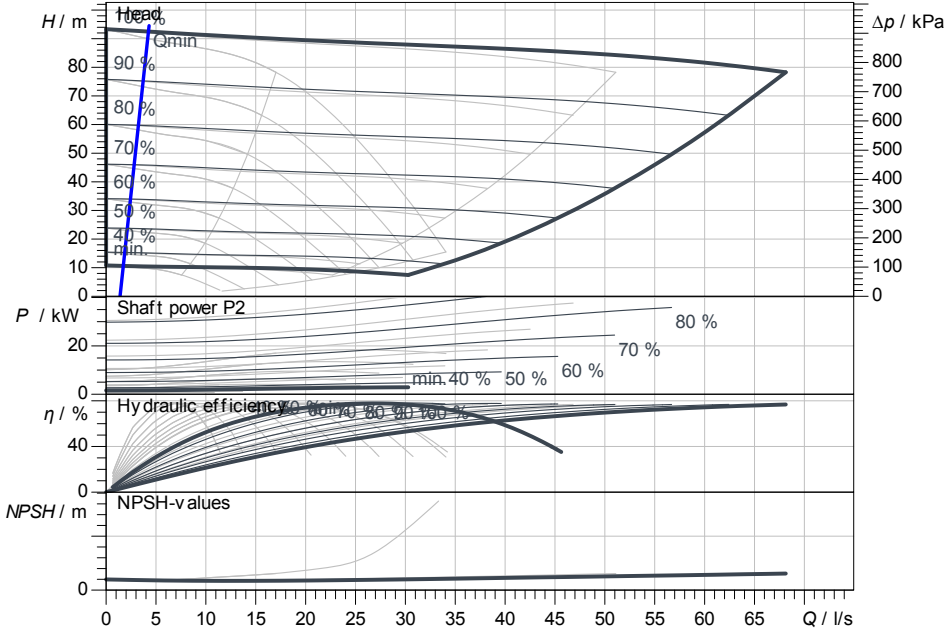
## Multi-pump system COR-4 MVIE 7004/2/SCe

Project ID: Untitled project 2025-03-01 23:56:42.904

Project name  
Installation location  
Customer pos. No.

Date: 2025-03-02

### Duty chart



### Requested data

Flow  
Head  
Media: Water 100 %  
Fluid temperature: 20.00 °C  
Density: 998.30 kg/m<sup>3</sup>  
Kin. viscosity: 1.00 mm<sup>2</sup>/s

### Hydraulic data (Duty point)

Flow  
Head  
Shaft power P2

### Product data

Multi-pump system  
COR-4 MVIE 7004/2/SCe  
Control: With frequency converter  
No. of pumps: 4  
Max. operating pressure: 1,600 kPa  
Inlet pressure max.: 10 bar  
Fluid temperature: 3 °C ... +60 °C  
Max. ambient temperature: 50 °C  
Protection class motor: IP55  
Protection class of switchgear: IP54  
Diaphragm pressure vessel: Yes  
Low-water cut-out switchgear: Yes

### Motordata per Motor/Pump

Motor efficiency level: IE5  
Mains connection: 3~ 400 V / 50 Hz  
Permitted voltage tolerance  
Max. speed  
Rated power P2: 18.50 kW  
Rated current: 32.10 A

Efficiency: 50% / 75% / 100% // 95.4%  
Insulation class: F  
Motor protection: Yes

### Fitting dimensions

Pipe connection on the suction side: DN 200, PN 16  
Pipe connection (pressure side): DN 200, PN 16

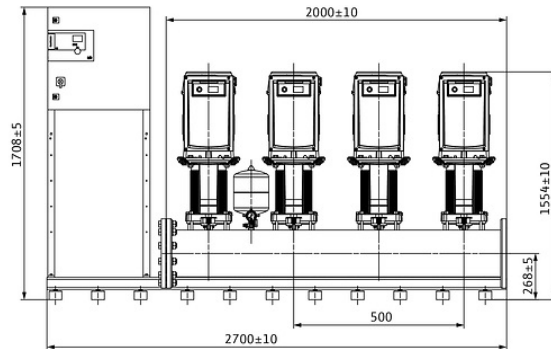
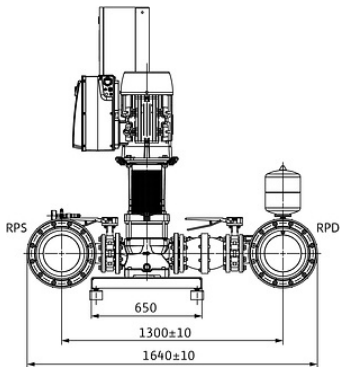
### Materials

Pump housing: 5.1301/EN-GJL-250

Impeller: 1.4301  
Shaft: 1.4057  
Shaft seal: BQ7EGG  
Gasket material: EPDM  
Pipework material: 1.4404

### Information for order placements

Weight approx.: 1662 kg  
Item number: 2552090



### Dimensions mm

Contact  
E-mail  
Phone

**Customer**

Contact  
E-mail  
Phone

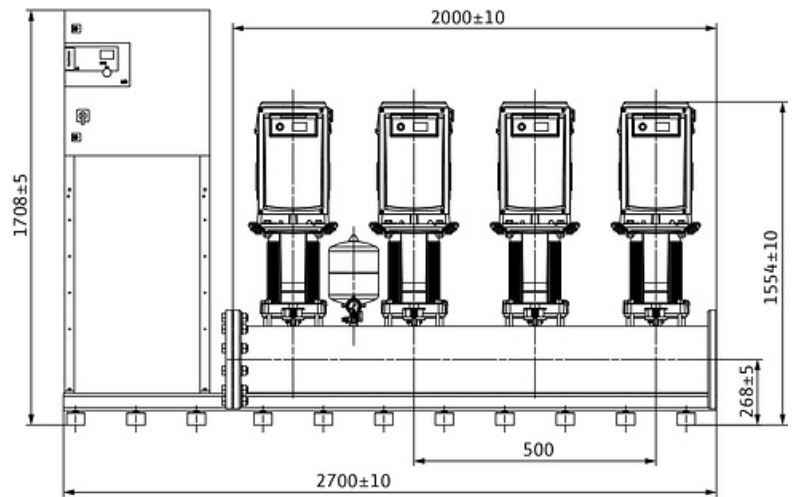
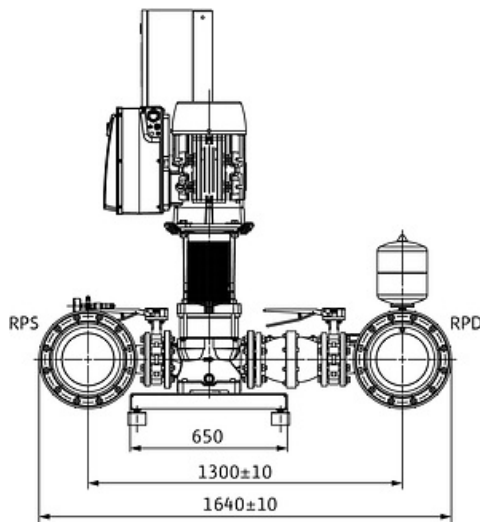
## Dimensions

Multi-pump system  
COR-4 MVIE 7004/2/SCe

Project ID                      Untitled project 2025-03-01 23:56:42.904

Project name  
Installation location  
Customer pos. No.

Date                      2025-03-02



Standard

Suction side                      DN 200, PN 16  
Discharge side                    DN 200, PN 16

**Dimensions**                    mm

Name	Value	Name	Value	Name	Value	Name	Value
------	-------	------	-------	------	-------	------	-------