

Customer

Technical data

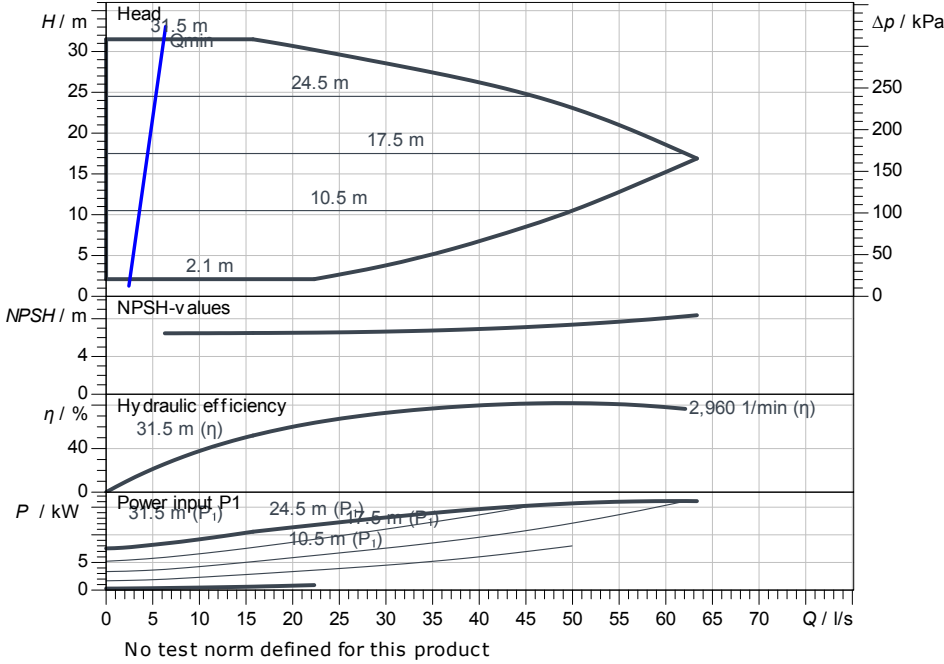
Glanded standard high-efficiency pump Yonos GIGA-N 80/160-15/2-R1

Project ID: Untitled project 2025-03-04 09:37:01.987

Project name
Installation location
Customer pos. No.

Date: 2025-03-04

Duty chart



Requested data

Flow
Head
Media: Water 100 %
Fluid temperature: 20.00 °C
Density: 998.30 kg/m³
Kin. viscosity: 1.00 mm²/s

Hydraulic data (Duty point)

Flow
Head
Shaft power P2
Hydraulic efficiency
NPSH
Impeller size

Product data

Glanded standard high-efficiency pump
Yonos GIGA-N 80/160-15/2-R1
Max. operating pressure: 1,600 kPa
Fluid temperature: -20 °C ... +140 °C
Max. ambient temperature: 40 °C
Minimum efficiency index (MEI): ≥ 0.4

Motordata per Motor/Pump

Motor efficiency level: IE4
Mains connection: 3~ 400 V / 50 Hz
Permitted voltage tolerance: +10 %
Max. speed: 2,955 1/min
Rated power P2: 15.00 kW
Rated current: 24.70 A
Power factor: 0.94
Efficiency: 50% / 75% / 100% // %
Degree of protection: IP55
Insulation class: F
Motor protection: PTC integrated

Fitting dimensions

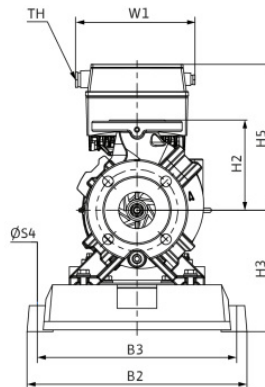
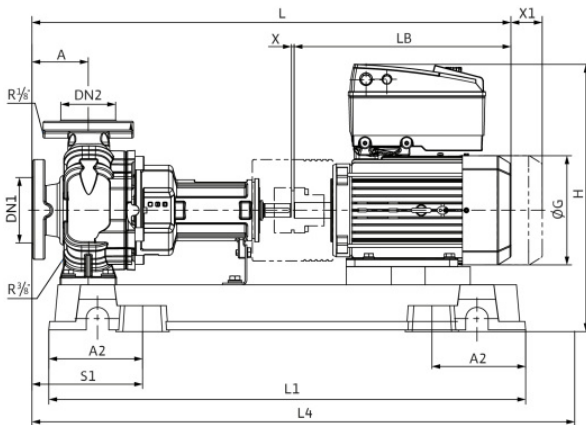
Pipe connection on the suction side: DN 100, PN 16
Pipe connection (pressure side): DN 80, PN 16
Port to Port

Materials

Pump housing: 5.1301/EN-GJL-250
Impeller: EN-GJL-200
Lantern: 5.1301/EN-GJL-250
Shaft: 1.4021
Shaft seal: AQ1EGG

Information for order placements

Weight approx.: 271 kg
Item number: 6088972



Dimensions

mm

| | | | | | | | |
|----|-----|-----|----------|----|-------|----|-------|
| A | 125 | DN1 | DN 100, | H5 | 505 | L4 | 1,185 |
| A2 | 205 | DN2 | DN 80, P | L | 1,252 | LB | 627 |
| B1 | 0 | H | 788 | L1 | 1,150 | ØG | 313 |
| B2 | 490 | H2 | 225 | L2 | 225 | S1 | 240 |
| B3 | 440 | H3 | 283 | L3 | 840 | S4 | 24 |



Contact
E-mail
Phone

Customer

Contact
E-mail
Phone

Hydraulic data

Glanded standard high-efficiency pump
Yonos GIGA-N 80/160-15/2-R1

Project ID: Untitled project 2025-03-04 09:37:01.987

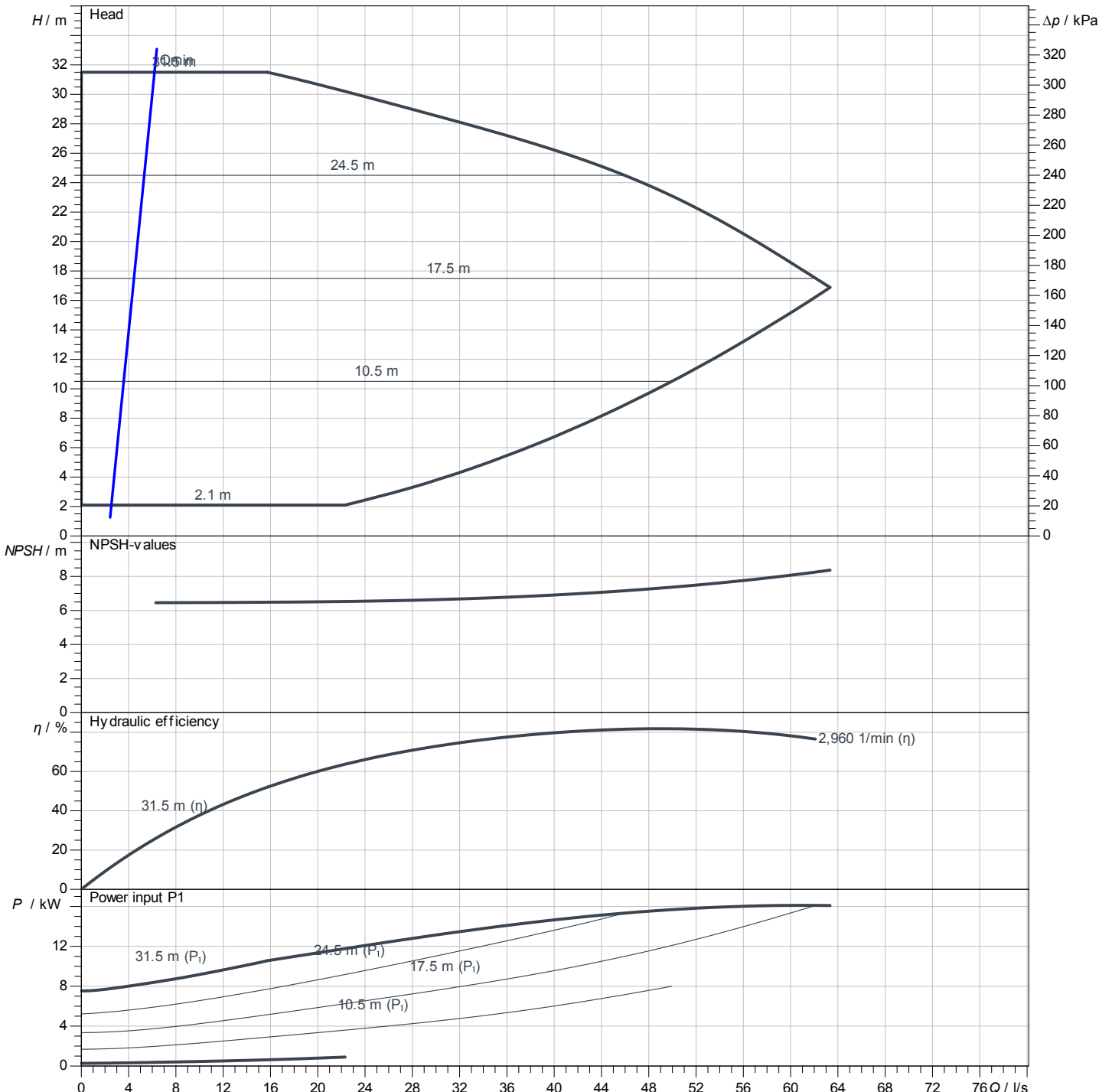
Project name
Installation location
Customer pos. No.

Date 2025-03-04

Operating data

| | | | | | |
|---------------------------------------|---------------------------|--------------------------|------------|-------------------------------|--------------------------------|
| Rotational speed 2960 1/min | Frequency 50 Hz | Duty point Q = | H = | Suction port DN 100 | Discharge port DN 80 |
|---------------------------------------|---------------------------|--------------------------|------------|-------------------------------|--------------------------------|

Power data referred to: Water; 20°C; 998.3kg/m³; 1.005mm²/s ±10 % tolerance with linear U/f frequency control



No test norm defined for this product

Contact
E-mail
Phone

Customer

Contact
E-mail
Phone

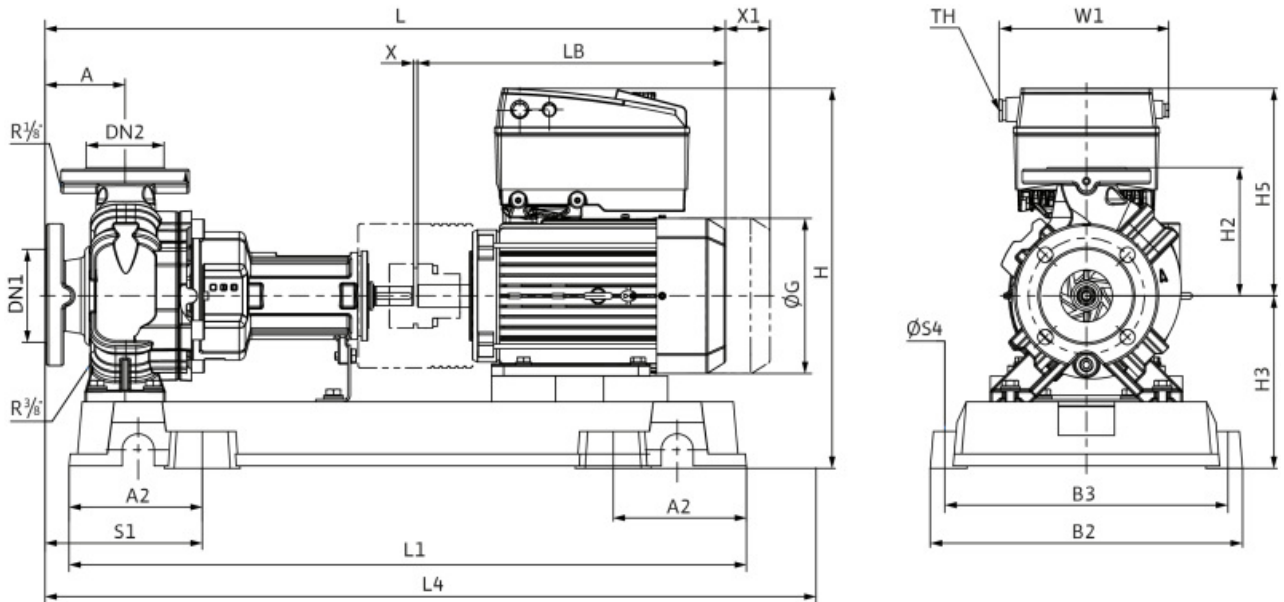
Dimensions

Glanded standard high-efficiency pump
Yonos GIGA-N 80/160-15/2-R1

Project ID Untitled project 2025-03-04 09:37:01.987

Project name
Installation location
Customer pos. No.

Date 2025-03-04



Coupling with spacer

Suction side DN 100, PN 16
Discharge side DN 80, PN 16

Dimensions mm

| Name | Value | Name | Value | Name | Value | Name | Value |
|------|---------------|------|-------|------|-------|------|-------|
| A | 125 | H | 788 | L3 | 840 | X | 140 |
| A2 | 205 | H2 | 225 | L4 | 1,185 | X1 | 100 |
| B1 | 0 | H3 | 283 | LB | 627 | | |
| B2 | 490 | H5 | 505 | ØG | 313 | | |
| B3 | 440 | L | 1,252 | S1 | 240 | | |
| DN1 | DN 100, PN 16 | L1 | 1,150 | S4 | 24 | | |
| DN2 | DN 80, PN 16 | L2 | 225 | W1 | 307.6 | | |