

**Customer**

## Dimensions

Glanded monobloc pump  
BM-B 40/170-5,5/2

Project ID

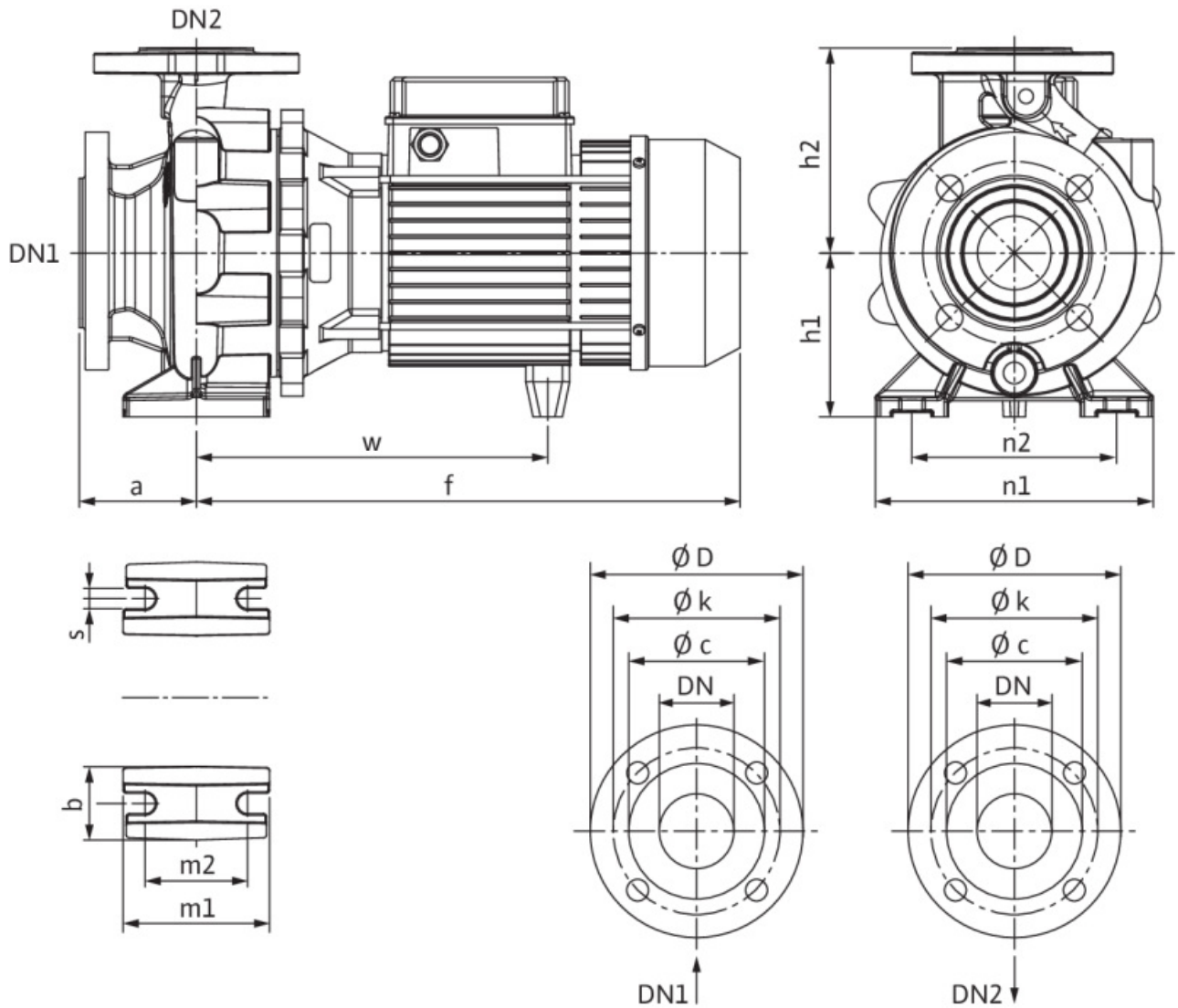
Untitled project 2025-03-01 21:27:50.947

Project name

Installation location

Customer pos. No.

Date 2025-03-01



**Standard**

Suction side DN 65, PN 10  
Discharge side DN 40, PN 10

**Dimensions** mm

Name	Value	Name	Value	Name	Value	Name	Value
a	80	h2	160	Ød	118		
b	50	m1	100	ØD	185		
dL	19	m2	70	ØD	150		
DN1	DN 65, PN 10	n1	240	s	14		
DN2	DN 40, PN 10	n2	190	w	304		
f	450	Ø k	145				
h1	132	Ø k	110				

**Customer**

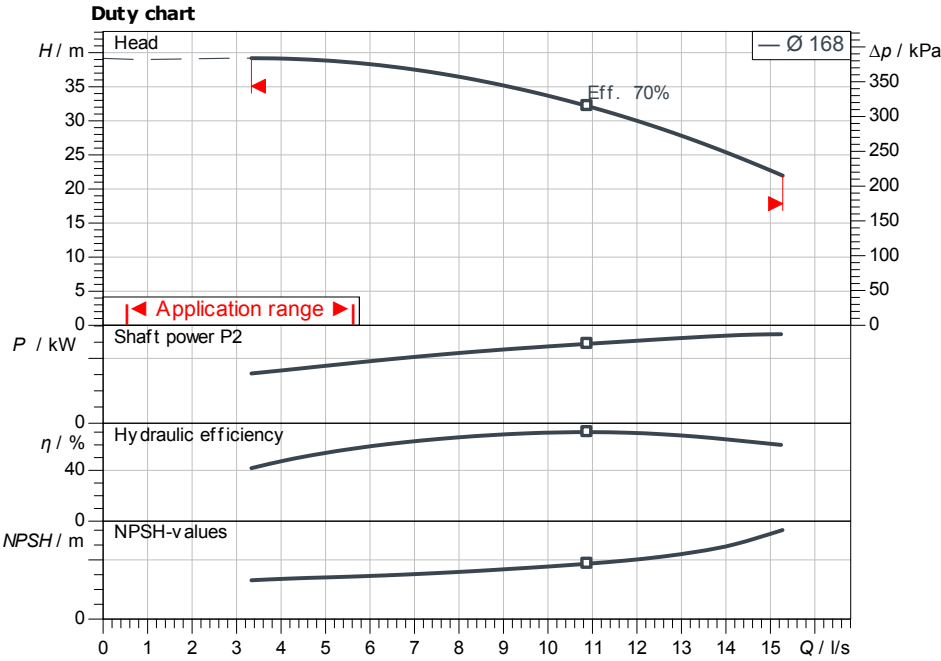
## Technical data

### Glanded monobloc pump BM-B 40/170-5,5/2

Project ID                      Untitled project 2025-03-01 21:27:50.947

Project name  
Installation location  
Customer pos. No.

Date                      2025-03-01



**Requested data**

Flow  
Head  
Media                      Water 100 %  
Fluid temperature       20.00 °C  
Density                    998.30 kg/m<sup>3</sup>  
Kin. viscosity            1.00 mm<sup>2</sup>/s

**Hydraulic data (Duty point)**

Flow  
Head  
Shaft power  $P_2$   
Hydraulic efficiency  
NPSH

**Product data**

Glanded monobloc pump  
BM-B 40/170-5,5/2  
Max. operating pressure   1,000 kPa  
Fluid temperature       -10 °C ... +90 °C  
Max. ambient temperature 40 °C  
Minimum efficiency index (MEI)  $\geq 0.4$

**Motordata per Motor/Pump**

Motor efficiency level     IE3  
Mains connection        3~ 400 V / 50 Hz  
Permitted voltage tolerance +10 %  
Rated speed              2,900 1/min  
Rated power  $P_2$          5.50 kW  
Rated current             10.80 A  
Power factor              0.87  
Efficiency                50% / 75% / 100%     87.4 / 88.5 / 89.2 %  
Degree of protection     IP55  
Insulation class         F  
Motor protection         No

**Fitting dimensions**

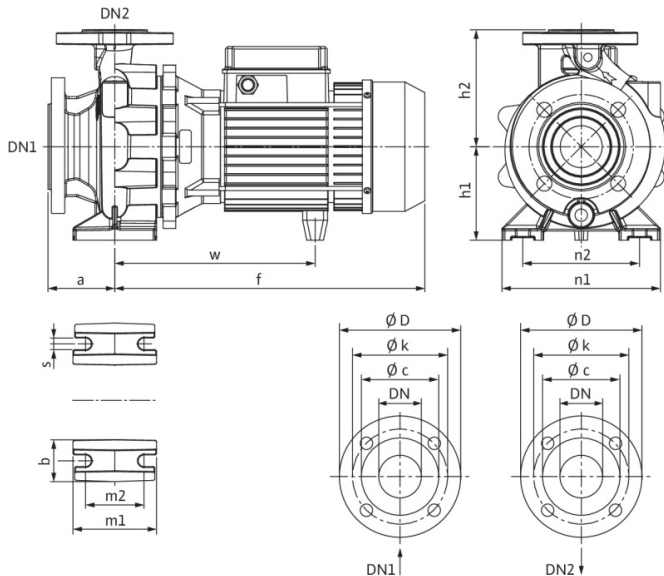
Pipe connection on the suction side DN 65, PN 10  
 Pipe connection (pressure side) DN 40, PN 10  
 Port to Port              -

**Materials**

Pump housing             Bronze, G-CuSn10  
Impeller                  Bronze, G-CuSn10  
Shaft                      1.4362  
Shaft seal                Q1Q1VGG

**Information for order placements**

Weight approx.         65 kg  
Item number             2103281





Contact  
E-mail  
Phone

**Customer**

Contact  
E-mail  
Phone

### Hydraulic data

Glanded monobloc pump  
BM-B 40/170-5,5/2

Project ID                      Untitled project 2025-03-01 21:27:50.947

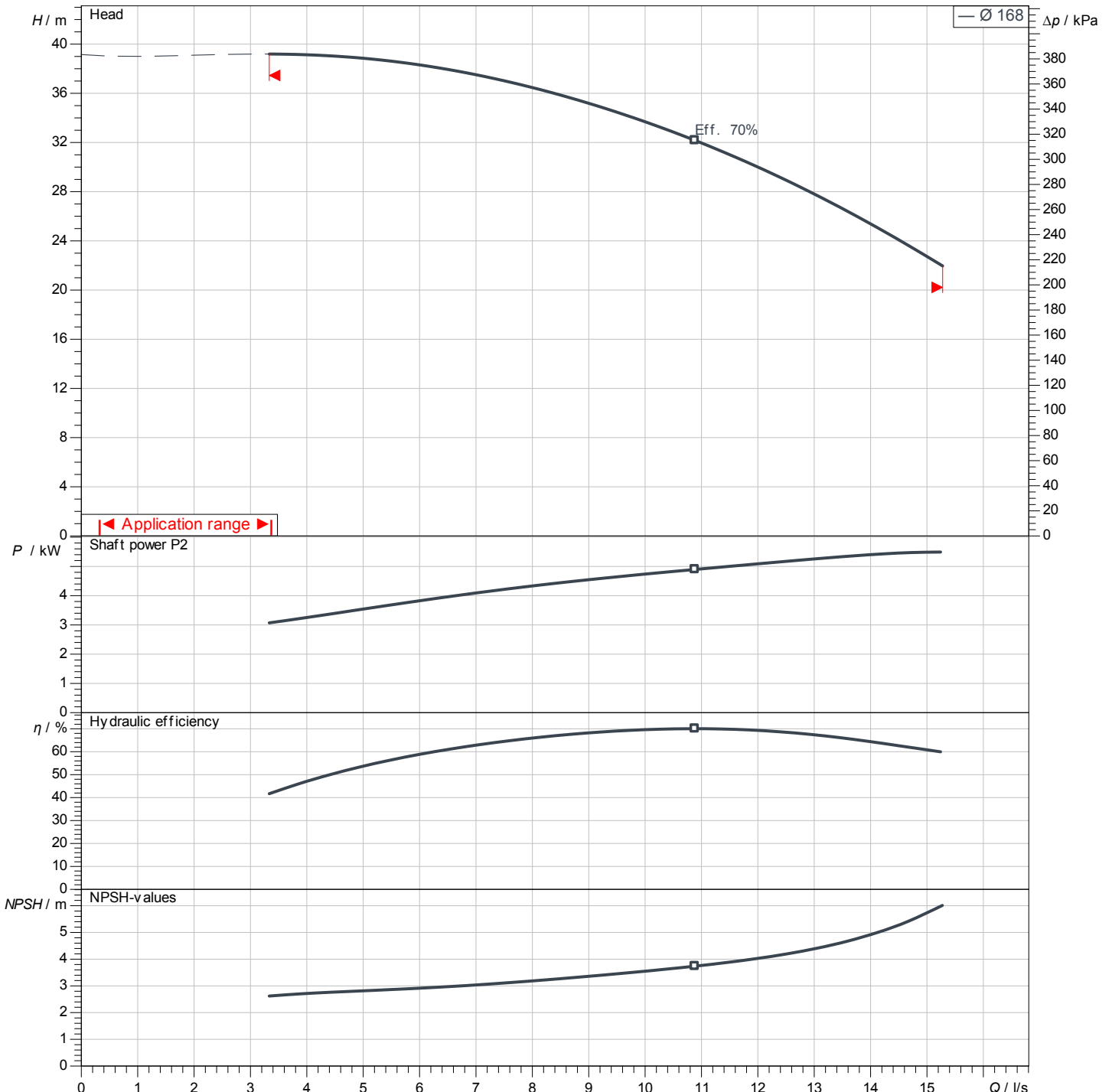
Project name  
Installation location  
Customer pos. No.

Date                      2025-03-01

### Operating data

Rotational speed <b>2900 1/min</b>	Frequency <b>50 Hz</b>	Duty point <b>Q =</b>	<b>H =</b>	Suction port <b>DN 65</b>	Discharge port <b>DN 40</b>
---------------------------------------	---------------------------	--------------------------	------------	------------------------------	--------------------------------

Power data referred to:                      Water; 20°C; 998.3kg/m<sup>3</sup>; 1.005mm<sup>2</sup>/s                      ±10 % tolerance with linear U/f frequency control



No test norm defined for this product