

**Customer**

# Technical data

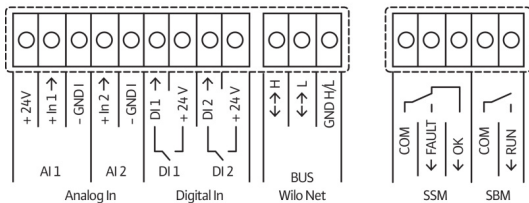
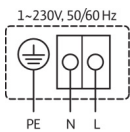
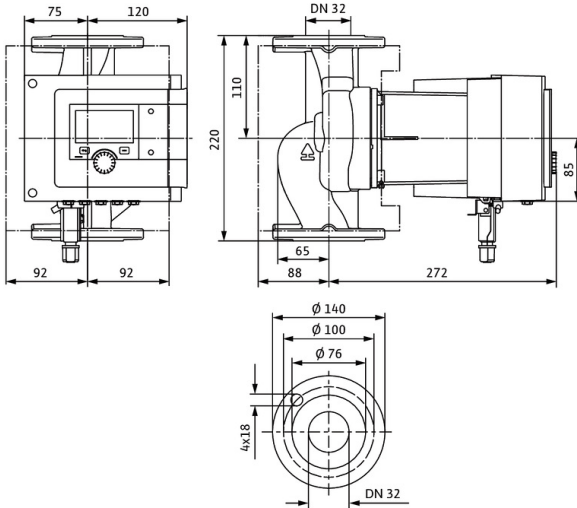
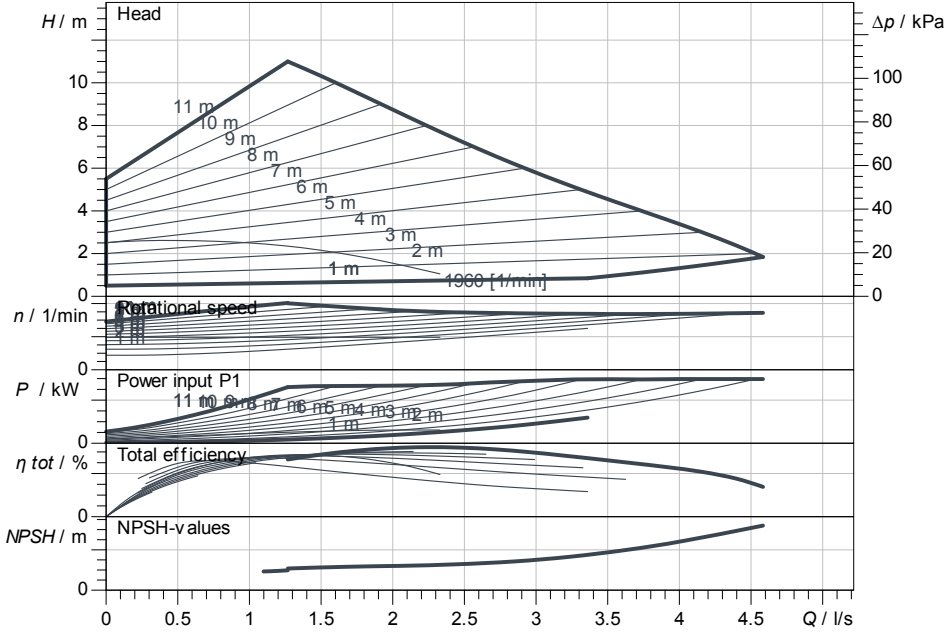
## Glandless premium smart-pump Stratos MAXO-Z 32/0,5-12 PN16

Project ID: Untitled project 2025-03-04 09:37:01.987

Project name  
Installation location  
Customer pos. No.

Date: 2025-03-04

**Duty chart**



**Requested data**

Flow	
Head	
Media	Water 100 %
Fluid temperature	20.00 °C
Density	998.30 kg/m³
Kin. viscosity	1.00 mm²/s

**Hydraulic data (Duty point)**

Flow	
Head	
Power input P1	

**Product data**

Glandless premium smart-pump Stratos MAXO-Z 32/0,5-12 PN16	
Kind of operation	dp-v
Max. operating pressure	1,600 kPa
Fluid temperature	0 °C ... +80 °C
Max. ambient temperature	40 °C
Minimum suction head at	50 / 95 / 110 °C
Max. permitted total hardness in	3.57 mmol/l (20°dH)
potable water circulation systems	

**Motordata per Motor/Pump**

Energy efficiency index (EEI)	≤ 0.18
Mains connection	1~ 230 V / 50 Hz
Permitted voltage tolerance	+ -10 %
Max. speed	
Rated power P2	0.27 kW
Power input P1 (max)	0.32 kW
Current consumption	1.42 A
Degree of protection	IPX4D
Insulation class	F
Motor protection	Internal protection over

**Fitting dimensions**

Pipe connection on the suction side	DN 32, PN 16
Pipe connection (pressure side)	DN 32, PN 16
Port to Port	220 mm

**Materials**

Pump housing	1.4408
Impeller	PPS-GF40
Shaft	1.4122, DLC-coated
Bearing	Carbon-graphite

**Information for order placements**

Weight approx.	10.9 kg
Item number	2186314