

**Customer**

## Technical data

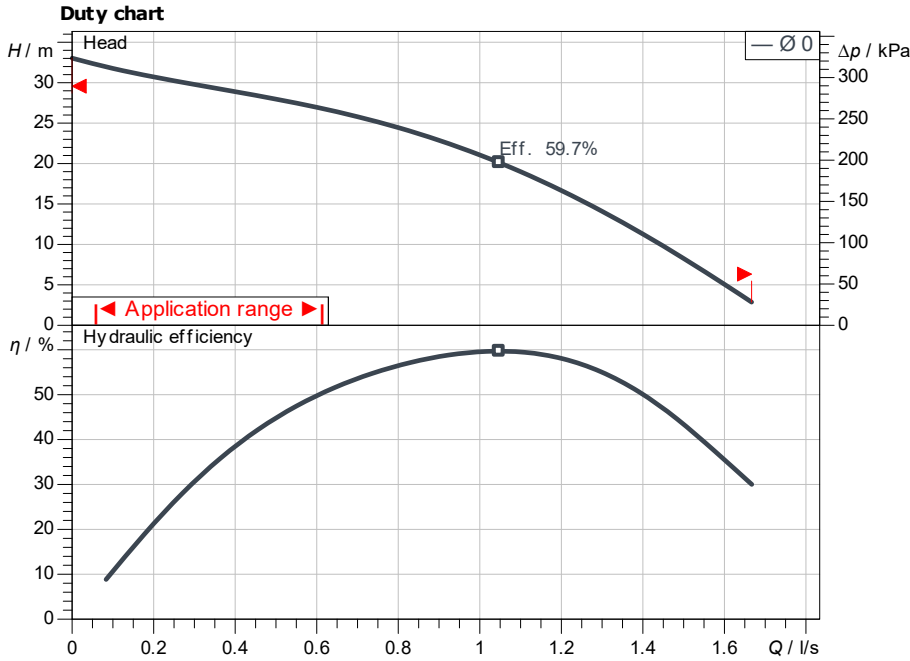
### Submersible pump

### Sub TWU 4.04-05-EM-C-PnP/FC

Project ID                      Untitled project 2025-03-17 08:16:17.345

Project name  
Installation location  
Customer pos. No.

Date                      2025-03-17



#### Requested data

|                   |                          |
|-------------------|--------------------------|
| Flow              |                          |
| Head              |                          |
| Media             | Water 100 %              |
| Fluid temperature | 20.00 °C                 |
| Density           | 998.30 kg/m <sup>3</sup> |
| Kin. viscosity    | 1.00 mm <sup>2</sup> /s  |

#### Hydraulic data (Duty point)

|                      |  |
|----------------------|--|
| Flow                 |  |
| Head                 |  |
| Shaft power P2       |  |
| Hydraulic efficiency |  |
| Power input P1       |  |

#### Product data

|                                |                 |
|--------------------------------|-----------------|
| Submersible pump               |                 |
| Sub TWU 4.04-05-EM-C-PnP/FC    |                 |
| Max. operating pressure        | 360 kPa         |
| Fluid temperature              | 3 °C ... +35 °C |
| Minimum efficiency index (MEI) | ≥ 0.7           |
| Max. pump diameter             | 98 mm           |

#### Motordata per Motor/Pump

|                             |                      |
|-----------------------------|----------------------|
| Mains connection            | 1~230 V / 50 Hz      |
| Type of motor               | Submersible motor    |
| Activation type             | Direct On Line (DOL) |
| Min. flow at the motor      | 0.08 m/s             |
| Motor diameter              | 98 mm                |
| Permitted voltage tolerance | +5 %                 |
| Nominal speed               | 2,855 1/min          |
| Rated power P2              | 0.37 kW              |
| Rated current               | 3.35 A               |
| Power factor                | 0.87                 |
| Degree of protection        | IP68                 |
| Insulation class            | B                    |

#### Cable

|                            |       |
|----------------------------|-------|
| Length of connecting cable | 30 m  |
| Cable type                 | 4G1,5 |

#### Fitting dimensions

|                 |          |
|-----------------|----------|
| Discharge size  | Rp 1 1/4 |
| Flange standard | -        |

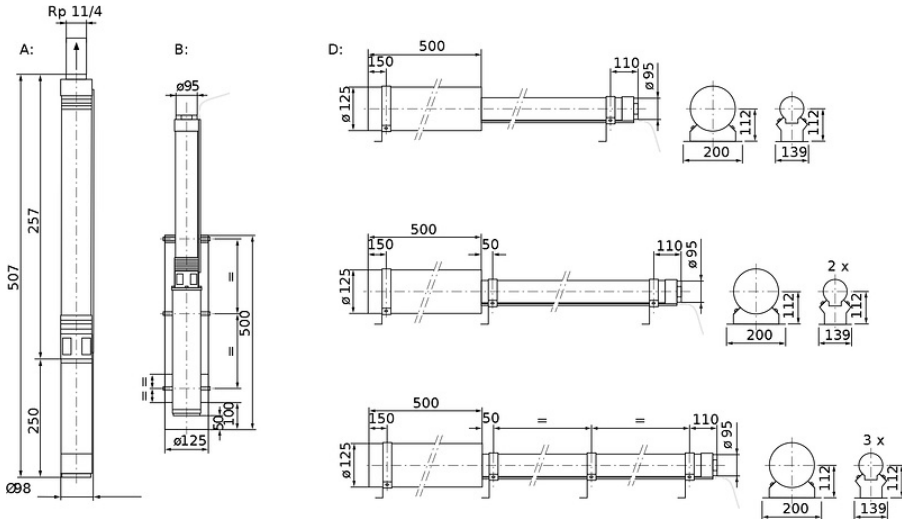
#### Materials

|               |        |
|---------------|--------|
| Pump housing  | 1.4301 |
| Motor housing | 1.4301 |
| Shaft         | 1.4104 |
| Impeller      | PPE    |

#### Information for order placements

|                |         |
|----------------|---------|
| Weight approx. | 9.5 kg  |
| Item number    | 6049385 |

#### Approval



#### Dimensions                      mm