





Contact  
E-mail  
Phone

**Customer**

Contact  
E-mail  
Phone

## Hydraulic data

Glanded standard pump  
Atmos GIGA-NHT 32/160-0.55/4-S2

Project ID: Untitled project 2025-03-01 20:45:47.557

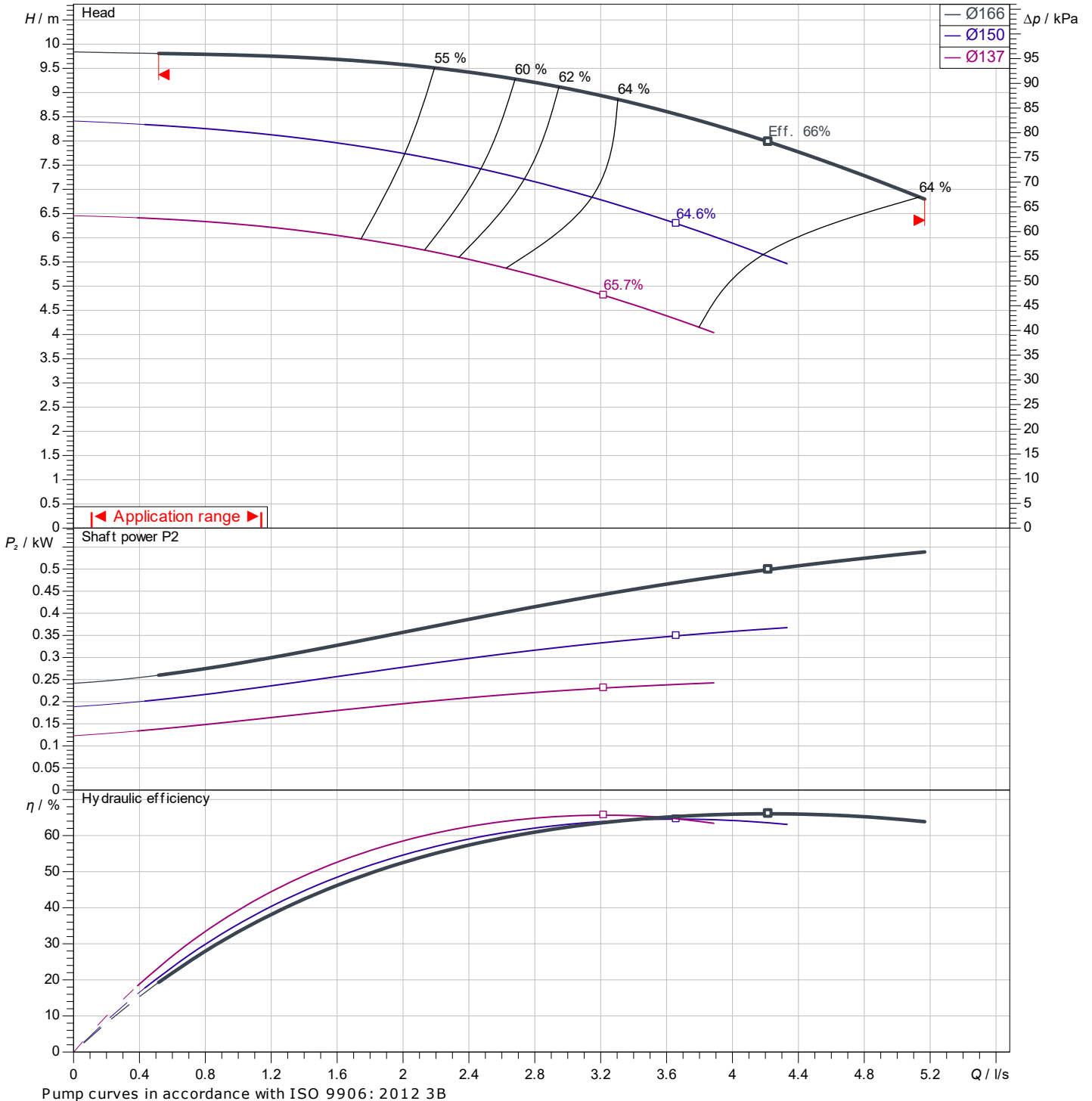
Project name  
Installation location  
Customer pos. No.

Date: 2025-03-01

## Operating data

|                                       |                           |                          |            |                              |                                |
|---------------------------------------|---------------------------|--------------------------|------------|------------------------------|--------------------------------|
| Rotational speed<br><b>1453 1/min</b> | Frequency<br><b>50 Hz</b> | Duty point<br><b>Q =</b> | <b>H =</b> | Suction port<br><b>DN 50</b> | Discharge port<br><b>DN 32</b> |
|---------------------------------------|---------------------------|--------------------------|------------|------------------------------|--------------------------------|

Power data referred to: Water; 20°C; 998.3kg/m³; 1.005mm²/s ±10 % tolerance with linear U/f frequency control



Contact  
E-mail  
Phone

**Customer**

Contact  
E-mail  
Phone

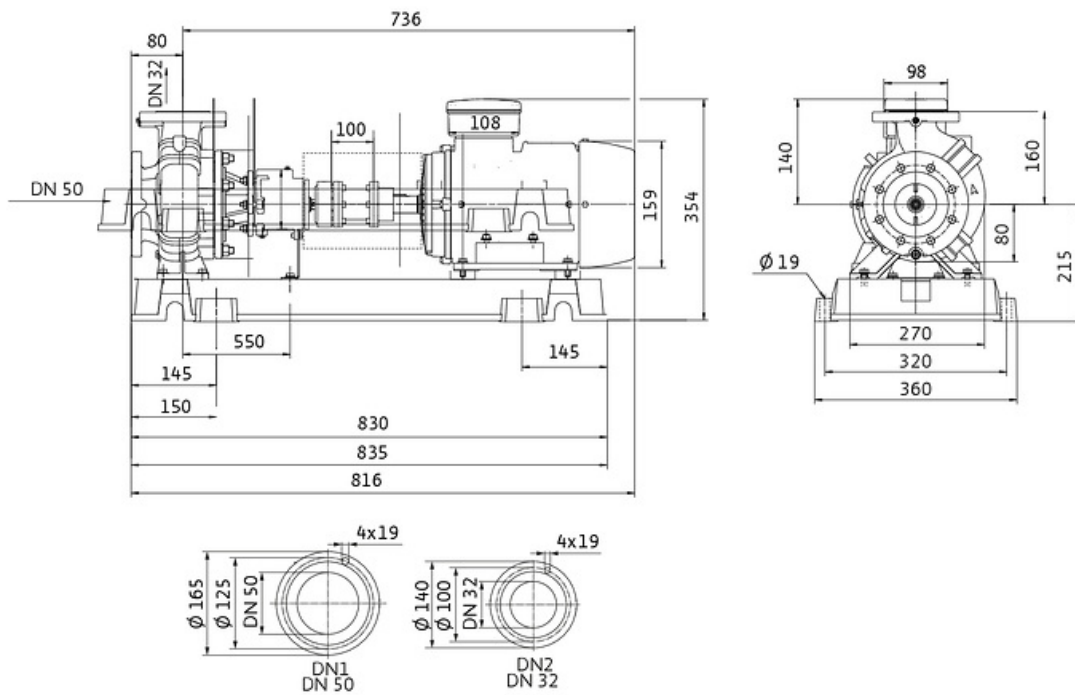
## Dimensions

Glanded standard pump  
Atmos GIGA-NHT 32/160-0.55/4-S2

Project ID                      Untitled project 2025-03-01 20:45:47.557

Project name  
Installation location  
Customer pos. No.

Date                      2025-03-01



**Standard**

Suction side                      DN 50, PN 25  
Discharge side                    DN 32, PN 25

**Dimensions**                    mm

| Name | Value | Name | Value | Name | Value | Name | Value |
|------|-------|------|-------|------|-------|------|-------|
|------|-------|------|-------|------|-------|------|-------|