

**Customer**

# Technical data

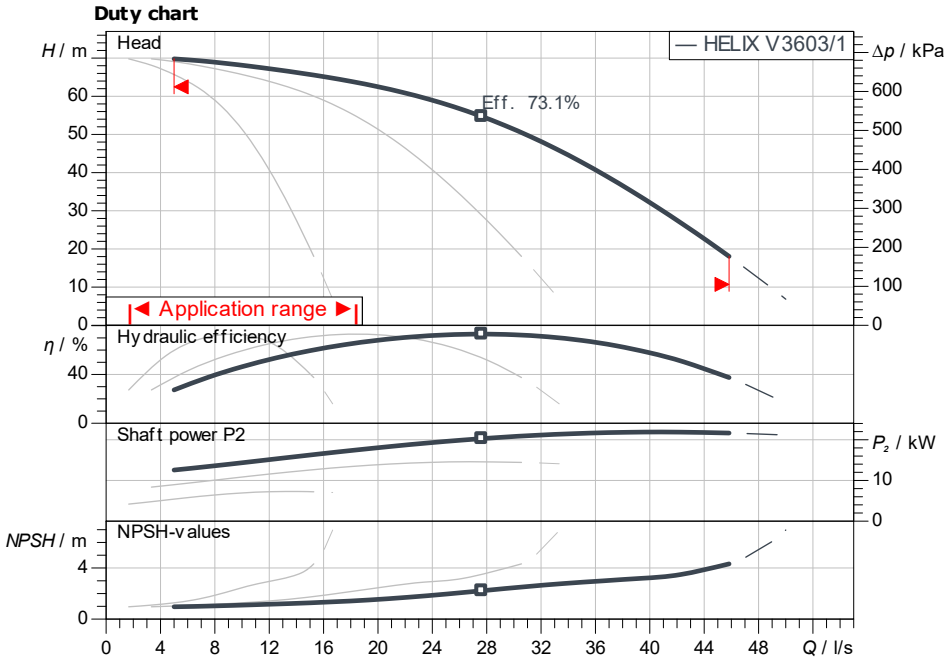
## Multi-pump system

### SiBoost Smart 3 Helix V 3603/1

Project ID: Untitled project 2025-03-04 01:04:54.425

Project name  
Installation location  
Customer pos. No.

Date: 2025-03-04



**Requested data**

Flow  
Head  
Media: Water 100 %  
Fluid temperature: 20.00 °C  
Density: 998.30 kg/m<sup>3</sup>  
Kin. viscosity: 1.00 mm<sup>2</sup>/s

**Hydraulic data (Duty point)**

Flow  
Head  
Shaft power  $P_2$

**Product data**

Multi-pump system  
SiBoost Smart 3 Helix V 3603/1

No. of pumps: 3  
Max. operating pressure: 1,600 kPa  
Inlet pressure max.: 1,000  
Fluid temperature: 3 °C ... +50 °C  
Max. ambient temperature: 40 °C  
Protection class system: IP55  
Protection class of switchgear: IP54  
Diaphragm pressure vessel: Yes  
Low-water cut-out switchgear: No

**Motordata per Motor/Pump**

Motor efficiency level: IE3  
Mains connection: 3~ 400 V / 50 Hz  
Permitted voltage tolerance: +-10 %  
Rated speed: 2,900 1/min  
Rated power  $P_2$ : 7.50 kW  
Rated current: 13.70 A  
Power factor: 0.88  
Efficiency: 50% / 75% / 100%  
Degree of protection: IP55  
Insulation class: F  
Motor protection: Yes

**Fitting dimensions**

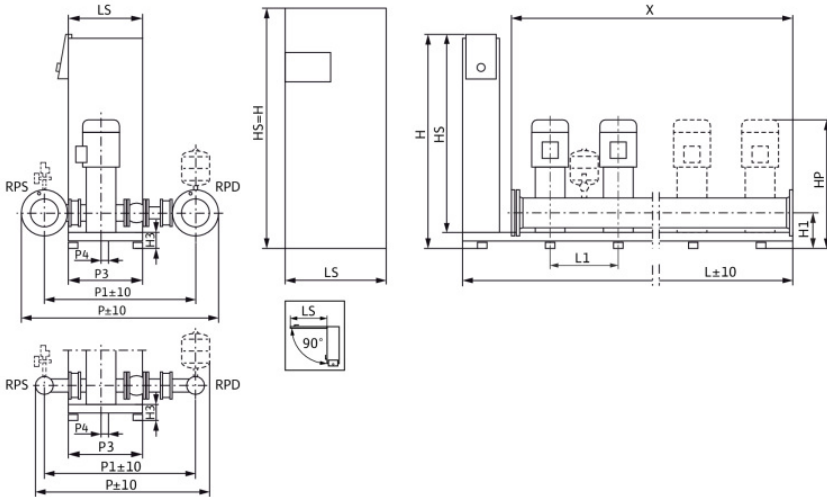
Pipe connection on the suction side: DN 125, PN 10  
Pipe connection (pressure side): DN 125, PN 16

**Materials**

Pump housing: 5.1301/EN-GJL-250  
Impeller: 1.4307  
Shaft: 1.4057  
Shaft seal: Q1BE3GG  
Gasket material: EPDM  
Pipework material: 1.4307

**Information for order placements**

Weight approx.: 520 kg  
Item number: 2540771



**Dimensions**

mm

DNd	DN 125,	H3	105	LS	250	X	1,100
DNs	DN 125,	HP	1,073	P	1,305		
H	1,405	HS	1,300	P1	1,057		
H1	210	L	1,250	P3	420		
H2	360	L1	300	P4	30		

Contact  
E-mail  
Phone

**Customer**

Contact  
E-mail  
Phone

## Dimensions

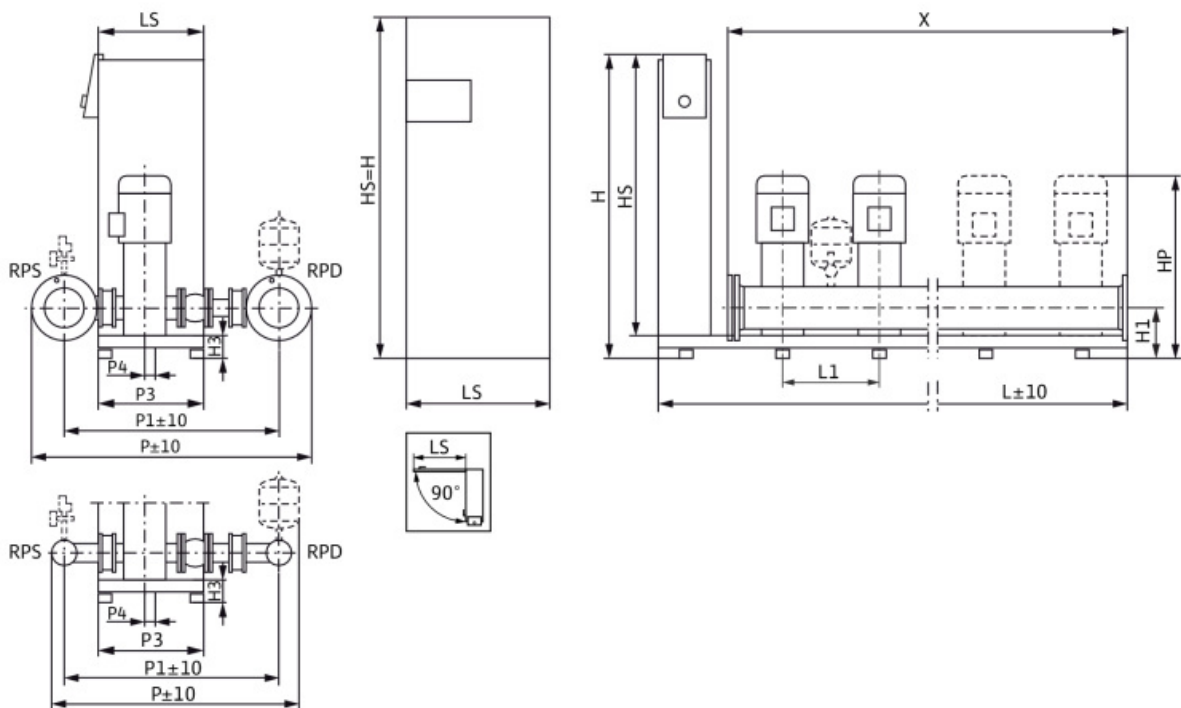
### Multi-pump system

SiBoost Smart 3 Helix V 3603/1

Project ID                      Untitled project 2025-03-04 01:04:54.425

Project name  
Installation location  
Customer pos. No.

Date                      2025-03-04



**Standard**

Suction side                      DN 125, PN 10/PN 16  
Discharge side                    DN 125, PN 10/PN 16

**Dimensions**                    mm

Name	Value	Name	Value	Name	Value	Name	Value
DNd	DN 125, PN 16	HS	1,300	P4	30		
DNs	DN 125, PN 10	L	1,250	X	1,100		
H	1,405	L1	300				
H1	210	LS	250				
H2	360	P	1,305				
H3	105	P1	1,057				
HP	1,073	P3	420				