

**Customer**

## Technical data

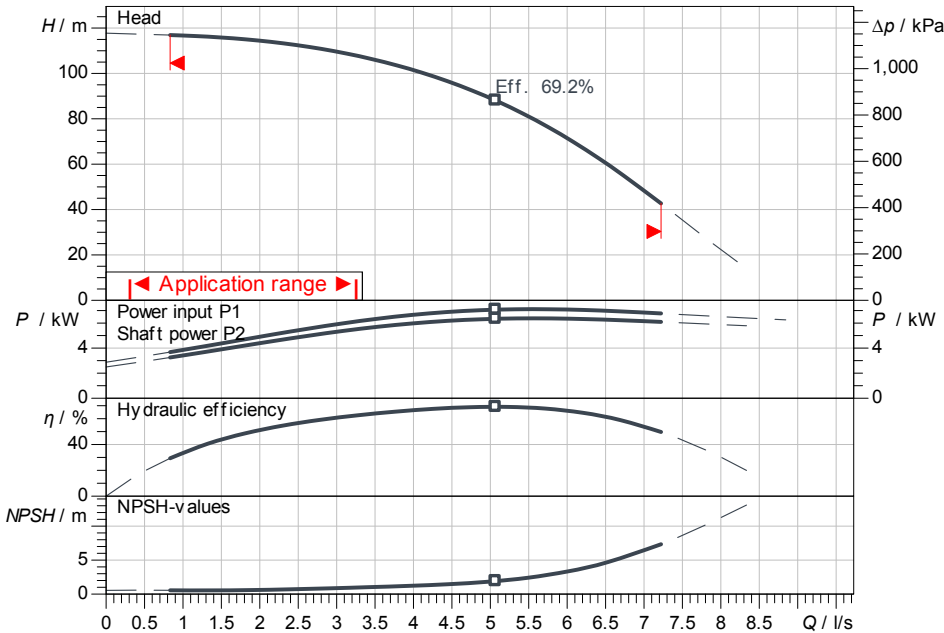
### Single-pump system CO-1 Helix V 1609/K/EC

Project ID                      Untitled project 2025-03-03 10:19:29.207

Project name  
Installation location  
Customer pos. No.

Date                      2025-03-03

#### Duty chart



#### Requested data

Flow  
Head  
Media                      Water 100 %  
Fluid temperature                      20.00 °C  
Density                      998.30 kg/m<sup>3</sup>  
Kin. viscosity                      1.00 mm<sup>2</sup>/s

#### Hydraulic data (Duty point)

Flow  
Head  
Shaft power P2

#### Product data

Single-pump system  
CO-1 Helix V 1609/K/EC  
Control                      Without frequency conversion  
No. of pumps                      1  
Max. operating pressure                      1,600 kPa  
Inlet pressure max.                      1,000 kPa  
Fluid temperature                      3 °C ... +50 °C  
Max. ambient temperature                      40 °C  
Protection class motor                      IP55  
Protection class of switchgear                      IP54  
Diaphragm pressure vessel                      Yes  
Low-water cut-out switchgear                      No

#### Motordata per Motor/Pump

Motor efficiency level                      IE3  
Mains connection                      3~ 400 V / 50 Hz  
Permitted voltage tolerance                      +-10 %  
Rated speed                      2,900 1/min  
Rated power P2                      7.50 kW  
Rated current                      13.70 A  
Power factor                      0.88  
Efficiency                      89.8/90.5/90.1%  
50% / 75% / 100%  
Insulation class                      F  
Motor protection                      Yes

#### Fitting dimensions

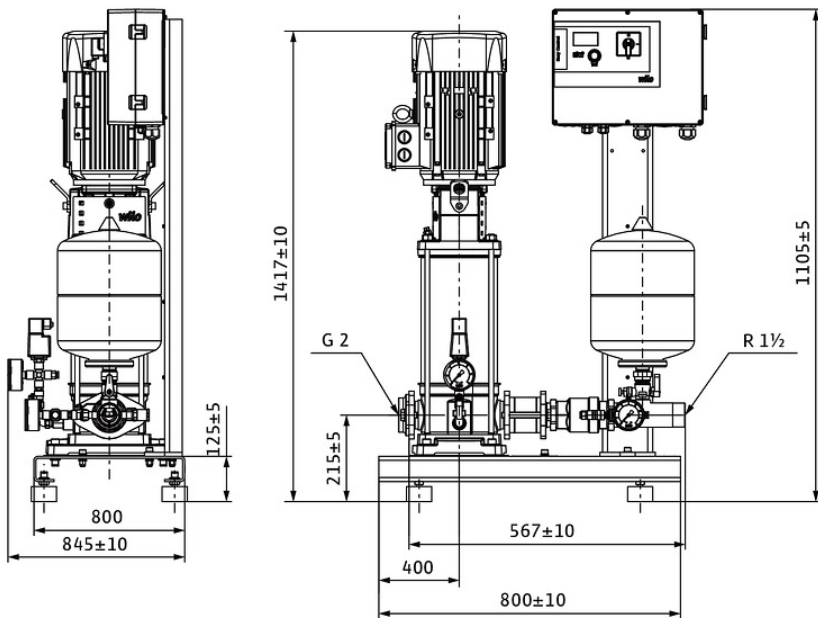
Pipe connection on the suction side                      G 2, PN 10  
Pipe connection (pressure side)                      R 1½, PN 16

#### Materials

Pump housing                      1.4301  
  
Impeller                      1.4307  
Shaft                      1.4301  
Shaft seal                      Q1BE3GG  
Gasket material                      EPDM  
Pipework material                      1.4307

#### Information for order placements

Weight approx.                      136 kg  
Item number                      2554876



#### Dimensions                      mm

