

Customer

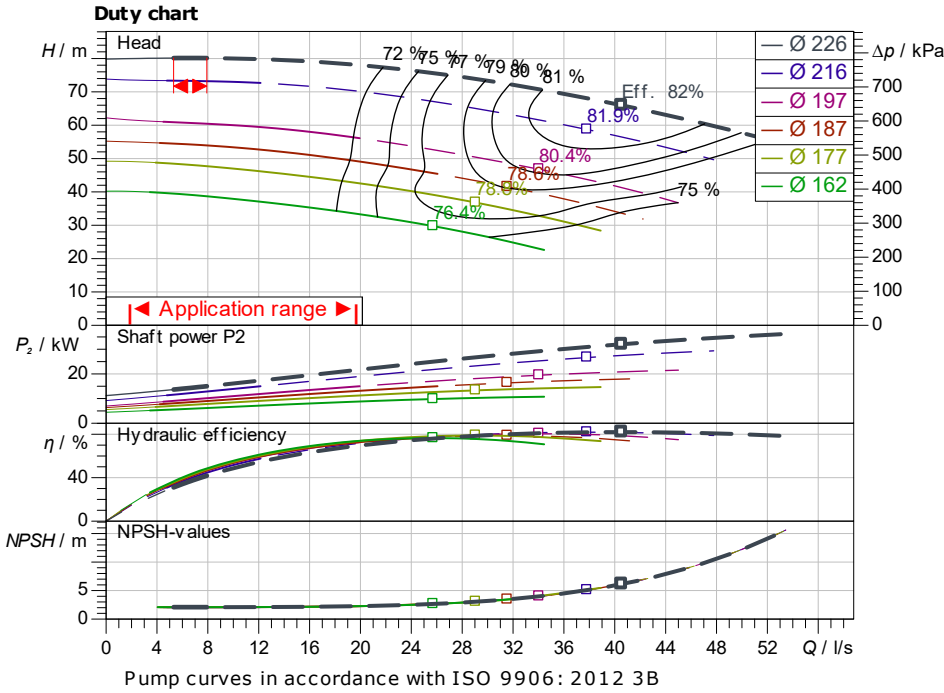
Technical data

Glanded standard pump
Atmos GIGA-NHT 65/200-15/2-S2

Project ID Untitled project 2025-03-01 20:45:47.557

Project name
Installation location
Customer pos. No.

Date 2025-03-01



Requested data

Flow
Head
Media Water 100 %
Fluid temperature 20.00 °C
Density 998.30 kg/m³
Kin. viscosity 1.00 mm²/s

Hydraulic data (Duty point)

Flow
Head
Shaft power P_2
Hydraulic efficiency
NPSH
Impeller size 226

Product data

Glanded standard pump
Atmos GIGA-NHT 65/200-15/2-S2
Max. operating pressure 2,500 kPa
Fluid temperature -20 °C ... +350 °C
Max. ambient temperature 50 °C
Minimum efficiency index (MEI)

Motordata per Motor/Pump

Motor efficiency level IE3
Mains connection 3~ 400 V / 50 Hz
Permitted voltage tolerance +10 %
Max. speed 2,945 1/min
Rated power P_2 15.00 kW
Rated current 27.70 A
Power factor 0.79
Efficiency 50% / 75% / 100% 90.9/91.8/92.1%
Degree of protection IP55
Insulation class F
Motor protection PTC integrated

Fitting dimensions

Pipe connection on the suction side DN 80, PN 25
Pipe connection (pressure side) DN 65, PN 25
Port to Port

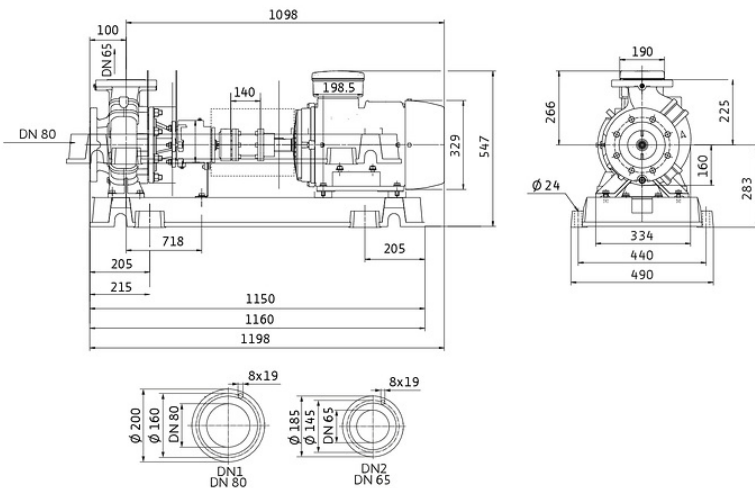
Materials

Pump housing EN-GJS-400-15

Impeller EN-GJL-200
Shaft 1.4028
Shaft seal AQ1VGG

Information for order placements

Weight approx.
Item number 6095338



Dimensions mm



Contact
E-mail
Phone

Customer

Contact
E-mail
Phone

Hydraulic data

Glanded standard pump
Atmos GIGA-NHT 65/200-15/2-S2

Project ID: Untitled project 2025-03-01 20:45:47.557

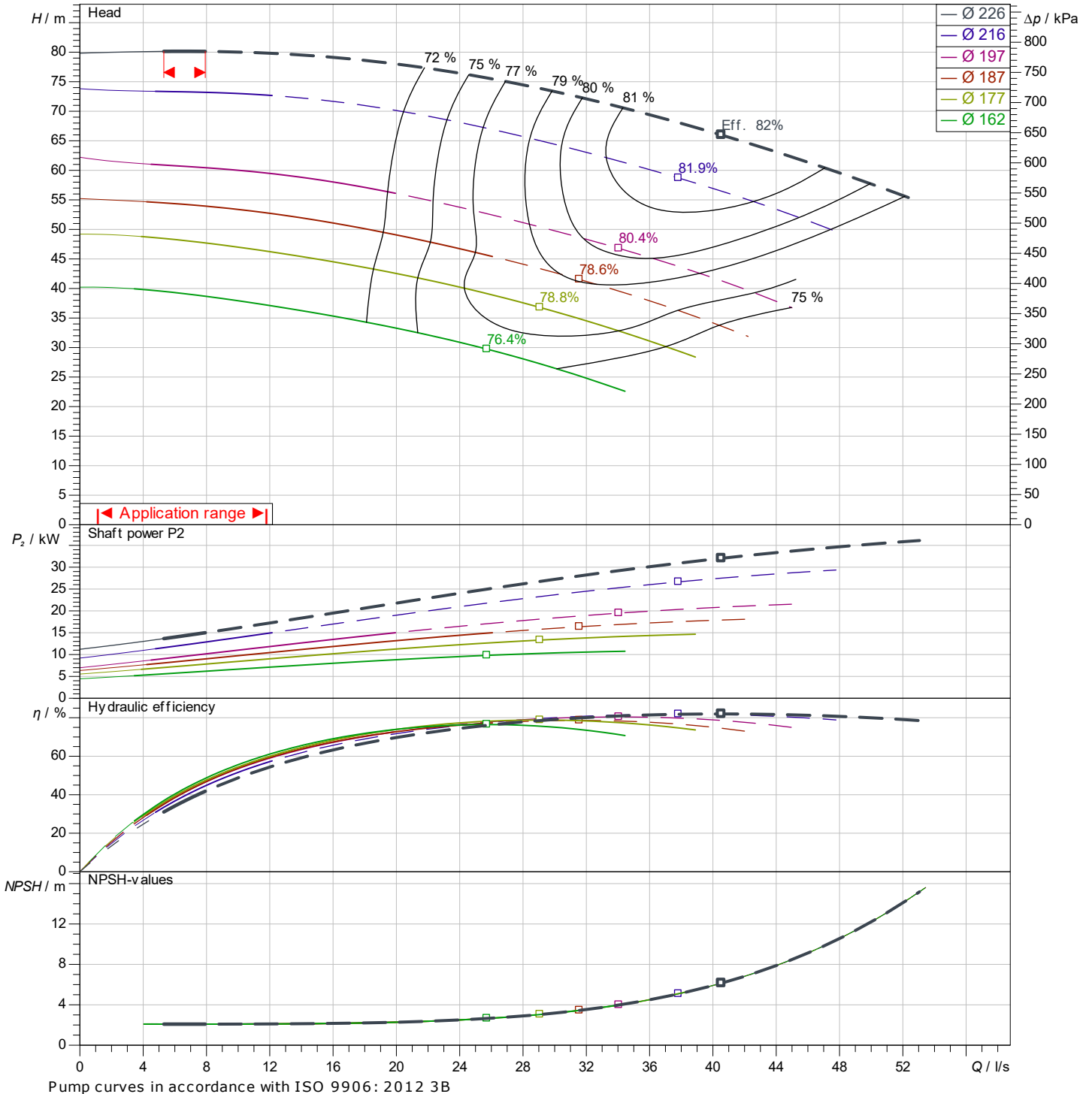
Project name
Installation location
Customer pos. No.

Date: 2025-03-01

Operating data

Rotational speed 2966 1/min	Frequency 50 Hz	Duty point Q =	H =	Suction port DN 80	Discharge port DN 65
---------------------------------------	---------------------------	--------------------------	------------	------------------------------	--------------------------------

Power data referred to: Water; 20°C; 998.3kg/m³; 1.005mm²/s ±10 % tolerance with linear U/f frequency control



Pump curves in accordance with ISO 9906: 2012 3B

Contact
E-mail
Phone

Customer

Contact
E-mail
Phone

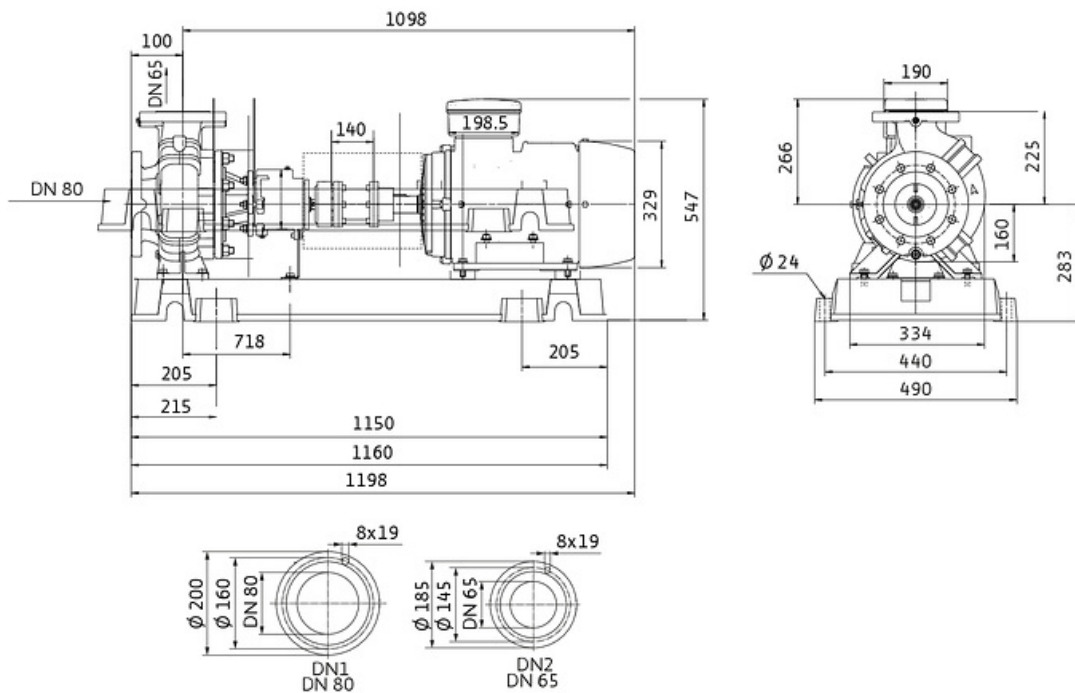
Dimensions

Glanded standard pump
Atmos GIGA-NHT 65/200-15/2-S2

Project ID Untitled project 2025-03-01 20:45:47.557

Project name
Installation location
Customer pos. No.

Date 2025-03-01



Standard

Suction side DN 80, PN 25
Discharge side DN 65, PN 25

Dimensions mm

Name	Value	Name	Value	Name	Value	Name	Value
------	-------	------	-------	------	-------	------	-------