

**Customer**

## Technical data

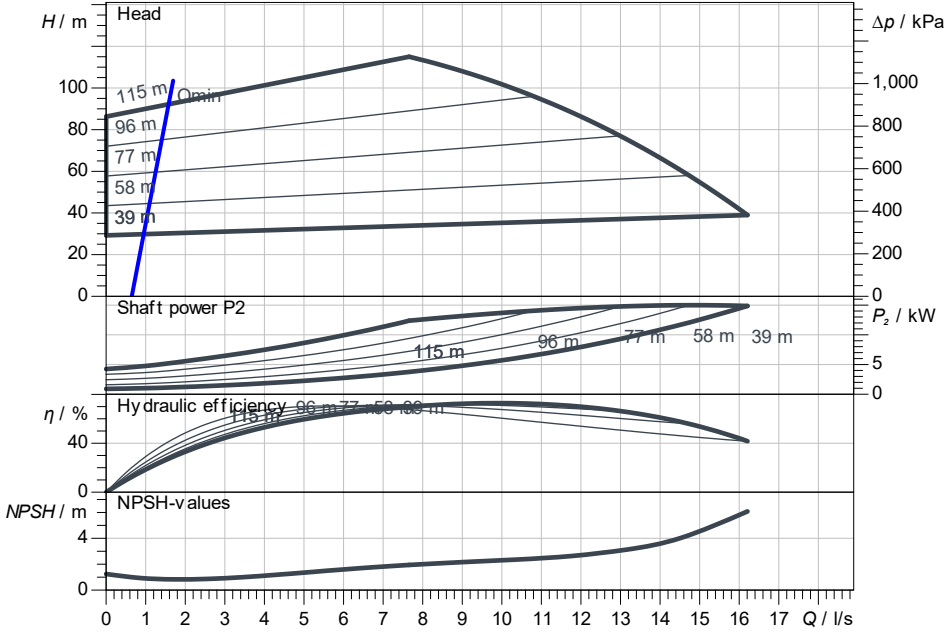
### High-pressure multistage centrifugal pump Helix VE 3605-1/25/E/KS/3

Project ID                      Untitled project 2025-03-03 15:12:38.853

Project name  
Installation location  
Customer pos. No.

Date                      2025-03-03

#### Duty chart

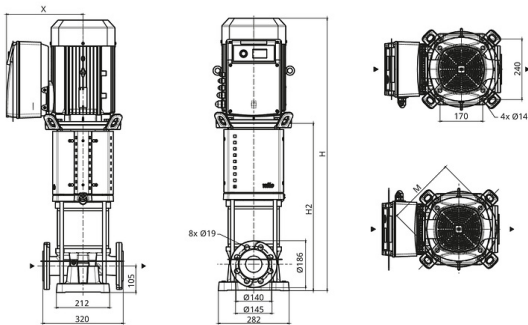


ISO 9906: 2012 3B

#### Dimensions

H	1,37
H2	879
ØM	217
X	386
X	386

mm



#### Requested data

Flow	
Head	
Media	Water 100 %
Fluid temperature	20.00 °C
Density	998.30 kg/m <sup>3</sup>
Kin. viscosity	1.00 mm <sup>2</sup> /s

#### Hydraulic data (Duty point)

Flow	
Head	
Shaft power P2	
Hydraulic efficiency	
NPSH	

#### Product data

High-pressure multistage centrifugal pump Helix VE 3605-1/25/E/KS/3	
Max. operating pressure	2,500 kPa
Inlet pressure max.	10 bar
Fluid temperature	-20 °C ... +120 °C
Max. ambient temperature	50 °C
Minimum efficiency index (MEI)	≥ 0.7

#### Motordata per Motor/Pump

Motor efficiency level	IE5
Mains connection	3~ 400 V / 50 Hz
Permitted voltage tolerance	
Rated speed	
Rated power P2	15.00 kW
Rated current	26.70 A
Power factor	
Service factor	0
Degree of protection	IP55
Insulation class	F
Motor protection	

#### Fitting dimensions

Pipe connection on the suction side	DN 65, PN 25
Pipe connection (pressure side)	DN 65, PN 25

#### Materials

Pump housing	1.4301
Impeller	1.4307
Shaft	1.4057
Shaft seal	BQ7EGG
Gasket material	EPDM

#### Information for order placements

Weight approx.	171 kg
Item number	4256892