

**Customer**

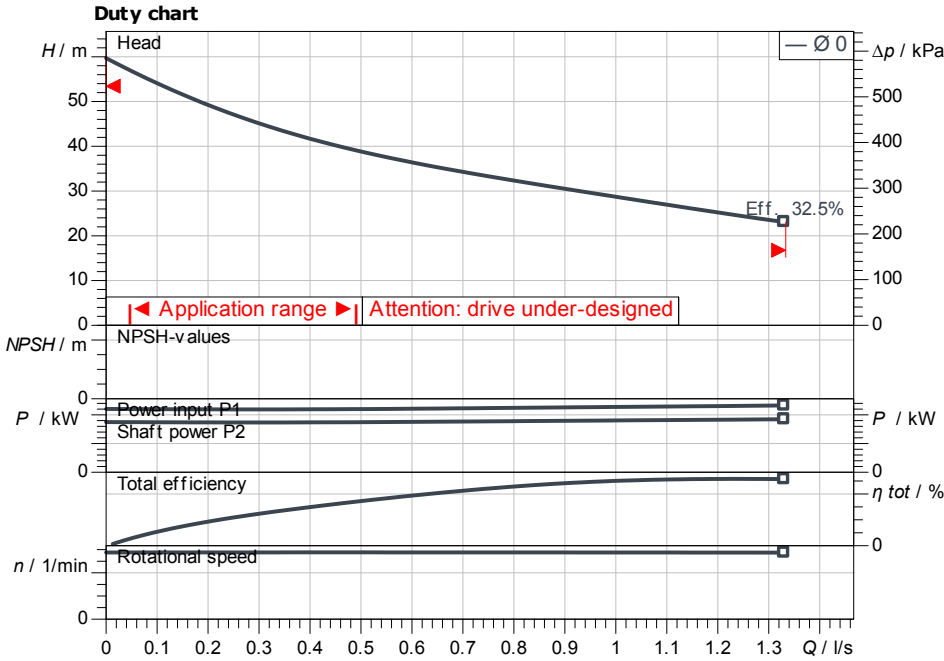
# Technical data

## High-pressure multistage centrifugal pump HWJ-204-EM/2-2

Project ID: Untitled project 2025-03-03 22:14:23.954

Project name  
Installation location  
Customer pos. No.

Date: 2025-03-03



**Requested data**

Flow	
Head	
Media	Water 100 %
Fluid temperature	20.00 °C
Density	998.30 kg/m <sup>3</sup>
Kin. viscosity	1.00 mm <sup>2</sup> /s

**Hydraulic data (Duty point)**

Flow  
Head

**Product data**

High-pressure multistage centrifugal pump HWJ-204-EM/2-2	
Max. operating pressure	600 kPa
Inlet pressure max.	100 kPa
Max. suction head	8 m
Fluid temperature	5 °C ... +35 °C
Max. ambient temperature	40 °C
Gross volume	20 l
Protection class	IP44

**Motordata per Motor/Pump**

Mains connection	1~230 V / 50 Hz
Permitted voltage tolerance	+6 %
Rated speed	2,900 1/min
Rated power $P_2$	1.00 kW
Rated current	5.30 A
Power factor	0.91

Insulation class: B  
 Motor protection:

**Fitting dimensions**

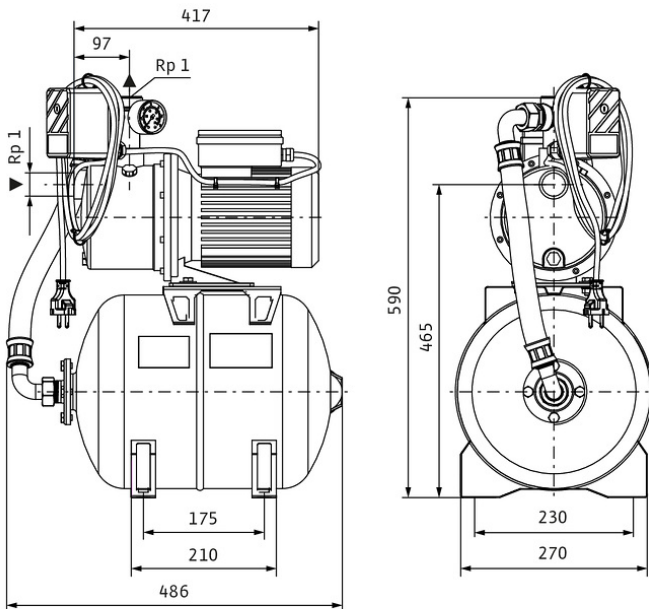
Pipe connection on the suction side	Rp 1, PN 6
Pipe connection (pressure side)	Rp 1, PN 6/10

**Materials**

Pump housing	1.4301
Impeller	1.4301
Shaft	1.4305
Shaft seal	CVPFF
Gasket material	NBR

**Information for order placements**

Weight approx.	17.2 kg
Item number	4265552



**Dimensions** mm