

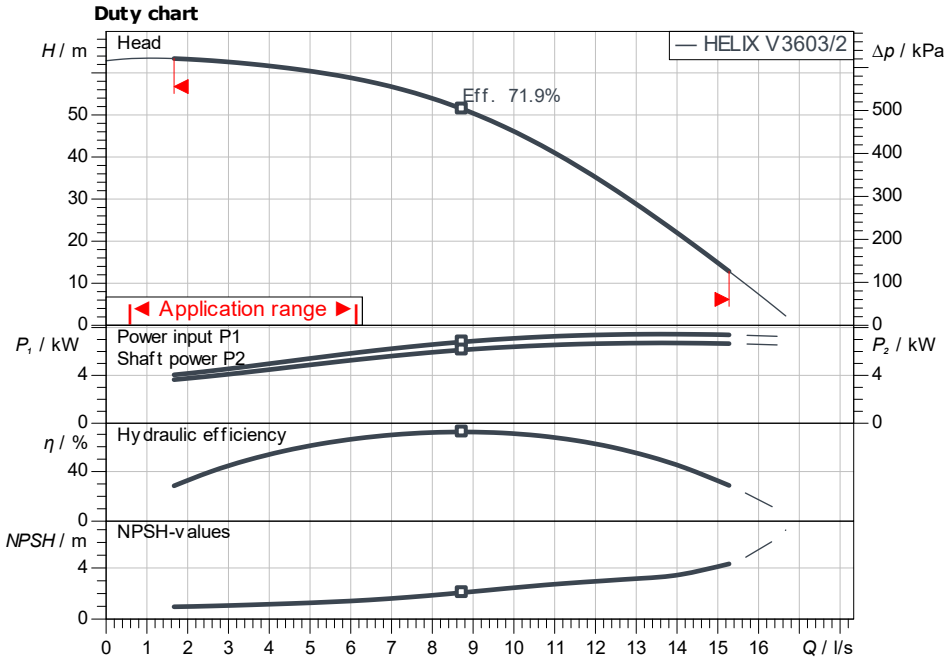
Technical data

Fire-extinguishing system FLA-1 Helix V 3603/2/K-01 PN10

Project ID: Untitled project 2025-03-03 14:15:38.327

Project name
Installation location
Customer pos. No.

Date: 2025-03-03



Requested data

Flow
Head
Media: Water 100 %
Fluid temperature: 20.00 °C
Density: 998.30 kg/m³
Kin. viscosity: 1.00 mm²/s

Hydraulic data (Duty point)

Flow
Head
Shaft power P_2

Product data

Fire-extinguishing system
FLA-1 Helix V 3603/2/K-01 PN10

No. of pumps: 1
 Max. operating pressure: 1,000 kPa
 Inlet pressure max.: 1,000
 Fluid temperature: 3 °C ... +50 °C
 Max. ambient temperature: 40 °C
 Protection class system: IP55
 Protection class of switchgear: IP54
 Diaphragm pressure vessel: Yes
 Low-water cut-out switchgear: No

Motordata per Motor/Pump

Motor efficiency level: IE3
 Mains connection: 3~ 400 V / 50 Hz
 Permitted voltage tolerance: +-10 %
 Rated speed: 2,900 1/min
 Rated power P_2 : 7.50 kW
 Rated current: 13.70 A
 Power factor: 0.88
 Efficiency: 50% / 75% / 100%
 Degree of protection: IP55
 Insulation class: F
 Motor protection: Yes

Fitting dimensions

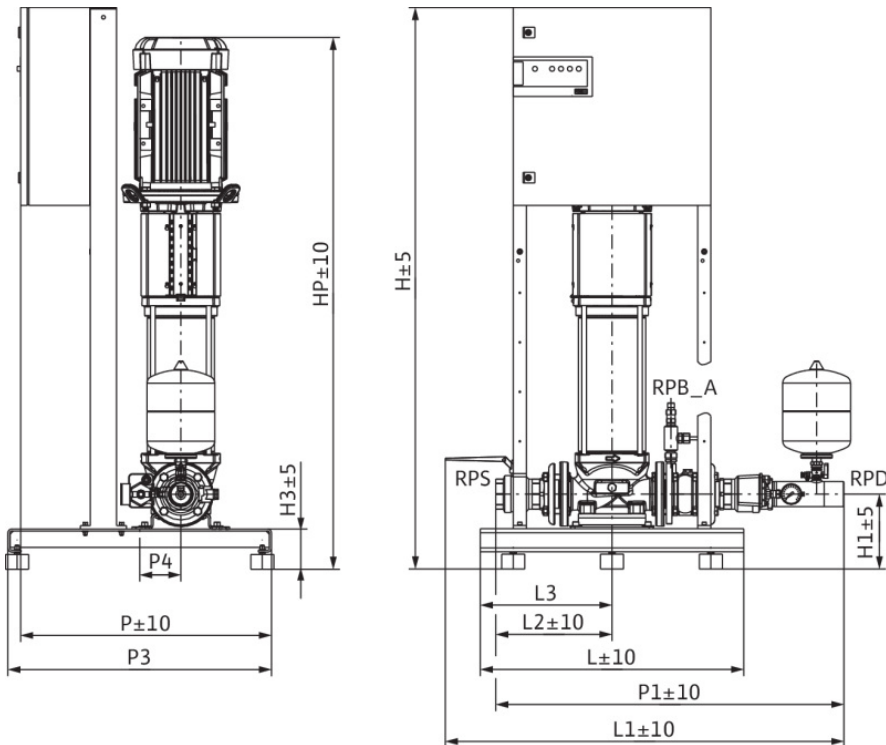
Pipe connection on the suction side: Rp 2 1/2, PN 10
 Pipe connection (pressure side): R 2 1/2, PN 16

Materials

Pump housing: 5.1301/EN-GJL-250
 Impeller: 1.4307
 Shaft: 1.4057
 Shaft seal: Q1BE3GG
 Gasket material: EPDM
 Pipework material: 1.4307

Information for order placements

Weight approx.: 197 kg
 Item number: 2534370



Dimensions mm

H	1,705	L	800	P1	1,057	RPS	Rp 2 1/2, P1
H1	230	L1	1,240	P3	800		
H3	125	L2	354	P4	125		
HP	1,048	L3	400	RPB_A	R 1 1/4		
HS	600	P	760	RPD	R 2 1/2, PN		

Customer

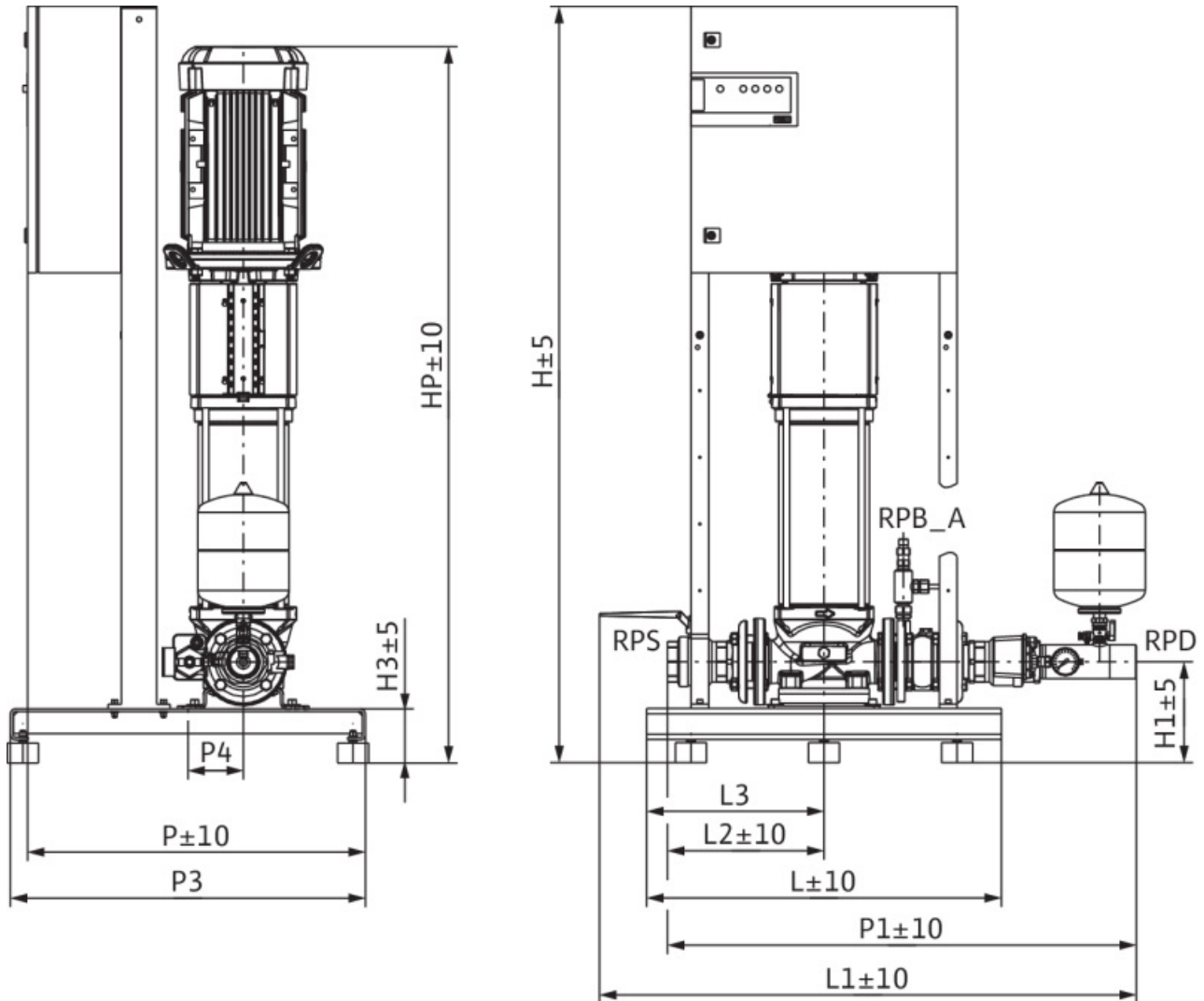
Dimensions

Fire-extinguishing system
FLA-1 Helix V 3603/2/K-01 PN10

Project ID Untitled project 2025-03-03 14:15:38.327

Project name
Installation location
Customer pos. No.

Date 2025-03-03



Standard

Suction side Rp 2½, PN 10/PN 16
Discharge side R 2½, PN 10/PN 16

Dimensions mm

Name	Value	Name	Value	Name	Value	Name	Value
H	1,705	L2	354	RPD	R 2½, PN 16		
H1	230	L3	400	RPS	Rp 2½, PN 10		
H3	125	P	760				
HP	1,048	P1	1,057				
HS	600	P3	800				
L	800	P4	125				
L1	1,240	RPB_A	R 1¼				



Contact
E-mail
Phone

Customer

Contact
E-mail
Phone

Wiring diagram

Fire-extinguishing system

FLA-1 Helix V 3603/2/K-01 PN10

Project ID: Untitled project 2025-03-03 14:15:38.327

Project name
Installation location
Customer pos. No.

Date 2025-03-03

Wiring diagram

1-phase / 3-phase **3~**

