

**Customer**

# Technical data

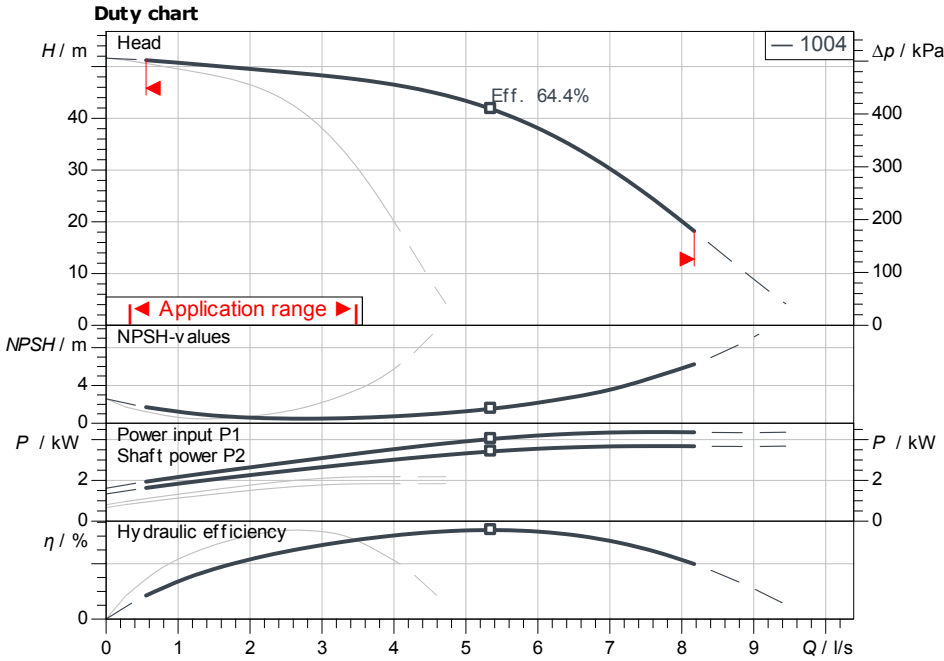
## Multi-pump system

### Isar MODH1-2CH1-L-1004/SCe

Project ID: Untitled project 2025-03-03 22:14:23.954

Project name  
Installation location  
Customer pos. No.

Date: 2025-03-03



**Requested data**

Flow  
Head  
Media: Water 100 %  
Fluid temperature: 20.00 °C  
Density: 998.30 kg/m<sup>3</sup>  
Kin. viscosity: 1.00 mm<sup>2</sup>/s

**Hydraulic data (Duty point)**

Flow  
Head  
Shaft power P2

**Product data**

Multi-pump system  
Isar MODH1-2CH1-L-1004/SCe  
Control: With frequency converter  
No. of pumps: 2  
Max. operating pressure: 1,000 kPa  
Inlet pressure max.: 6 bar  
Fluid temperature: 3 °C ... +60 °C  
Max. ambient temperature: 40 °C  
Diaphragm pressure vessel: Yes  
Low-water cut-out switchgear: Yes

**Control**

Mains connection: 1~220-230 V  
50 Hz  
Protection class of switchgear: IP54

**Motordata per Motor/Pump**

Motor efficiency level: IE3  
Rated power P2: 1.85 kW  
Rated current: 4.00 A  
Efficiency: 50% / 75% / 100%  
84.8/85.6/85.1%  
Protection class motor: IP55  
Insulation class: F  
Motor protection

**Fitting dimensions**

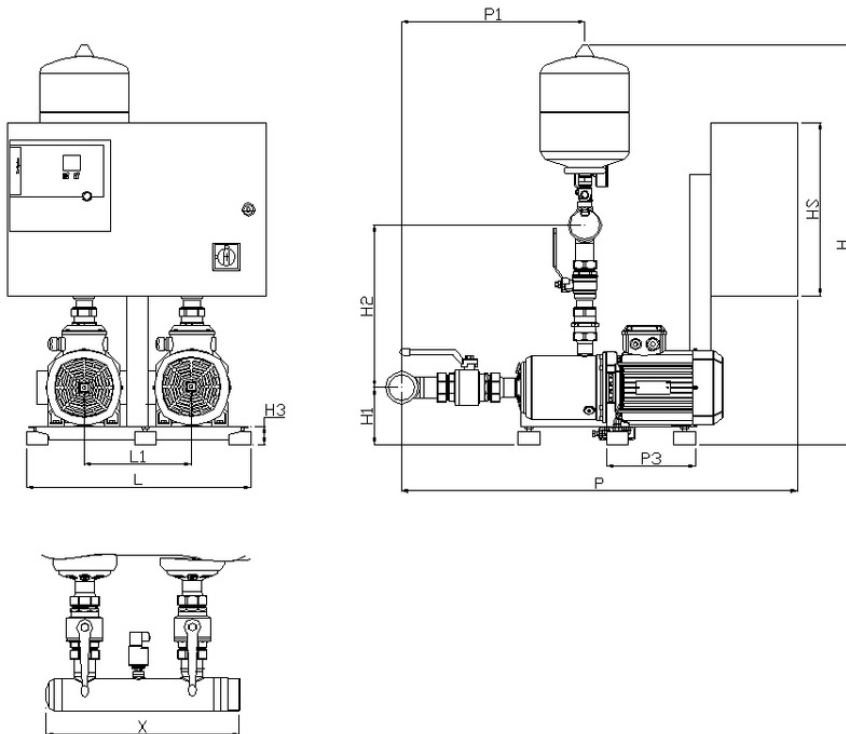
Pipe connection on the suction side: R 2, PN 10  
Pipe connection (pressure side): R 2, PN 10

**Materials**

Pump housing: 1.4301  
Impeller: 1.4301  
Shaft: 1.4301  
Shaft seal: BQ1E3GG  
Gasket material: EPDM  
Pipework material: 1.4307

**Information for order placements**

Weight approx.: 64 kg  
Item number: 29993567



**Dimensions** mm

DNd	R 2, PN 1	H3	85	P	987
DNs	R 2, PN 1	HS	400	P1	386
H	1,020	L	600	P3	300
H1	180	L1	250	X	430
H2	376	LS	600		

Contact  
E-mail  
Phone

**Customer**

Contact  
E-mail  
Phone

## Dimensions

### Multi-pump system

Isar MODH1-2CH1-L-1004/SCe

Project ID

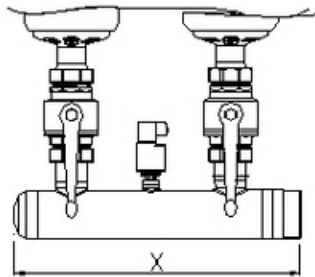
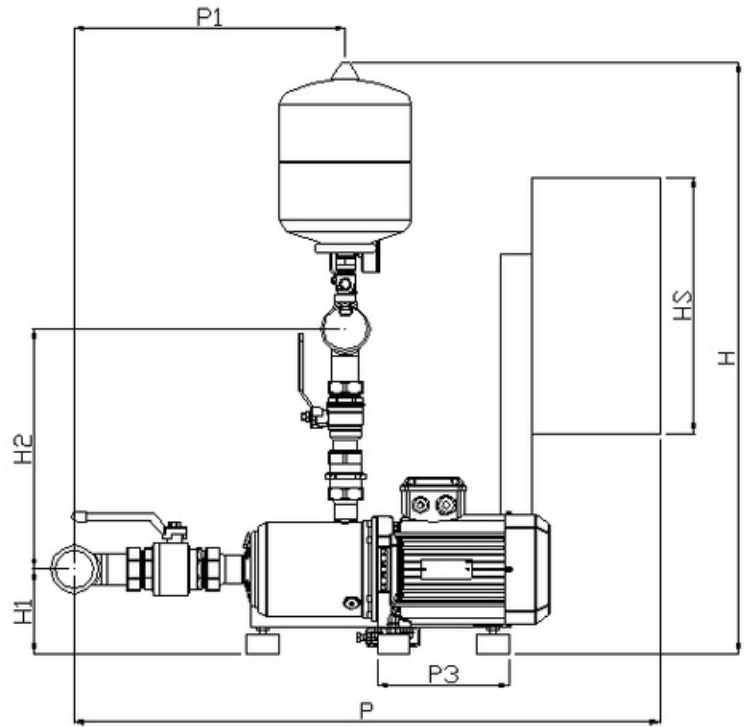
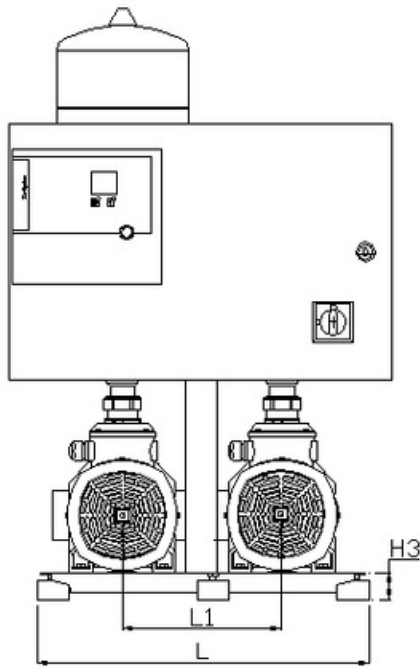
Untitled project 2025-03-03 22:14:23.954

Project name

Installation location

Customer pos. No.

Date 2025-03-03



**Standard**

Suction side R 2, PN 10  
Discharge side R 2, PN 10

**Dimensions** mm

Name	Value	Name	Value	Name	Value	Name	Value
DNd	R 2, PN 10	L	600				
DNs	R 2, PN 10	L1	250				
H	1,020	LS	600				
H1	180	P	987				
H2	376	P1	386				
H3	85	P3	300				
HS	400	X	430				