

**Customer**

## Technical data

### Multi-pump system

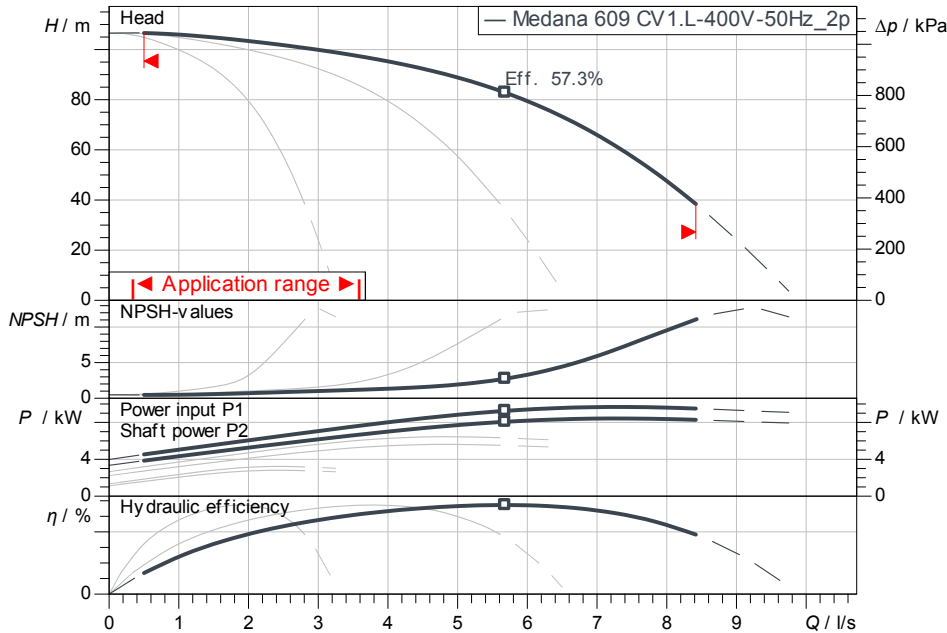
### Isar MODV1-3CV1-L-609/EC

Project ID: Untitled project 2025-03-03 22:14:23.954

Project name  
Installation location  
Customer pos. No.

Date: 2025-03-03

#### Duty chart



#### Requested data

Flow  
Head  
Media: Water 100 %  
Fluid temperature: 20.00 °C  
Density: 998.30 kg/m<sup>3</sup>  
Kin. viscosity: 1.00 mm<sup>2</sup>/s

#### Hydraulic data (Duty point)

Flow  
Head  
Shaft power P2

#### Product data

Multi-pump system  
Isar MODV1-3CV1-L-609/EC  
Control: Without frequency conversion  
No. of pumps: 3  
Max. operating pressure: 1,600 kPa  
Inlet pressure max.: 6 bar  
Fluid temperature: 3 °C ... +60 °C  
Max. ambient temperature: 40 °C  
Protection class motor: IP55  
Protection class of switchgear: IP54  
Diaphragm pressure vessel: Yes  
Low-water cut-out switchgear: No

#### Motordata per Motor/Pump

Motor efficiency level: IE3  
Mains connection: 3~ 400 V / 50 Hz  
Permitted voltage tolerance: +10 %  
Max. speed: 2,900 1/min  
Rated power P2: 3.00 kW  
Rated current: 6.60 A

Efficiency: 50% / 75% / 100% → 86.7/88.4/87.1%  
Insulation class: F  
Motor protection: Yes

#### Fitting dimensions

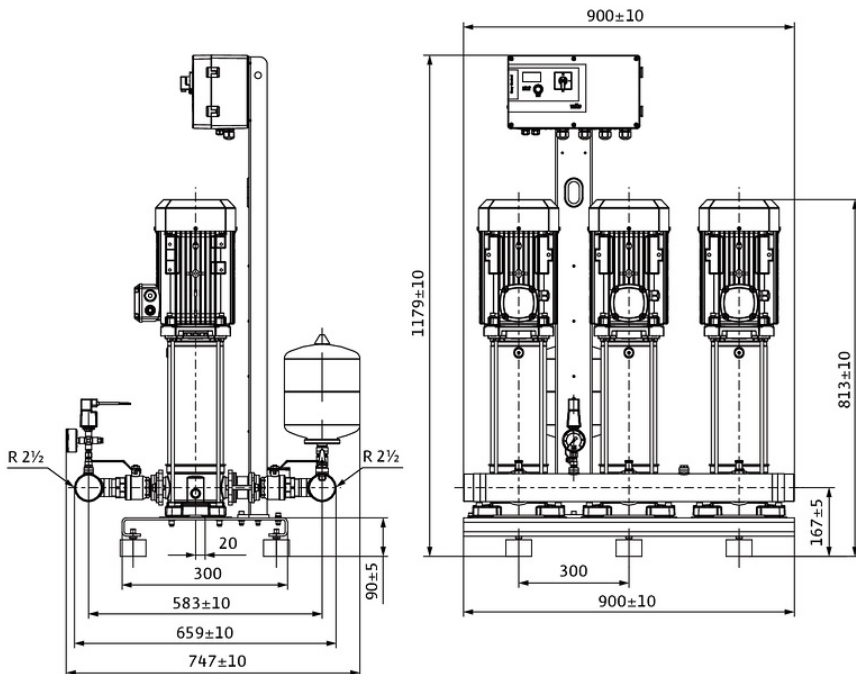
Pipe connection on the suction side: R 2½, PN 10  
Pipe connection (pressure side): R 2½, PN 16

#### Materials

Pump housing: 1.4301  
Impeller: 1.4301  
Shaft: 1.4301  
Shaft seal: BQ1E3GG  
Gasket material: EPDM  
Pipework material: 1.4307

#### Information for order placements

Weight approx.: 154 kg  
Item number: 2554153



#### Dimensions mm

Contact  
E-mail  
Phone

**Customer**

Contact  
E-mail  
Phone

## Dimensions

### Multi-pump system

Isar MODV1-3CV1-L-609/EC

Project ID

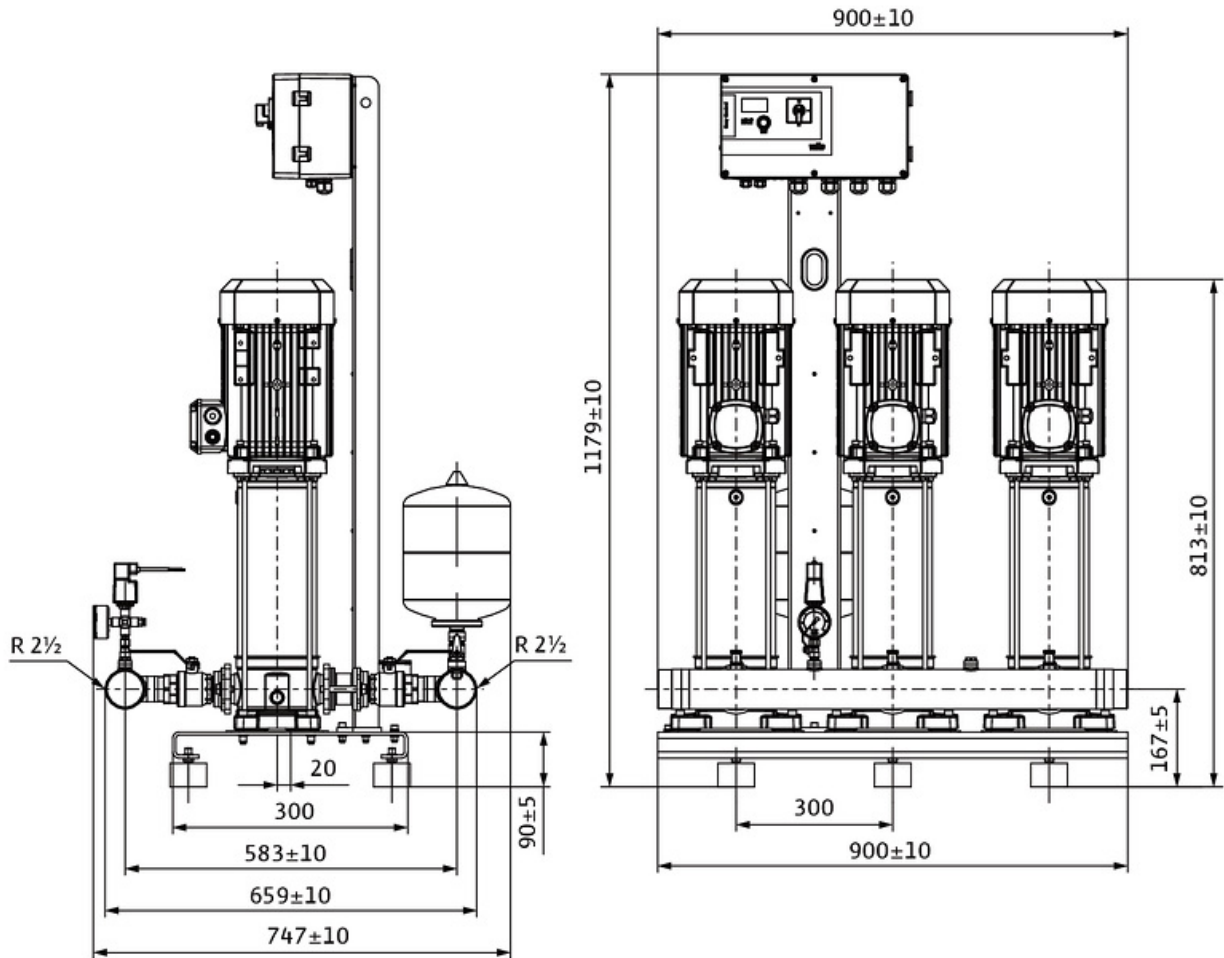
Untitled project 2025-03-03 22:14:23.954

Project name

Installation location

Customer pos. No.

Date 2025-03-03



Standard

Suction side R  $2\frac{1}{2}$ , PN 10/PN 16

Discharge side R  $2\frac{1}{2}$ , PN 10/PN 16

**Dimensions** mm

Name	Value	Name	Value	Name	Value	Name	Value
------	-------	------	-------	------	-------	------	-------