

Contact  
E-mail  
Phone

**Customer**

Contact  
E-mail  
Phone

## Technical data

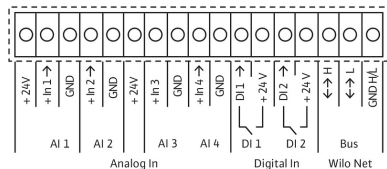
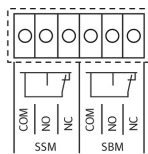
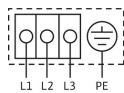
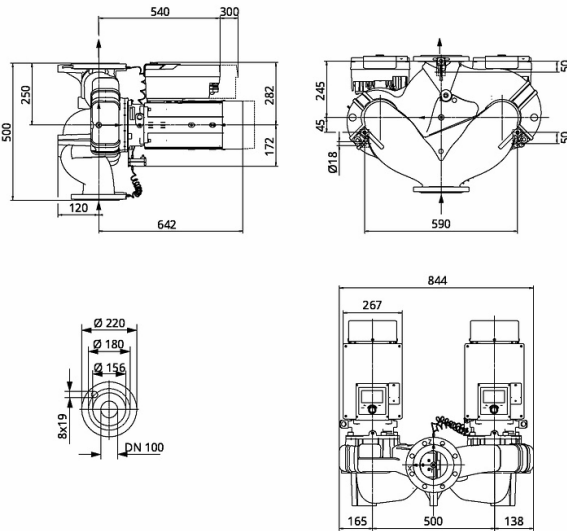
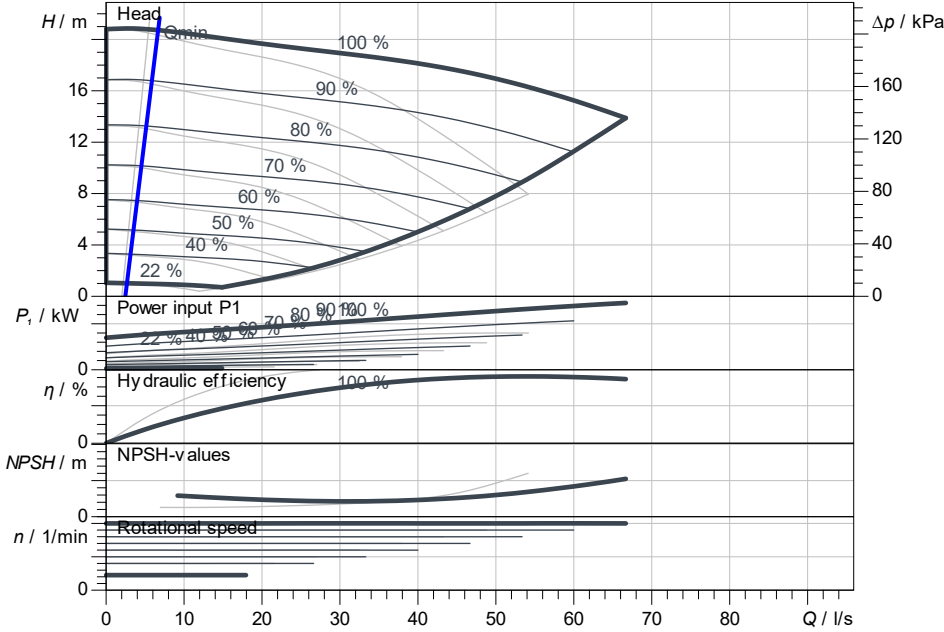
### Glanded high-efficiency twin-head pump Stratos GIGA2.0-D 100/1-18/7,5

Project ID: Untitled project 2025-03-04 05:18:48.548

Project name  
Installation location  
Customer pos. No.

Date: 2025-03-04

#### Duty chart



#### Requested data

Flow	
Head	
Media	Water 100 %
Fluid temperature	20.00 °C
Density	998.30 kg/m <sup>3</sup>
Kin. viscosity	1.00 mm <sup>2</sup> /s

#### Hydraulic data (Duty point)

Flow	
Head	
Power input P1	
NPSH	

#### Product data

Glanded high-efficiency twin-head pump	
Stratos GIGA2.0-D 100/1-18/7,5	
Kind of operation	n-const ADD
Max. operating pressure	1,600 kPa
Fluid temperature	-20 °C ... +140 °C
Max. ambient temperature	50 °C
Minimum efficiency index (MEI)	≥ 0.7

#### Motordata per Motor/Pump

Motor design	EC motor
Efficiency class	IE5
Mains connection	3~ 400 V / 50 Hz
Permitted voltage tolerance	+ -10 %
Max. speed	2,000 1/min
Rated power P2	7.50 kW
Rated current	14.30 A
Degree of protection	IP55
Insulation class	F
Motor protection	PTC integrated

#### Fitting dimensions

Pipe connection on the suction side	DN 100, PN 16
Pipe connection (pressure side)	DN 100, PN 16
Port to Port	500 mm

#### Materials

Pump housing	5.1301/EN-GJL-250
Impeller	EN-GJL-200
Lantern	5.1301, EN-GJL-250 cataphoretic-
Shaft	1.4057
Shaft seal	AQ1EGG

#### Information for order placements

Weight approx.	215 kg
Item number	2205656