

Customer

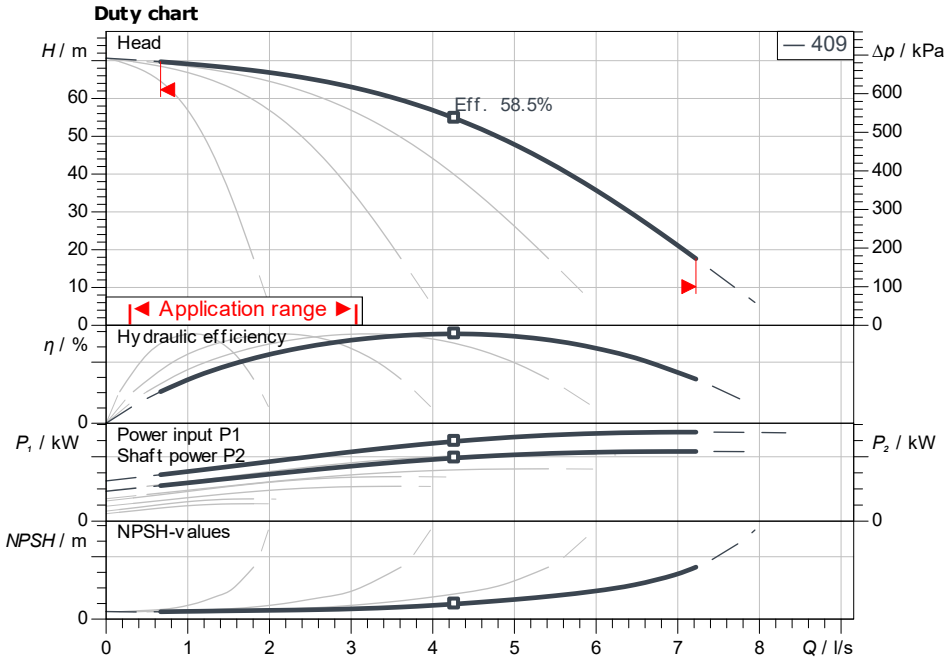
Technical data

Multi-pump system SiBoost Smart 4 Helix V 409

Project ID: Untitled project 2025-03-04 01:04:54.425

Project name
Installation location
Customer pos. No.

Date: 2025-03-04



Requested data

Flow
Head
Media: Water 100 %
Fluid temperature: 20.00 °C
Density: 998.30 kg/m³
Kin. viscosity: 1.00 mm²/s

Hydraulic data (Duty point)

Flow
Head
Shaft power P2

Product data

Multi-pump system
SiBoost Smart 4 Helix V 409

No. of pumps: 4
 Max. operating pressure: 1,600 kPa
 Inlet pressure max.: 1,000
 Fluid temperature: 3 °C ... +50 °C
 Max. ambient temperature: 40 °C
 Protection class system: IP55
 Protection class of switchgear: IP54
 Diaphragm pressure vessel: Yes
 Low-water cut-out switchgear: No

Motordata per Motor/Pump

Motor efficiency level: IE3
 Mains connection: 3~ 400 V / 50 Hz
 Permitted voltage tolerance: +-10 %
 Rated speed: 2,900 1/min
 Rated power P2: 1.10 kW
 Rated current: 2.50 A
 Power factor: 0.8
 Efficiency: 50% / 75% / 100%
 Degree of protection: IP55
 Insulation class: F
 Motor protection: Yes

Fitting dimensions

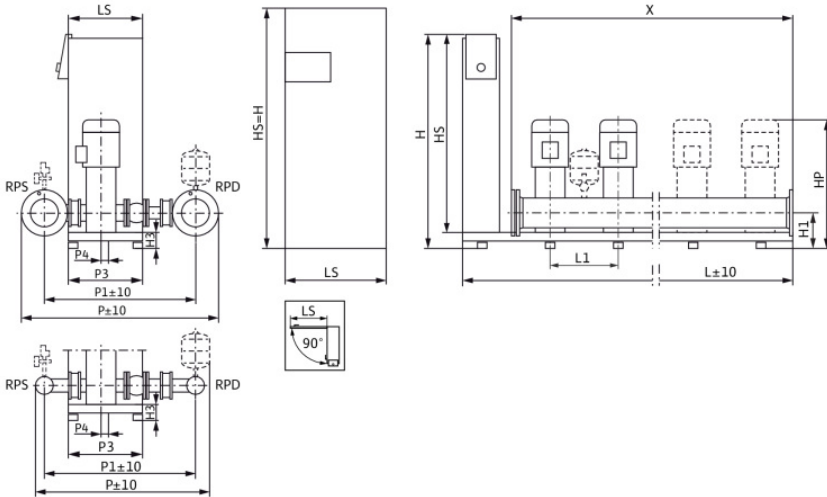
Pipe connection on the suction side: R 2, PN 10
 Pipe connection (pressure side): R 2, PN 16

Materials

Pump housing: 1.4301
 Impeller: 1.4307
 Shaft: 1.4301
 Shaft seal: Q1BE3GG
 Gasket material: EPDM
 Pipework material: 1.4307

Information for order placements

Weight approx.: 231 kg
 Item number: 2537574



Dimensions

mm

DNd	R 2, PN 1	H3	90	LS	150	X	1,200
DNs	R 2, PN 1	HP	830	P	706		
H	1,055	HS	950	P1	573		
H1	140	L	1,450	P3	420		
H2	250.2	L1	300	P4	30		

Contact
E-mail
Phone

Customer

Contact
E-mail
Phone

Dimensions

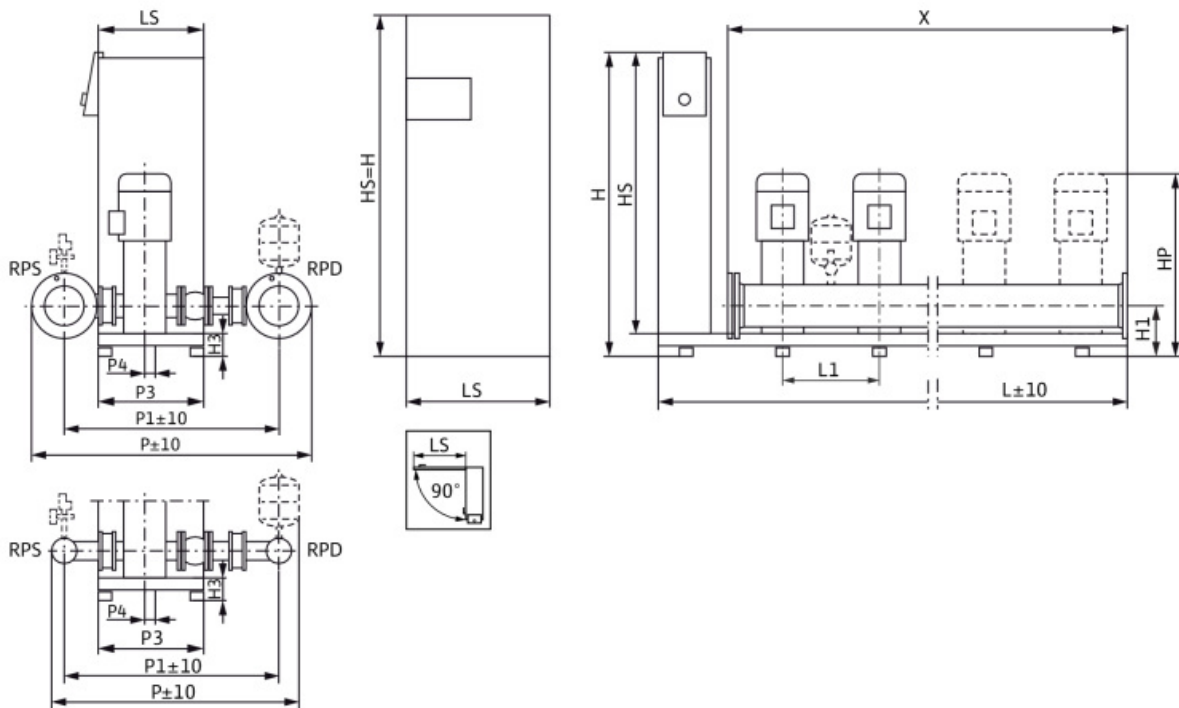
Multi-pump system

SiBoost Smart 4 Helix V 409

Project ID Untitled project 2025-03-04 01:04:54.425

Project name
Installation location
Customer pos. No.

Date 2025-03-04



Standard

Suction side R 2, PN 10/PN 16
Discharge side R 2, PN 10/PN 16

Dimensions mm

Name	Value	Name	Value	Name	Value	Name	Value
DNd	R 2, PN 16	HS	950	P4	30		
DNs	R 2, PN 10	L	1,450	X	1,200		
H	1,055	L1	300				
H1	140	LS	150				
H2	250.2	P	706				
H3	90	P1	573				
HP	830	P3	420				