

Customer

Technical data

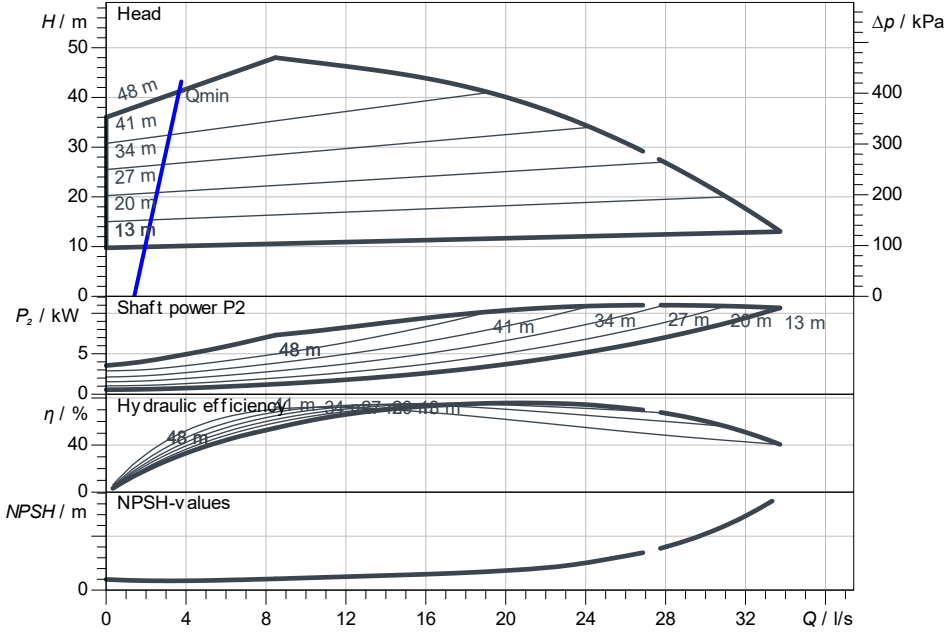
Single-pump system COR-1 MVIE 7002-GE

Project ID: Untitled project 2025-03-01 23:53:16.395

Project name
Installation location
Customer pos. No.

Date: 2025-03-01

Duty chart



Requested data

Flow
Head
Media: Water 100 %
Fluid temperature: 20.00 °C
Density: 998.30 kg/m³
Kin. viscosity: 1.00 mm²/s

Hydraulic data (Duty point)

Flow
Head
Shaft power P2

Product data

Single-pump system
COR-1 MVIE 7002-GE
Control: With frequency converter
No. of pumps: 1
Max. operating pressure: 1,600 kPa
Inlet pressure max.: 10 bar
Fluid temperature: 3 °C ... +60 °C
Max. ambient temperature: 50 °C
Protection class motor: IP55
0
Diaphragm pressure vessel: Yes
Low-water cut-out switchgear: No

Motordata per Motor/Pump

Motor efficiency level: IE5
Mains connection: 3~ 400 V / 50 Hz
Permitted voltage tolerance
Max. speed
Rated power P2: 11.00 kW
Rated current: 19.60 A

Efficiency: 50% / 75% / 100% //94.2%
Insulation class: F
Motor protection: Yes

Fitting dimensions

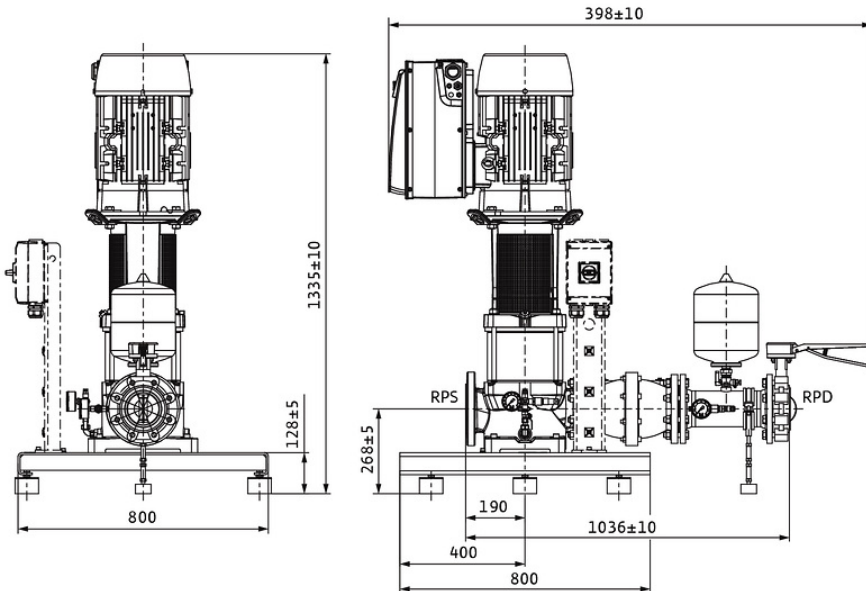
Pipe connection on the suction side: DN 100, PN 10
Pipe connection (pressure side): DN 100, PN 16

Materials

Pump housing: 5.1301/EN-GJL-250
Impeller: 1.4408
Shaft: 1.4057
Shaft seal: BQ7EGG
Gasket material: EPDM
Pipework material: 1.4404

Information for order placements

Weight approx.: 269 kg
Item number: 2551690



Dimensions mm

