

Customer

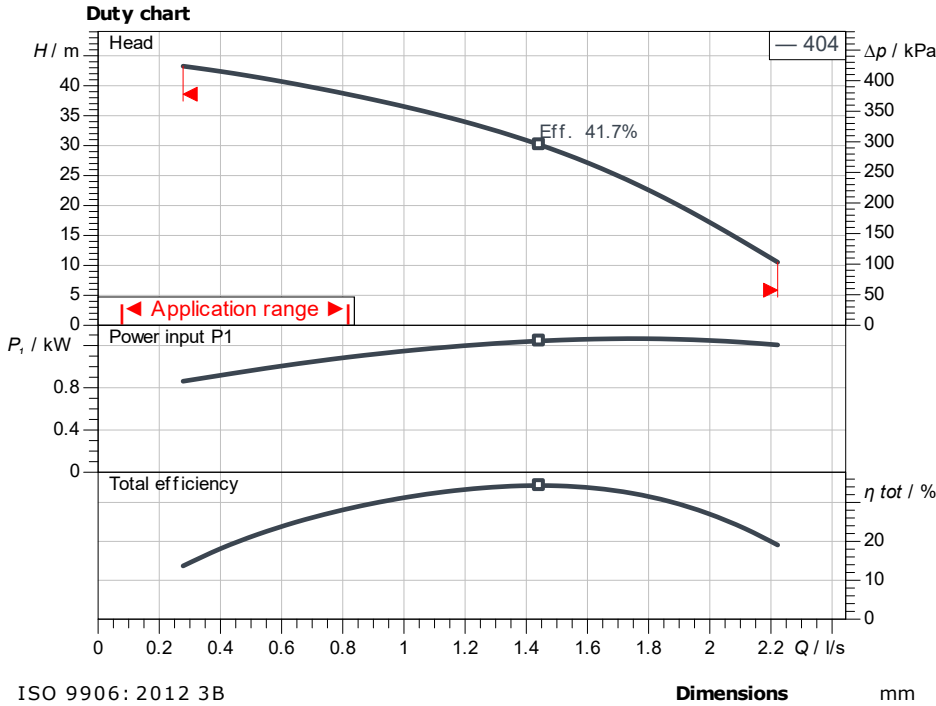
Technical data

High-pressure multistage centrifugal pump MVIS 404-1/16/K/3-400-50-2

Project ID: Untitled project 2025-03-03 23:00:00.495

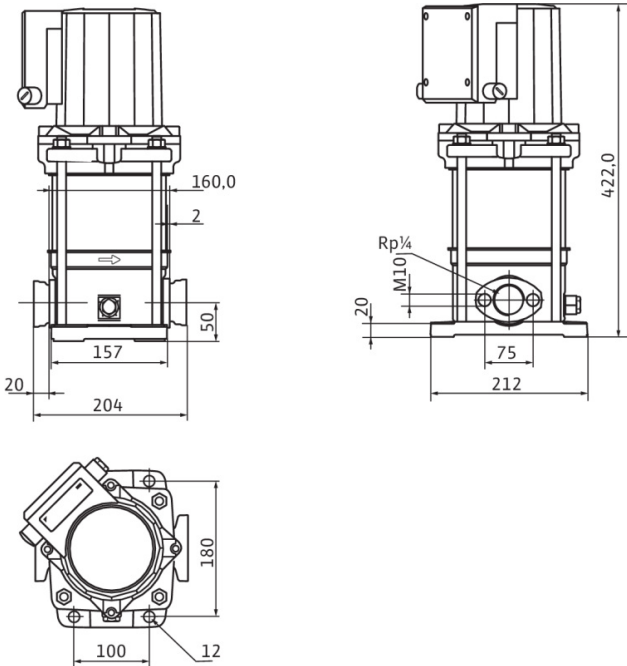
Project name
Installation location
Customer pos. No.

Date: 2025-03-03



ISO 9906: 2012 3B

Dimensions mm



Requested data

Flow
Head
Media: Water 100 %
Fluid temperature: 20.00 °C
Density: 998.30 kg/m³
Kin. viscosity: 1.00 mm²/s

Hydraulic data (Duty point)

Flow
Head
Shaft power P2
Hydraulic efficiency
NPSH

Product data

High-pressure multistage centrifugal pump
MVIS 404-1/16/K/3-400-50-2
Max. operating pressure: 1,600 kPa
Inlet pressure max.: 10 bar
Fluid temperature: -15 °C ... +50 °C
Max. ambient temperature: 40 °C

Motordata per Motor/Pump

Mains connection: 3 ~ 400 V / 50 Hz
Permitted voltage tolerance: +-10 %
Max. speed: 2,900 1/min
Rated power P2: 1.10 kW
Rated current: 4.50 A
Degree of protection: IP44
Insulation class: F
Motor protection

Fitting dimensions

Pipe connection on the suction side: G 1 1/4, PN 16
Pipe connection (pressure side): G 1 1/4, PN 16

Materials

Pump housing: 1.4301
Impeller: 1.4301
Shaft: 1.4122
Gasket material: EPDM
Stage chamber material: 1.4301

Information for order placements

Weight approx.: 22 kg
Item number: 2009044