

**Customer**

# Technical data

## Multi-pump system

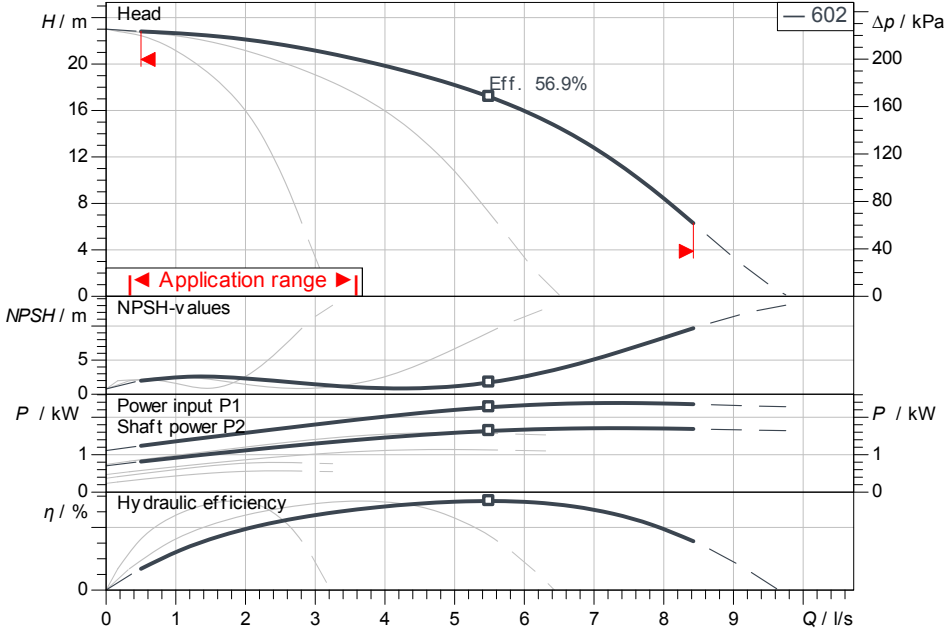
### Isar MODH1-3CH1-L-602/SCe

Project ID                      Untitled project 2025-03-03 22:14:23.954

Project name  
Installation location  
Customer pos. No.

Date                      2025-03-03

**Duty chart**



**Requested data**

Flow  
Head  
Media                      Water 100 %  
Fluid temperature                      20.00 °C  
Density                      998.30 kg/m<sup>3</sup>  
Kin. viscosity                      1.00 mm<sup>2</sup>/s

**Hydraulic data (Duty point)**

Flow  
Head  
Shaft power P2

**Product data**

Multi-pump system  
Isar MODH1-3CH1-L-602/SCe  
Control                      With frequency converter  
No. of pumps                      3  
Max. operating pressure                      1,000 kPa  
Inlet pressure max.                      6 bar  
Fluid temperature                      3 °C ... +60 °C  
Max. ambient temperature                      40 °C  
Diaphragm pressure vessel                      Yes  
Low-water cut-out switchgear                      Yes

**Control**

Mains connection                      1~220-230 V  
50 Hz  
Protection class of switchgear                      IP54

**Motordata per Motor/Pump**

Motor efficiency level                      IE2  
Rated power P2                      0.55 kW  
Rated current                      1.50 A  
Efficiency                      50% / 75% / 100%                      66.1/71.4/74.1%  
Protection class motor                      IP55  
Insulation class                      F  
Motor protection

**Fitting dimensions**

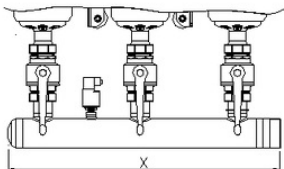
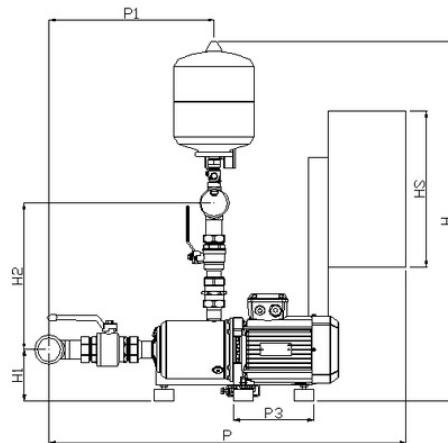
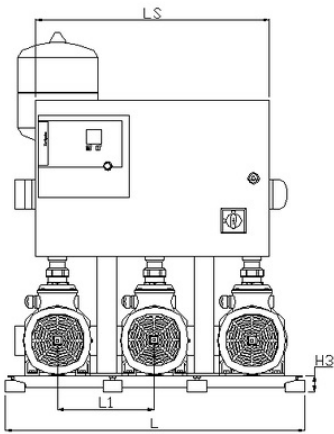
Pipe connection on the suction side                      R 2, PN 10  
Pipe connection (pressure side)                      R 2, PN 10

**Materials**

Pump housing                      1.4301  
  
Impeller                      1.4301  
Shaft                      1.4301  
Shaft seal                      BQ1E3GG  
Gasket material                      EPDM  
Pipework material                      1.4307

**Information for order placements**

Weight approx.                      64 kg  
Item number                      29993585



**Dimensions**                      mm

DNd	R 2, PN 1	H3	85	P	890
DNs	R 2, PN 1	HS	400	P1	306
H	965	L	770	P3	300
H1	185	L1	250	X	674
H2	370	LS	600		

Contact  
E-mail  
Phone

**Customer**

Contact  
E-mail  
Phone

## Dimensions

### Multi-pump system

Isar MODH1-3CH1-L-602/SCe

Project ID

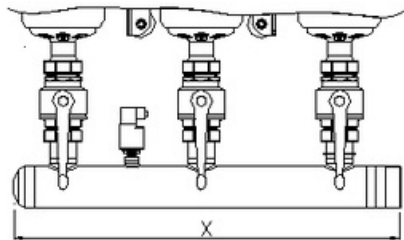
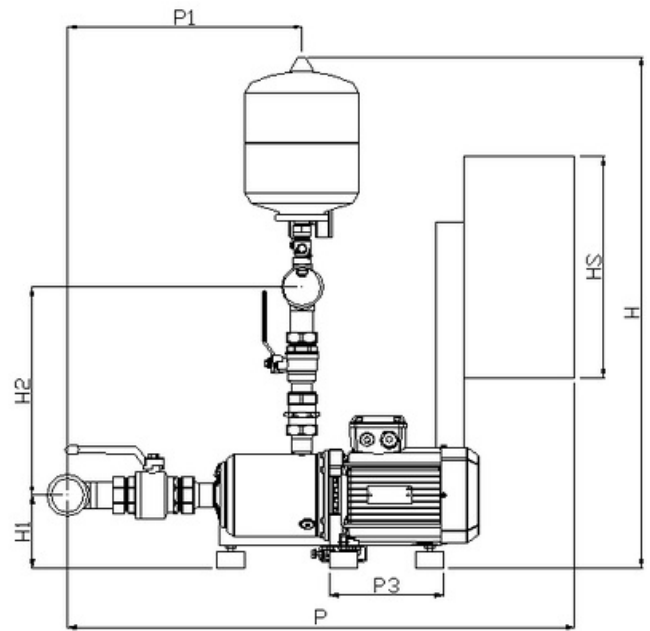
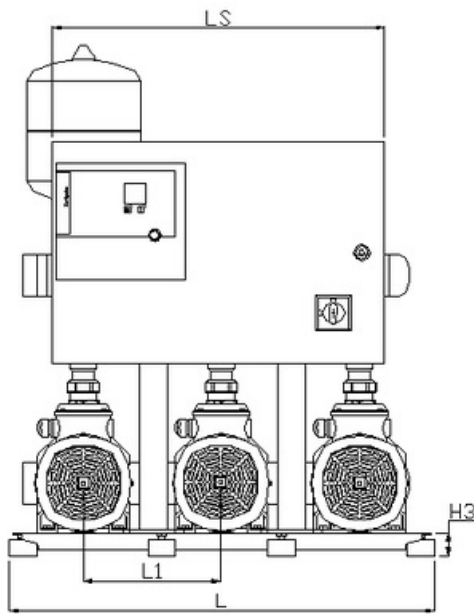
Untitled project 2025-03-03 22:14:23.954

Project name

Installation location

Customer pos. No.

Date 2025-03-03



**Standard**

Suction side R 2, PN 10  
Discharge side R 2, PN 10

**Dimensions** mm

Name	Value	Name	Value	Name	Value	Name	Value
DNd	R 2, PN 10	L	770				
DNs	R 2, PN 10	L1	250				
H	965	LS	600				
H1	185	P	890				
H2	370	P1	306				
H3	85	P3	300				
HS	400	X	674				