

**Customer**

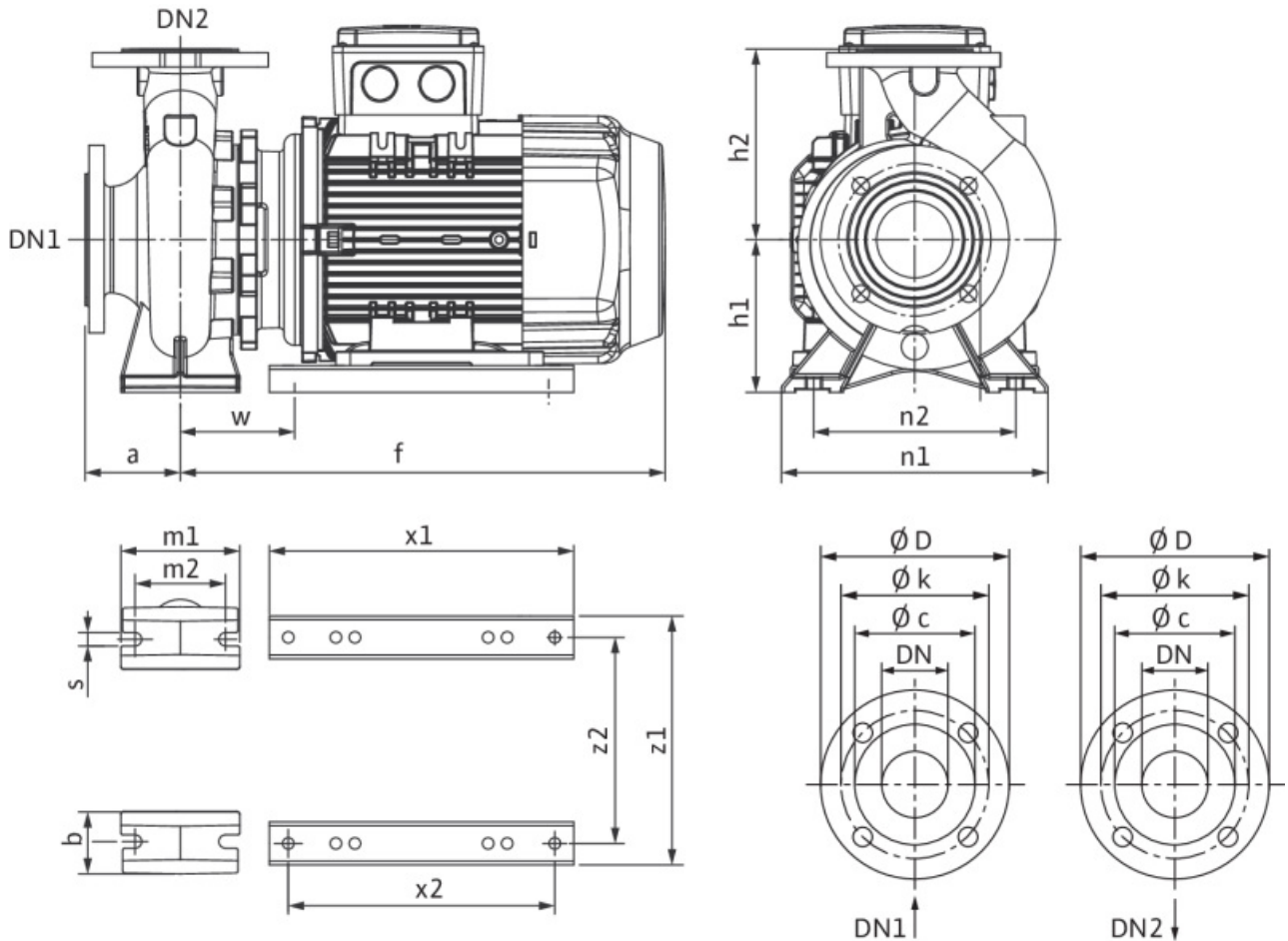
## Dimensions

Glanded monobloc pump  
BM-B 40/300-55/2

Project ID                      Untitled project 2025-03-01 21:27:50.947

Project name  
Installation location  
Customer pos. No.

Date                      2025-03-01



**Standard**

Suction side                      DN 65, PN 10  
Discharge side                      DN 40, PN 10

**Dimensions**                      mm

Name	Value	Name	Value	Name	Value	Name	Value
a	125	h1	225	Ø k	110	x2	311
b	65	h2	250	Ø d	118	z1	438
d	18	m1	125	Ø D	185	z2	356
dL	19	m2	95	Ø D	150		
DN1	DN 65, PN 10	n1	345	s	14		
DN2	DN 40, PN 10	n2	280	w	314		
f	880	Ø k	145	x1	388		

**Customer**

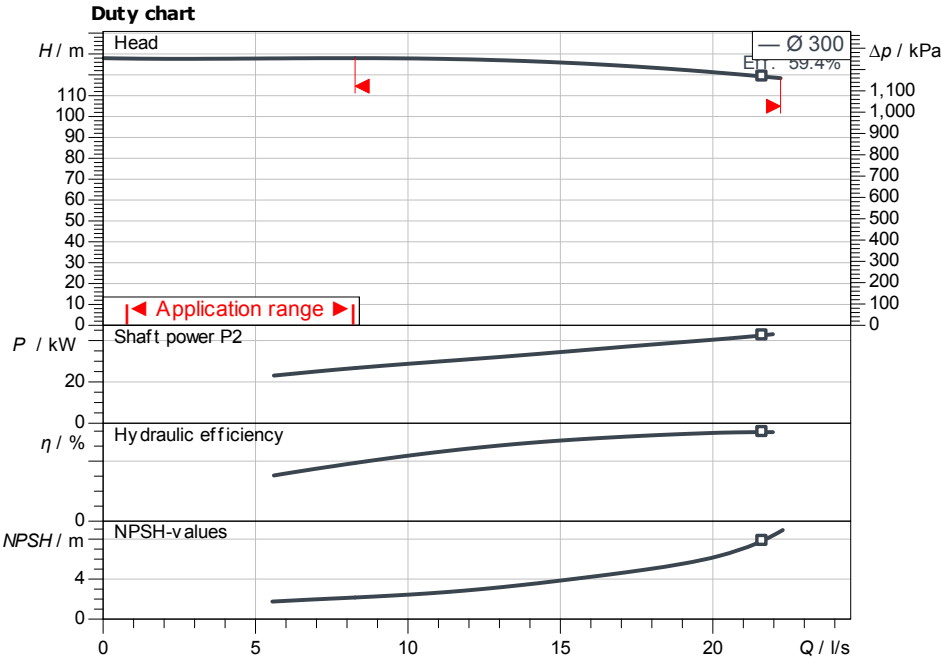
# Technical data

## Glanded monobloc pump BM-B 40/300-55/2

Project ID                      Untitled project 2025-03-01 21:27:50.947

Project name  
Installation location  
Customer pos. No.

Date                      2025-03-01



**Requested data**

Flow	
Head	
Media	Water 100 %
Fluid temperature	20.00 °C
Density	998.30 kg/m <sup>3</sup>
Kin. viscosity	1.00 mm <sup>2</sup> /s

**Hydraulic data (Duty point)**

Flow	
Head	
Shaft power $P_2$	
Hydraulic efficiency	
NPSH	

**Product data**

Glanded monobloc pump	
BM-B 40/300-55/2	
Max. operating pressure	1,600 kPa
Fluid temperature	-10 °C ... +90 °C
Max. ambient temperature	40 °C
Minimum efficiency index (MEI)	≥ 0.4

**Motordata per Motor/Pump**

Motor efficiency level	IE3
Mains connection	3~ 400 V / 50 Hz
Permitted voltage tolerance	+/- 10 %
Rated speed	2,900 1/min
Rated power $P_2$	55.00 kW
Rated current	94.40 A
Power factor	0.9
Efficiency	
50% / 75% / 100%	94.4 / 94.9 / 94.7%
Degree of protection	IP55
Insulation class	F
Motor protection	No

**Fitting dimensions**

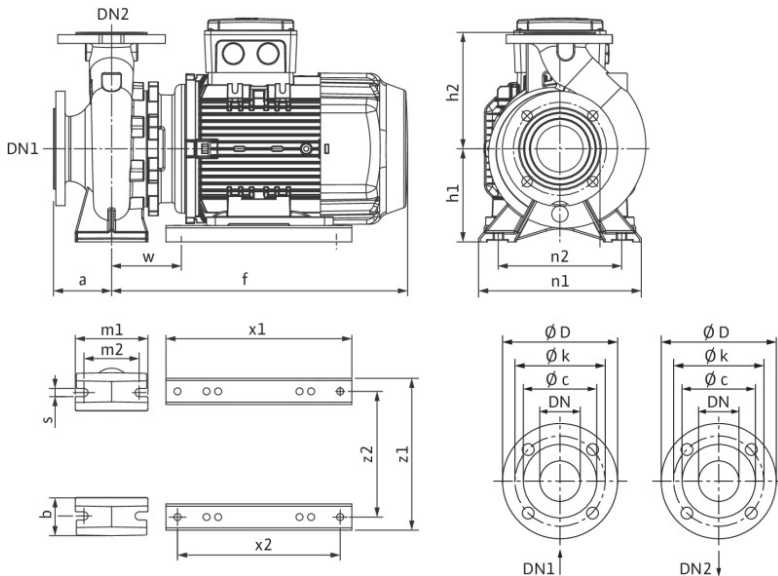
Pipe connection on the suction side	DN 65, PN 10
Pipe connection (pressure side)	DN 40, PN 10
Port to Port	-

**Materials**

Pump housing	Bronze, G-CuSn10
Impeller	Bronze, G-CuSn10
Shaft	1.4362
Shaft seal	Q1Q1VGG

**Information for order placements**

Weight approx.	342 kg
Item number	2196576





Contact  
E-mail  
Phone

Customer

Contact  
E-mail  
Phone

# Hydraulic data

Glanded monobloc pump  
BM-B 40/300-55/2

Project ID: Untitled project 2025-03-01 21:27:50.947

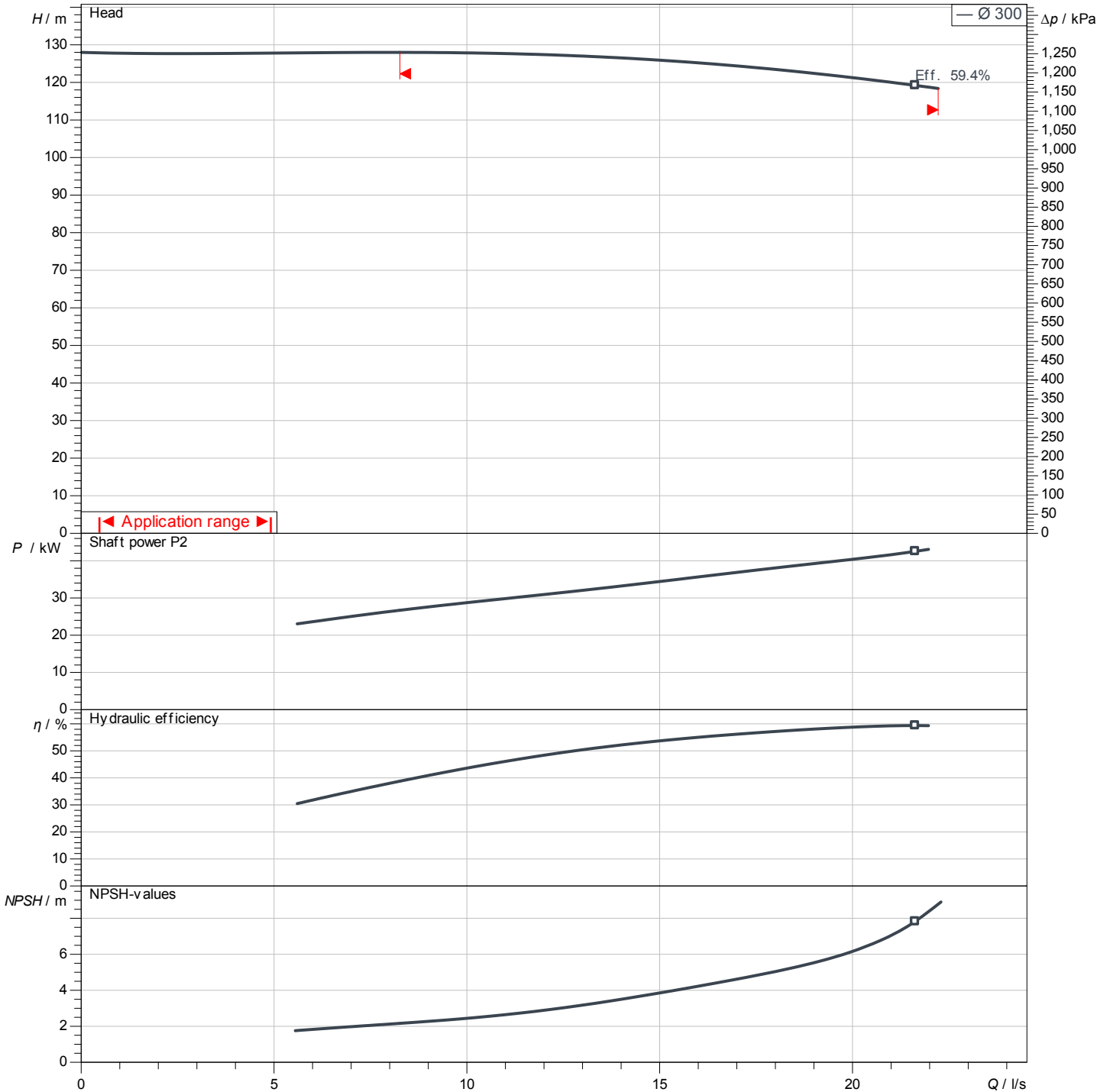
Project name  
Installation location  
Customer pos. No.

Date: 2025-03-01

## Operating data

Rotational speed <b>2900 1/min</b>	Frequency <b>50 Hz</b>	Duty point <b>Q =</b>	<b>H =</b>	Suction port <b>DN 65</b>	Discharge port <b>DN 40</b>
---------------------------------------	---------------------------	--------------------------	------------	------------------------------	--------------------------------

Power data referred to: Water; 20°C; 998.3kg/m³; 1.005mm²/s ±10 % tolerance with linear U/f frequency control



No test norm defined for this product