

Customer

Technical data

Multi-pump system

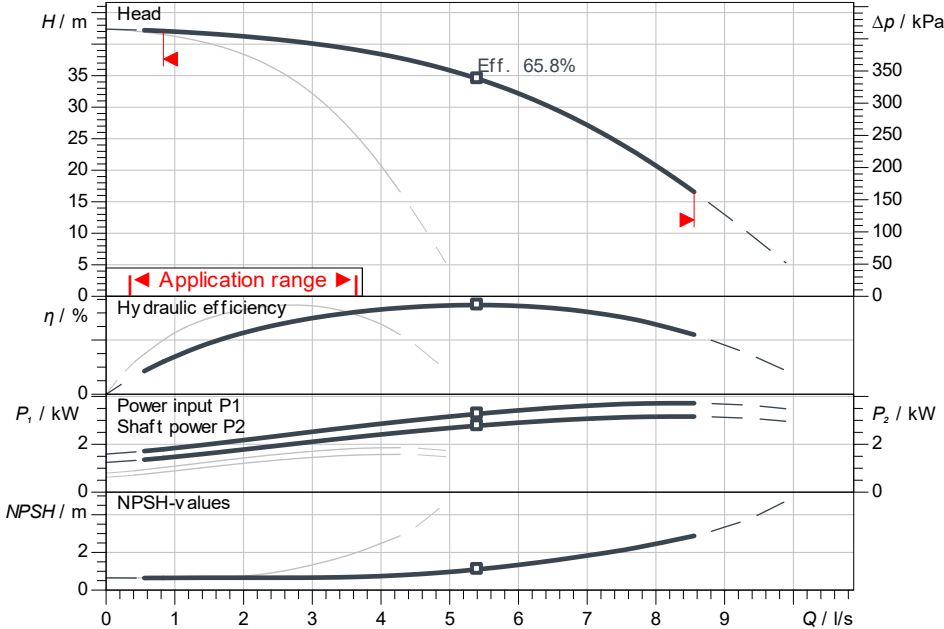
SiBoost Smart 2 Helix V 1004

Project ID: Untitled project 2025-03-04 01:04:54.425

Project name
Installation location
Customer pos. No.

Date: 2025-03-04

Duty chart



Requested data

Flow
Head
Media: Water 100 %
Fluid temperature: 20.00 °C
Density: 998.30 kg/m³
Kin. viscosity: 1.00 mm²/s

Hydraulic data (Duty point)

Flow
Head
Shaft power P2

Product data

Multi-pump system
SiBoost Smart 2 Helix V 1004

No. of pumps: 2
Max. operating pressure: 1,600 kPa
Inlet pressure max.: 600
Fluid temperature: 3 °C ... +50 °C
Max. ambient temperature: 40 °C
Protection class system: IP55
Protection class of switchgear: IP54
Diaphragm pressure vessel: Yes
Low-water cut-out switchgear: No

Motordata per Motor/Pump

Motor efficiency level: IE3
Mains connection: 3~ 400 V / 50 Hz
Permitted voltage tolerance: +10 %
Rated speed: 2,900 1/min
Rated power P2: 1.50 kW
Rated current: 3.00 A
Power factor: 0.85
Efficiency: 50% / 75% / 100%
Degree of protection: IP55
Insulation class: F
Motor protection: Yes

Fitting dimensions

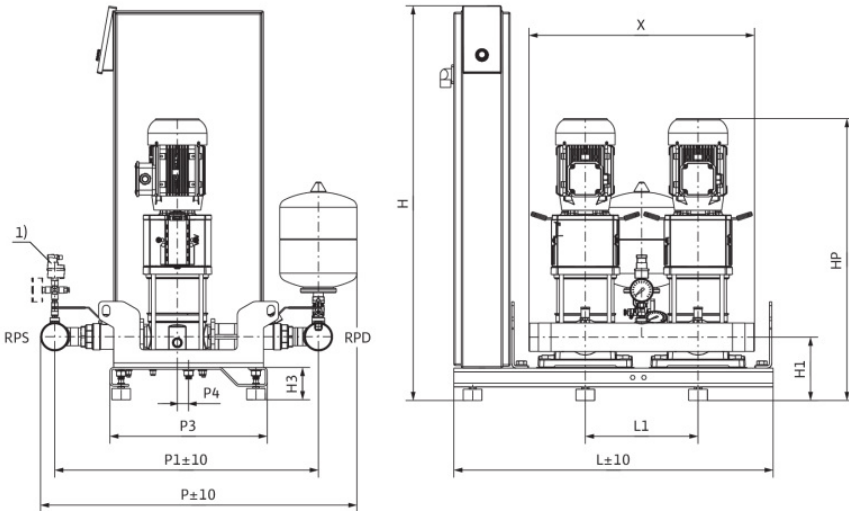
Pipe connection on the suction side: R 2½, PN 10
Pipe connection (pressure side): R 2½, PN 16

Materials

Pump housing: 1.4301
Impeller: 1.4307
Shaft: 1.4301
Shaft seal: Q1BE3GG
Gasket material: EPDM
Pipework material: 1.4307

Information for order placements

Weight approx.: 162 kg
Item number: 2536077



Dimensions		mm				
DNd	R 2½, PN H3	90	LS	150	X	600
DNs	R 2½, PN HP	821	P	845		
H	1,055	HS	950	P1	704	
H1	170	L	850	P3	420	
H2	288	L1	300	P4	30	

Contact
E-mail
Phone

Customer

Contact
E-mail
Phone

Dimensions

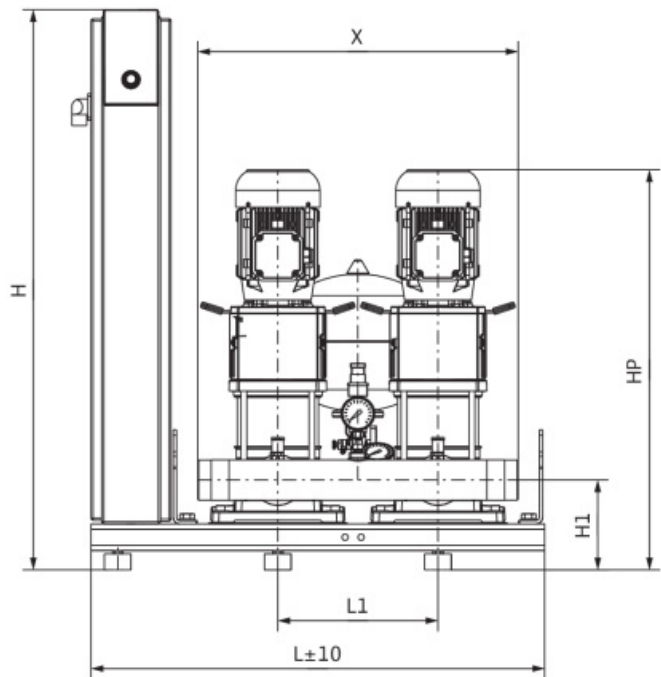
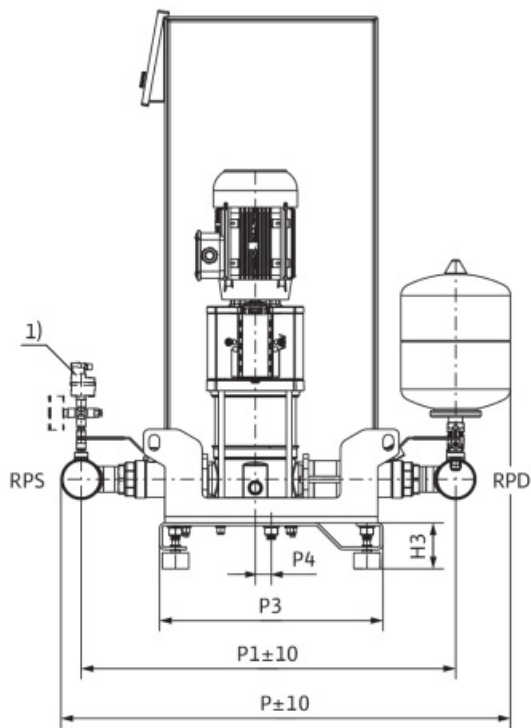
Multi-pump system

SiBoost Smart 2 Helix V 1004

Project ID Untitled project 2025-03-04 01:04:54.425

Project name
Installation location
Customer pos. No.

Date 2025-03-04



Standard

Suction side R 2½, PN 10/PN 16
Discharge side R 2½, PN 10/PN 16

Dimensions mm

Name	Value	Name	Value	Name	Value	Name	Value
DNd	R 2½, PN 16	HS	950	P4	30		
DNs	R 2½, PN 10	L	850	X	600		
H	1,055	L1	300				
H1	170	LS	150				
H2	288	P	845				
H3	90	P1	704				
HP	821	P3	420				