

Customer

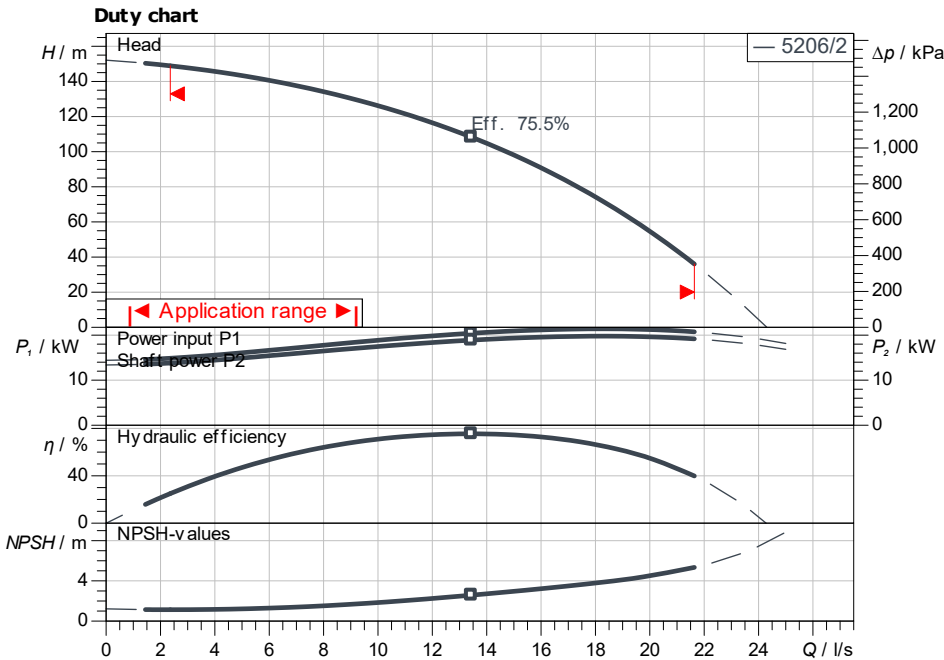
Technical data

Fire-extinguishing system FLA-2 Helix V 5206/2/K-02 PN16

Project ID: Untitled project 2025-03-03 14:15:38.327

Project name
Installation location
Customer pos. No.

Date: 2025-03-03



Requested data

Flow	
Head	
Media	Water 100 %
Fluid temperature	20.00 °C
Density	998.30 kg/m ³
Kin. viscosity	1.00 mm ² /s

Hydraulic data (Duty point)

Flow	
Head	
Shaft power P_2	

Product data

Fire-extinguishing system
FLA-2 Helix V 5206/2/K-02 PN16

No. of pumps	2
Max. operating pressure	1,600 kPa
Inlet pressure max.	1,000
Fluid temperature	3 °C ... +50 °C
Max. ambient temperature	40 °C
Protection class system	IP55
Protection class of switchgear	IP54
Diaphragm pressure vessel	Yes
Low-water cut-out switchgear	No

Motordata per Motor/Pump

Motor efficiency level	IE3
Mains connection	3~ 400 V / 50 Hz
Permitted voltage tolerance	+/- 10 %
Rated speed	2,940 1/min
Rated power P_2	22.00 kW
Rated current	39.10 A
Power factor	0.87
Efficiency	50% / 75% / 100%
Degree of protection	IP55
Insulation class	F
Motor protection	Yes

Fitting dimensions

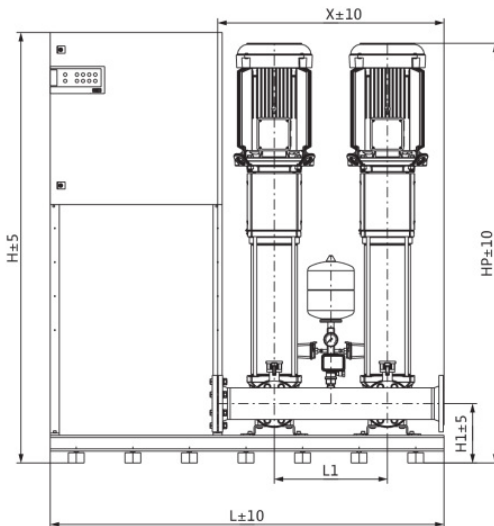
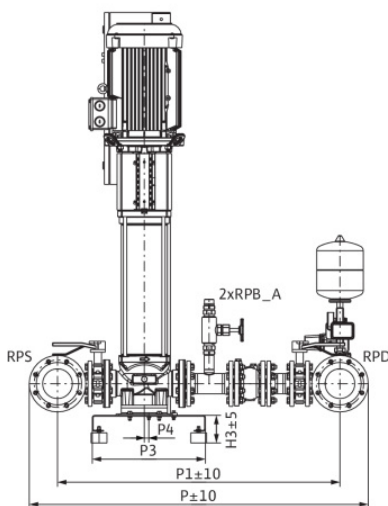
Pipe connection on the suction side	DN 125, PN 10
Pipe connection (pressure side)	DN 125, PN 16

Materials

Pump housing	5.1301/EN-GJL-250
Impeller	1.4307
Shaft	1.4057
Shaft seal	Q1BE3GG
Gasket material	EPDM
Pipework material	1.4307

Information for order placements

Weight approx.	698 kg
Item number	2534408



Dimensions

		mm			
H	1,905	L	1,740	P4	0
H1	265	L1	500	RPB_A	R 1 ¼
H3	125	P	1,498	RPD	DN 125,
HP	1,773	P1	1,248	RPS	DN 125,
HS	760	P3	500		

Contact
E-mail
Phone

Customer

Contact
E-mail
Phone

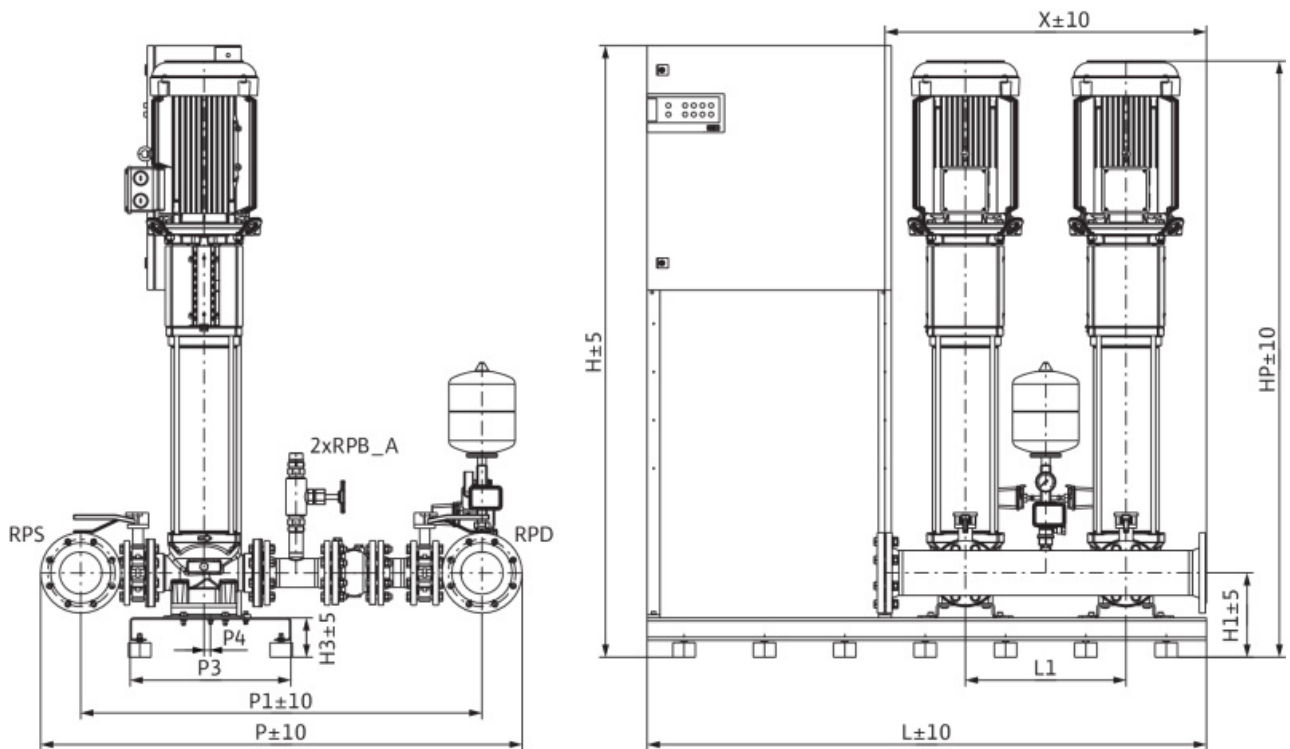
Dimensions

Fire-extinguishing system
FLA-2 Helix V 5206/2/K-02 PN16

Project ID Untitled project 2025-03-03 14:15:38.327

Project name
Installation location
Customer pos. No.

Date 2025-03-03



Standard

Suction side DN 125, PN 10/PN 16
Discharge side DN 125, PN 10/PN 16

Dimensions mm

Name	Value	Name	Value	Name	Value	Name	Value
H	1,905	P	1,498				
H1	265	P1	1,248				
H3	125	P3	500				
HP	1,773	P4	0				
HS	760	RPB_A	R 1 ¼				
L	1,740	RPD	DN 125, PN 16				
L1	500	RPS	DN 125, PN 10				