

Customer

Technical data

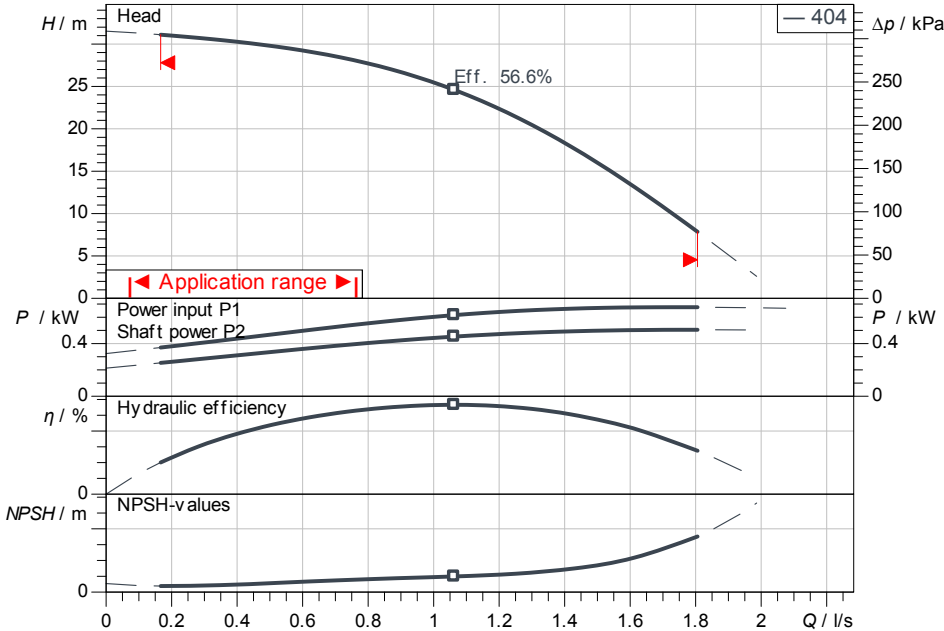
Single-pump system CO-1 Helix V 404/EC

Project ID Untitled project 2025-03-03 10:19:29.207

Project name
Installation location
Customer pos. No.

Date 2025-03-03

Duty chart



Requested data

Flow
Head
Media Water 100 %
Fluid temperature 20.00 °C
Density 998.30 kg/m³
Kin. viscosity 1.00 mm²/s

Hydraulic data (Duty point)

Flow
Head
Shaft power P2

Product data

Single-pump system
CO-1 Helix V 404/EC
Control Without frequency conversion
No. of pumps 1
Max. operating pressure 1,600 kPa
Inlet pressure max. 1,000 kPa
Fluid temperature 3 °C ... +50 °C
Max. ambient temperature 40 °C
Protection class motor IP55
Protection class of switchgear IP54
Diaphragm pressure vessel Yes
Low-water cut-out switchgear No

Motordata per Motor/Pump

Motor efficiency level IE2
Mains connection 3~ 400 V / 50 Hz
Permitted voltage tolerance +-10 %
Rated speed 2,900 1/min
Rated power P2 0.55 kW
Rated current 1.32 A
Power factor 0.85
Efficiency 50% / 75% / 100% 72.8/76.7/77.2%
Insulation class F
Motor protection Yes

Fitting dimensions

Pipe connection on the suction side G 1 1/4, PN 10
Pipe connection (pressure side) G 1 1/4, PN 16

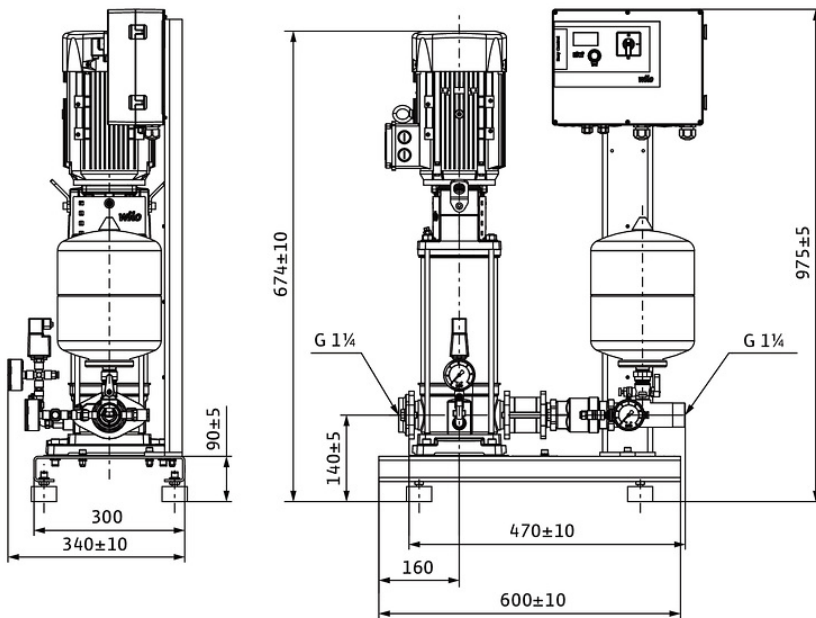
Materials

Pump housing 1.4301

Impeller 1.4307
Shaft 1.4301
Shaft seal Q1BE3GG
Gasket material EPDM
Pipework material 1.4307

Information for order placements

Weight approx. 47 kg
Item number 2554834



Dimensions

mm

Contact
E-mail
Phone

Customer

Contact
E-mail
Phone

Dimensions

Single-pump system
CO-1 Helix V 404/EC

Project ID

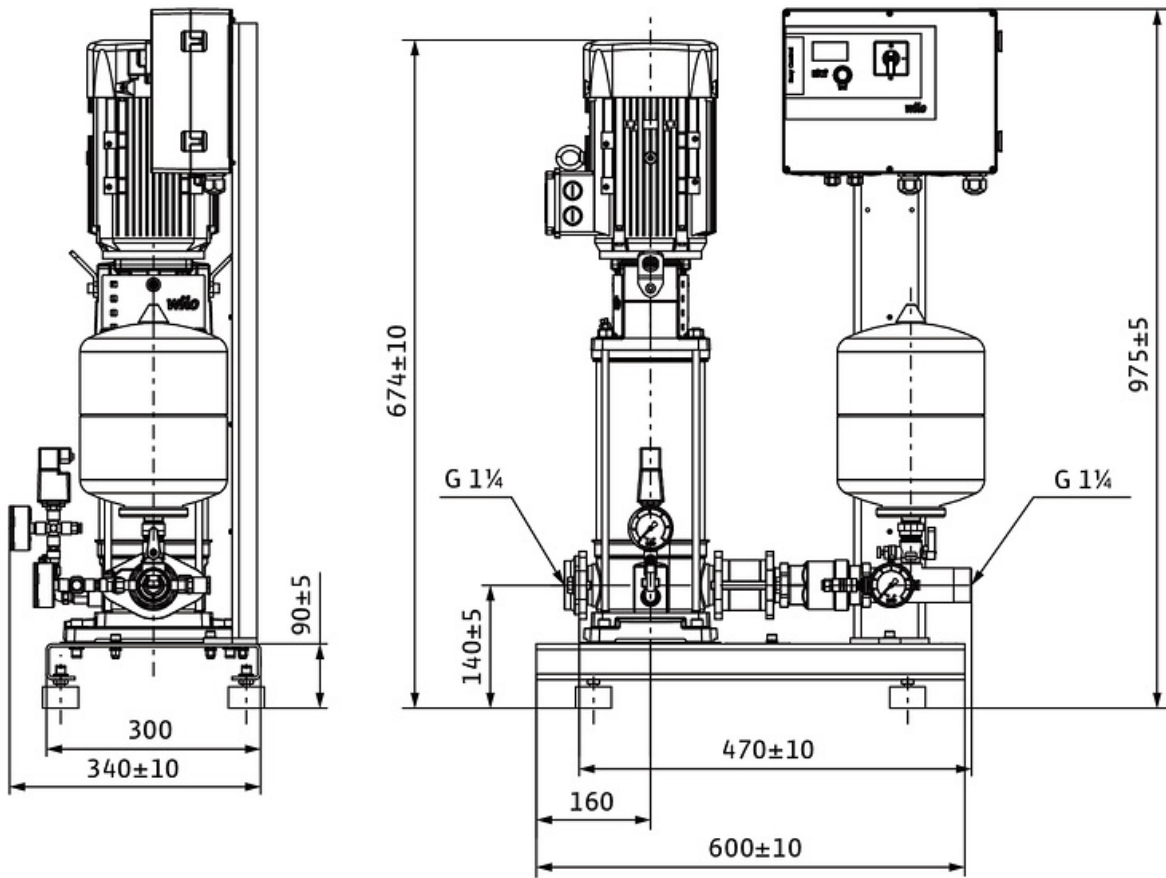
Untitled project 2025-03-03 10:19:29.207

Project name

Installation location

Customer pos. No.

Date 2025-03-03



Standard

Suction side G 1 1/4, PN 10/PN 16

Discharge side G 1 1/4, PN 10/PN 16

Dimensions mm

Name	Value	Name	Value	Name	Value	Name	Value
------	-------	------	-------	------	-------	------	-------