

**Customer**

## Dimensions

Glanded monobloc pump  
BM-B 65/135-5,5/2

Project ID

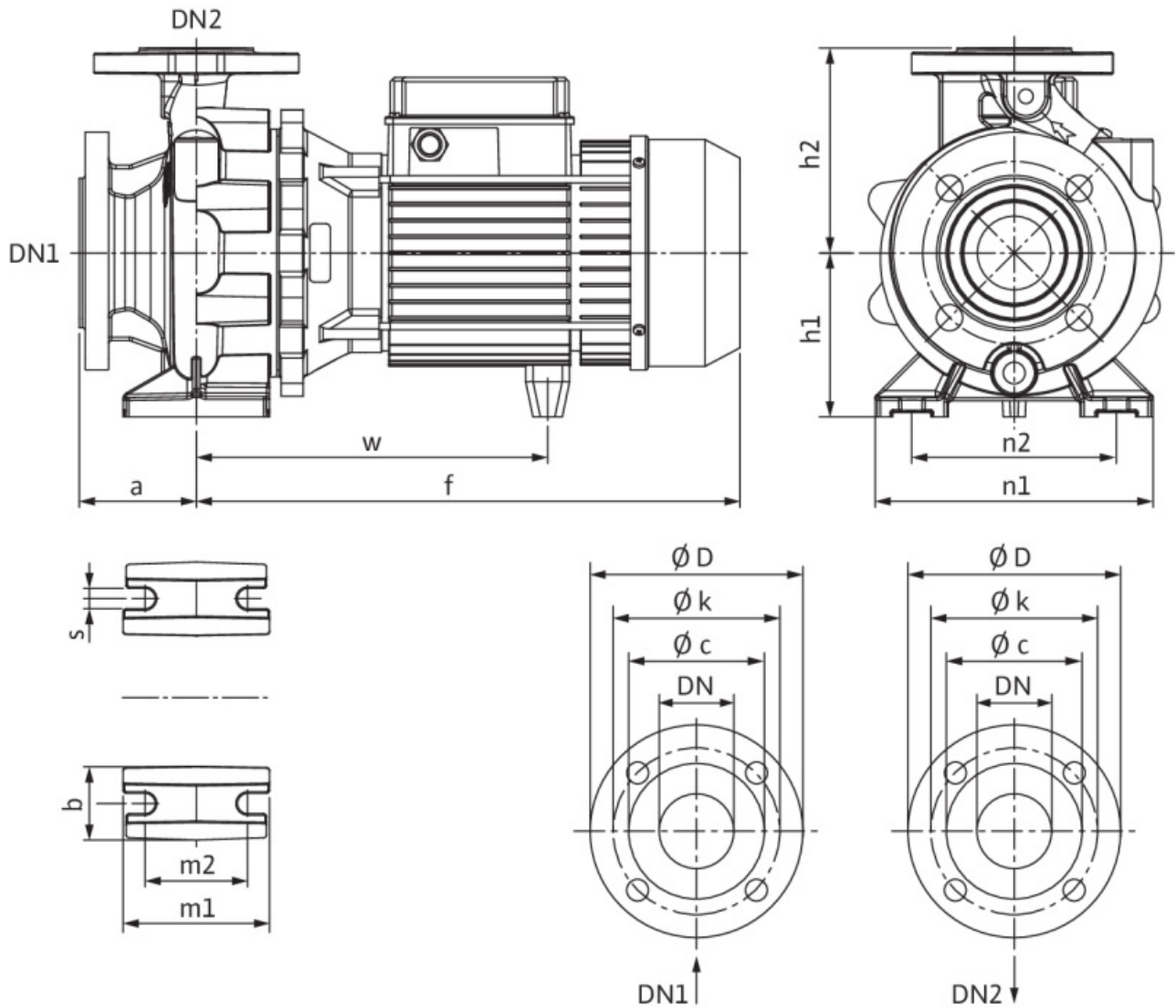
Untitled project 2025-03-01 21:27:50.947

Project name

Installation location

Customer pos. No.

Date 2025-03-01



**Standard**

Suction side DN 80, PN 10  
Discharge side DN 65, PN 10

**Dimensions** mm

Name	Value	Name	Value	Name	Value	Name	Value
a	100	h2	180	Ød	132		
b	65	m1	125	ØD	200		
dL	19	m2	95	ØD	185		
DN1	DN 80, PN 10	n1	280	s	14		
DN2	DN 65, PN 10	n2	212	w	304		
f	449	Ø k	160				
h1	160	Ø k	145				

**Customer**

# Technical data

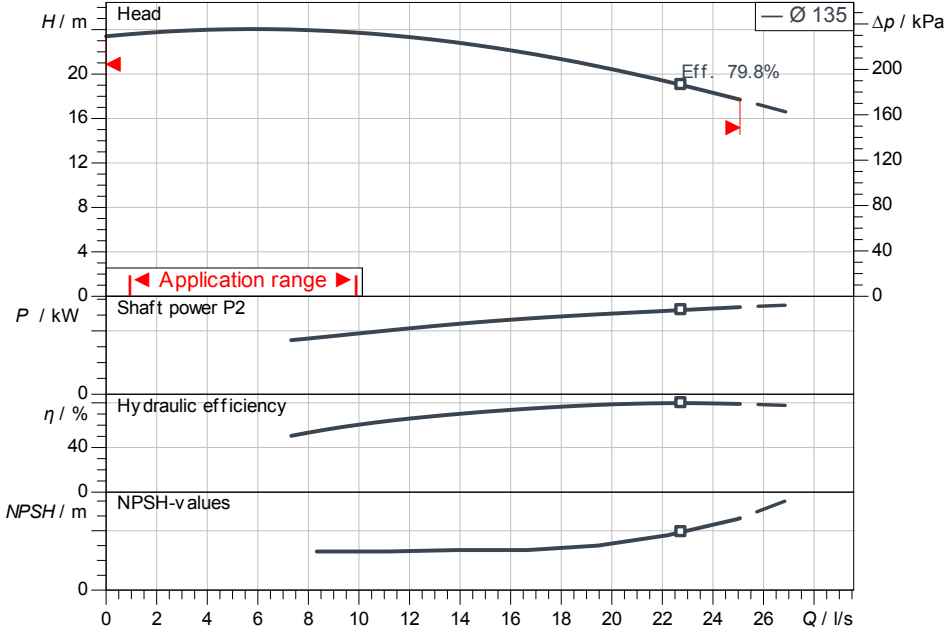
## Glanded monobloc pump BM-B 65/135-5,5/2

Project ID: Untitled project 2025-03-01 21:27:50.947

Project name  
Installation location  
Customer pos. No.

Date: 2025-03-01

### Duty chart



### Requested data

Flow	
Head	
Media	Water 100 %
Fluid temperature	20.00 °C
Density	998.30 kg/m <sup>3</sup>
Kin. viscosity	1.00 mm <sup>2</sup> /s

### Hydraulic data (Duty point)

Flow	
Head	
Shaft power P2	
Hydraulic efficiency	
NPSH	

### Product data

Glanded monobloc pump	
BM-B 65/135-5,5/2	
Max. operating pressure	1,000 kPa
Fluid temperature	-10 °C ... +90 °C
Max. ambient temperature	40 °C
Minimum efficiency index (MEI)	≥ 0.4

### Motordata per Motor/Pump

Motor efficiency level	IE3
Mains connection	3~ 400 V / 50 Hz
Permitted voltage tolerance	+/- 10 %
Rated speed	2,900 1/min
Rated power P2	5.50 kW
Rated current	10.80 A
Power factor	0.87
Efficiency	
50% / 75% / 100%	87.4 / 88.5 / 89.2%
Degree of protection	IP55
Insulation class	F
Motor protection	No

### Fitting dimensions

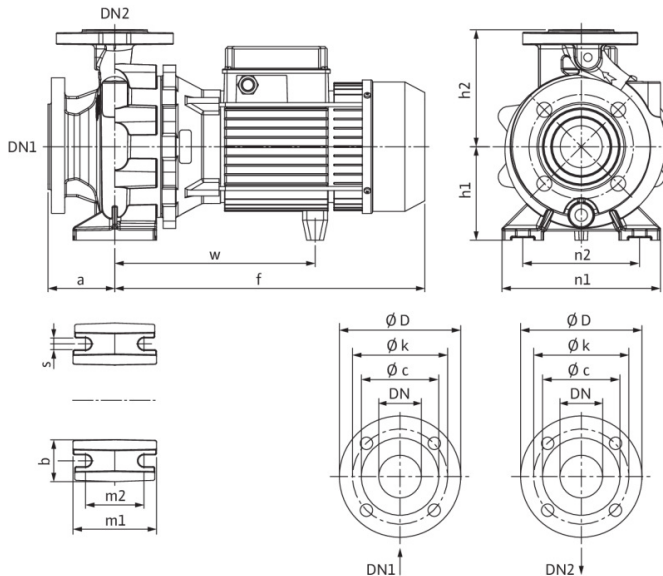
Pipe connection on the suction side	DN 80, PN 10
Pipe connection (pressure side)	DN 65, PN 10
Port to Port	-

### Materials

Pump housing	Bronze, G-CuSn10
Impeller	Bronze, G-CuSn10
Shaft	1.4362
Shaft seal	Q1Q1VGG

### Information for order placements

Weight approx.	67 kg
Item number	2103317





Contact  
E-mail  
Phone

Customer

Contact  
E-mail  
Phone

# Hydraulic data

Glanded monobloc pump  
BM-B 65/135-5,5/2

Project ID: Untitled project 2025-03-01 21:27:50.947

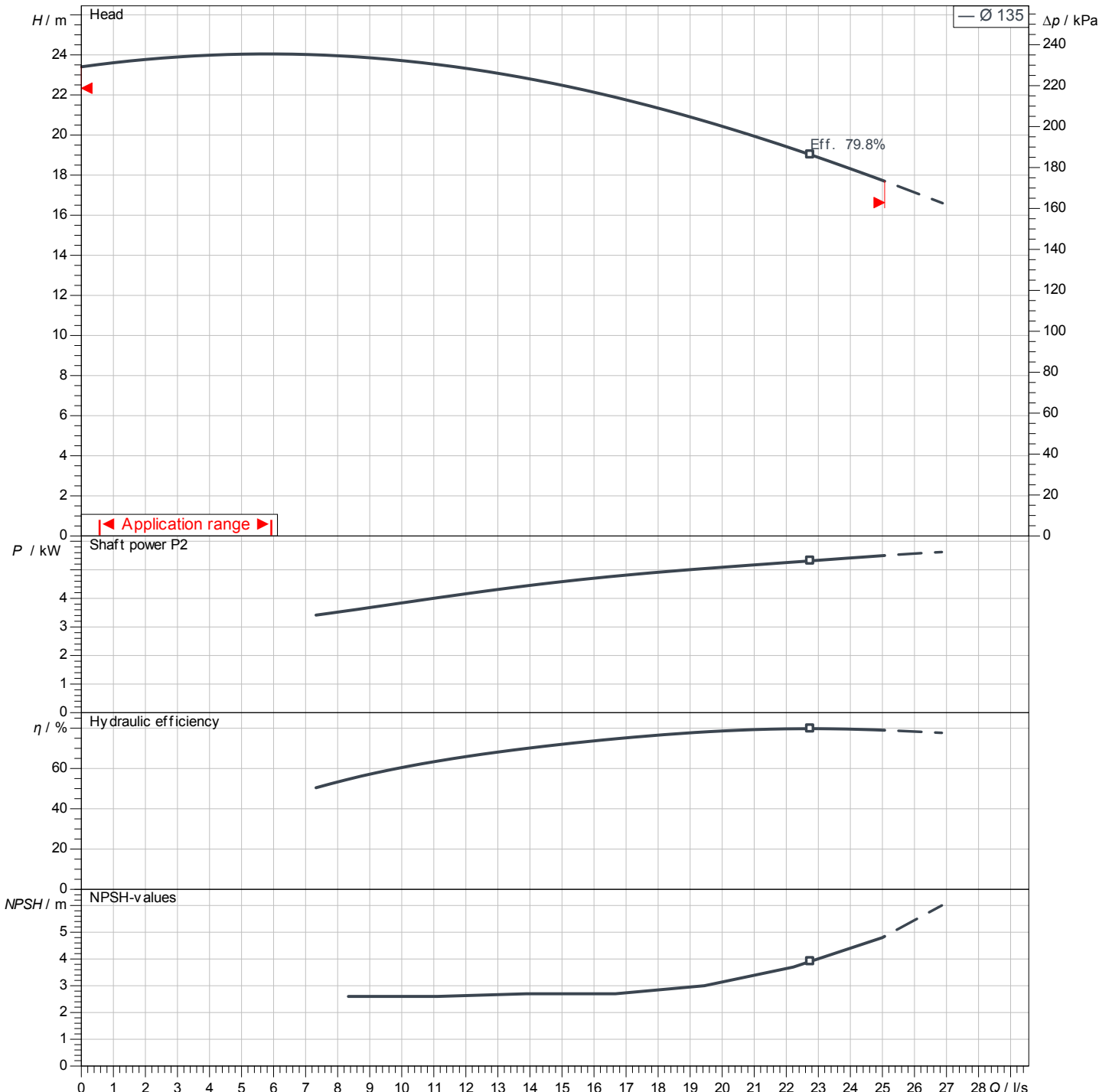
Project name  
Installation location  
Customer pos. No.

Date 2025-03-01

## Operating data

Rotational speed <b>2900 1/min</b>	Frequency <b>50 Hz</b>	Duty point <b>Q =</b>	<b>H =</b>	Suction port <b>DN 80</b>	Discharge port <b>DN 65</b>
---------------------------------------	---------------------------	--------------------------	------------	------------------------------	--------------------------------

Power data referred to: Water; 20°C; 998.3kg/m³; 1.005mm²/s ±10 % tolerance with linear U/f frequency control



No test norm defined for this product