

**Customer**

## Technical data

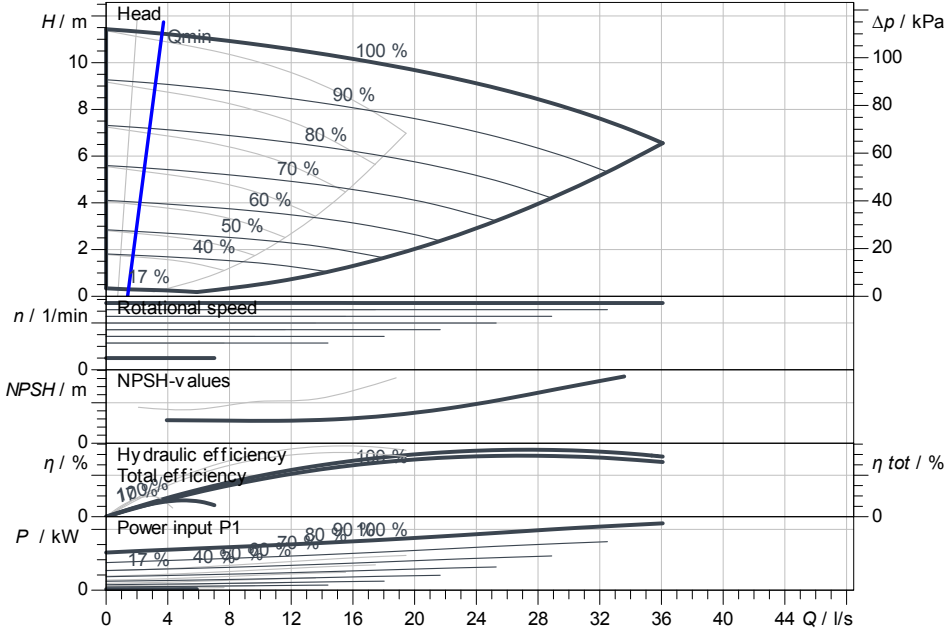
### Glanded energy-saving twin-head pump Yonos GIGA2.0-D 80/1-10/2,2

Project ID                      Untitled project 2025-03-04 09:37:01.987

Project name  
Installation location  
Customer pos. No.

Date                      2025-03-04

#### Duty chart



#### Requested data

|                   |                          |
|-------------------|--------------------------|
| Flow              |                          |
| Head              |                          |
| Media             | Water 100 %              |
| Fluid temperature | 20.00 °C                 |
| Density           | 998.30 kg/m <sup>3</sup> |
| Kin. viscosity    | 1.00 mm <sup>2</sup> /s  |

#### Hydraulic data (Duty point)

|                |  |
|----------------|--|
| Flow           |  |
| Head           |  |
| Power input P1 |  |
| NPSH           |  |

#### Product data

|                                      |                    |
|--------------------------------------|--------------------|
| Glanded energy-saving twin-head pump |                    |
| Yonos GIGA2.0-D 80/1-10/2,2          |                    |
| Kind of operation                    | n-const ADD        |
| Max. operating pressure              | 1,600 kPa          |
| Fluid temperature                    | -20 °C ... +120 °C |
| Max. ambient temperature             | 50 °C              |
| Minimum efficiency index (MEI)       | ≥ 0.4              |

#### Motordata per Motor/Pump

|                             |                  |
|-----------------------------|------------------|
| Motor design                | EC motor         |
| Efficiency class            | IE5              |
| Mains connection            | 3~ 400 V / 50 Hz |
| Permitted voltage tolerance | + -10 %          |
| Max. speed                  | 2,850 1/min      |
| Rated power P2              | 2.20 kW          |
| Rated current               | 3.80 A           |
| Degree of protection        | IP55             |
| Insulation class            | F                |
| Motor protection            | PTC integrated   |

#### Fitting dimensions

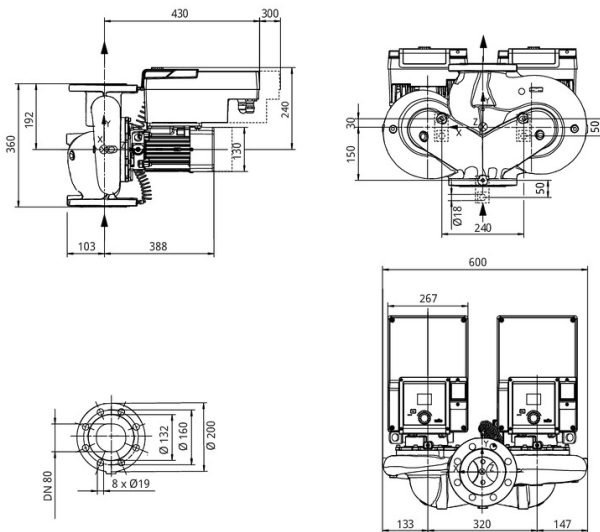
|                                     |              |
|-------------------------------------|--------------|
| Pipe connection on the suction side | DN 80, PN 16 |
| Pipe connection (pressure side)     | DN 80, PN 16 |
| Port to Port                        | 360 mm       |

#### Materials

|              |                                  |
|--------------|----------------------------------|
| Pump housing | 5.1301/EN-GJL-250                |
| Impeller     | PPE/PS-GF30                      |
| Lantern      | 5.1301, EN-GJL-250 cataphoretic- |
| Shaft        | 1.4021                           |
| Shaft seal   | AQ1EGG                           |

#### Information for order placements

|                |         |
|----------------|---------|
| Weight approx. | 76 kg   |
| Item number    | 2205897 |



3-380V...440V, 50/60 Hz

