

**Customer**

# Technical data

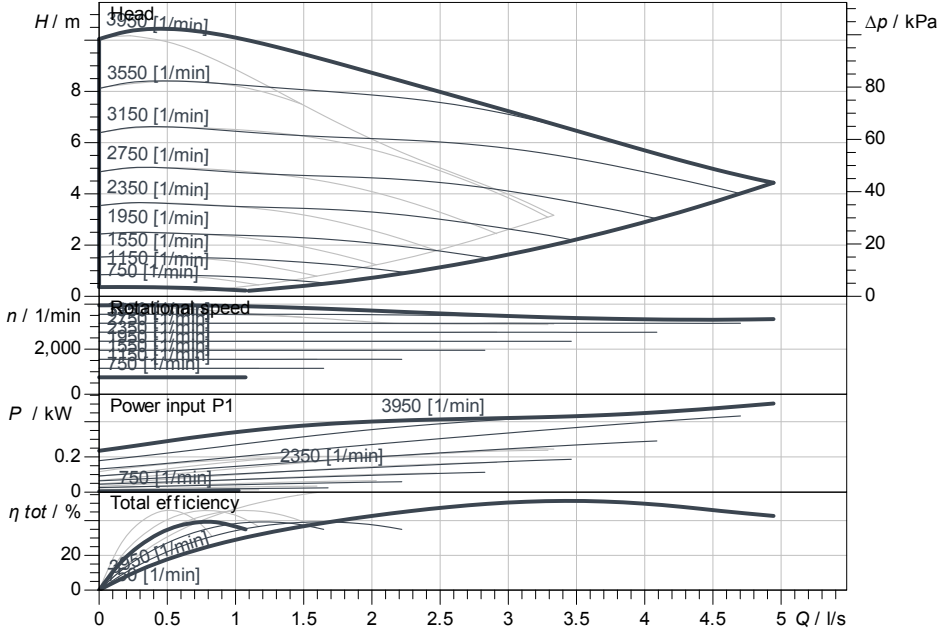
## Glandless premium smart twin-head pump Stratos MAXO-D 30/0,5-10 PN16

Project ID                      Untitled project 2025-03-04 09:37:01.987

Project name  
Installation location  
Customer pos. No.

Date                      2025-03-04

**Duty chart**



**Requested data**

Flow	
Head	
Media	Water 100 %
Fluid temperature	20.00 °C
Density	998.30 kg/m <sup>3</sup>
Kin. viscosity	1.00 mm <sup>2</sup> /s

**Hydraulic data (Duty point)**

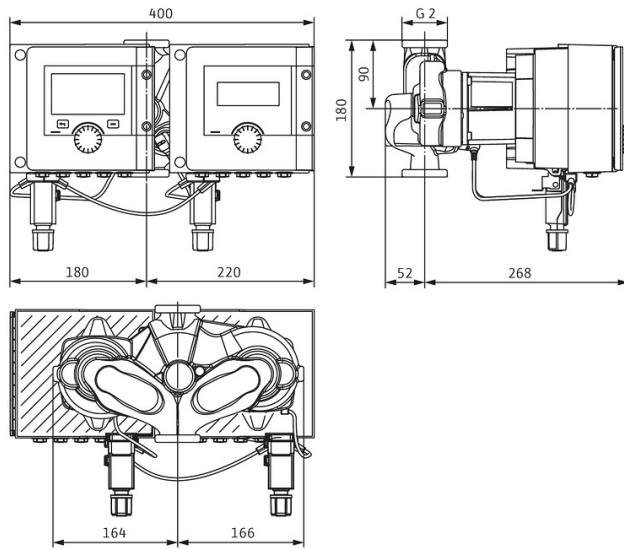
Flow	
Head	
Power input P1	

**Product data**

Glandless premium smart twin-head pump	
Stratos MAXO-D 30/0,5-10 PN16	
Kind of operation	n-const ADD
Max. operating pressure	1,600 kPa
Fluid temperature	-10 °C ... +110 °C
Max. ambient temperature	40 °C
Minimum suction head at 50 / 95 / 110°C	3 / 10 / 16

**Motordata per Motor/Pump**

Motor design	EC motor
Energy efficiency index (EEI)	≤ 0.19
Mains connection	1~ 230 V / 50 Hz
Permitted voltage tolerance	+ -10 %
Max. speed	3,950 1/min
Power input P1	0.28 kW
Current consumption	1.2 A
Degree of protection	IPX4D
Insulation class	F
Motor protection	Internal protection over
Electromagnetic compatibility	
Emitted interference	EN 61800-3;2004+A1
Interference resistance	EN 61800-3;2004+A1
Threaded cable connection	5 x M16x1.5



**Fitting dimensions**

Pipe connection on the suction side	G 2, PN 16
Pipe connection (pressure side)	G 2, PN 16
Port to Port	180 mm

**Materials**

Pump housing	5.1301/EN-GJL-250
Impeller	PPS-GF40
Shaft	1.4122, DLC-coated
Bearing	Carbon, antimony-impregnated

**Information for order placements**

Weight approx.	16.7 kg
Item number	2186290

