

Contact
E-mail
Phone

Customer

Contact
E-mail
Phone

Technical data

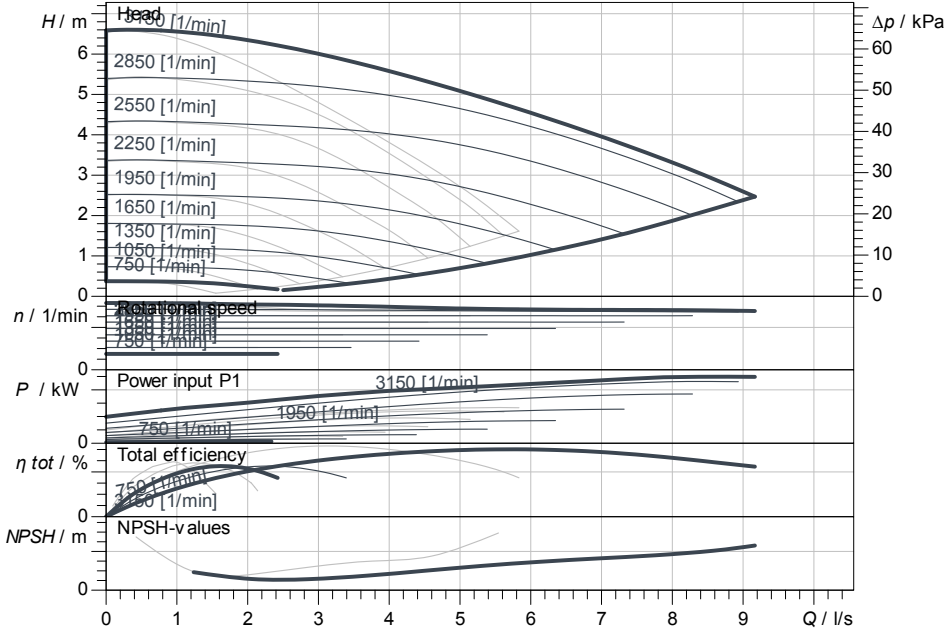
Glandless premium smart twin-head pump Stratos MAXO-D 50/0,5-6 PN16

Project ID Untitled project 2025-03-04 09:37:01.987

Project name
Installation location
Customer pos. No.

Date 2025-03-04

Duty chart



Requested data

Flow	
Head	
Media	Water 100 %
Fluid temperature	20.00 °C
Density	998.30 kg/m ³
Kin. viscosity	1.00 mm ² /s

Hydraulic data (Duty point)

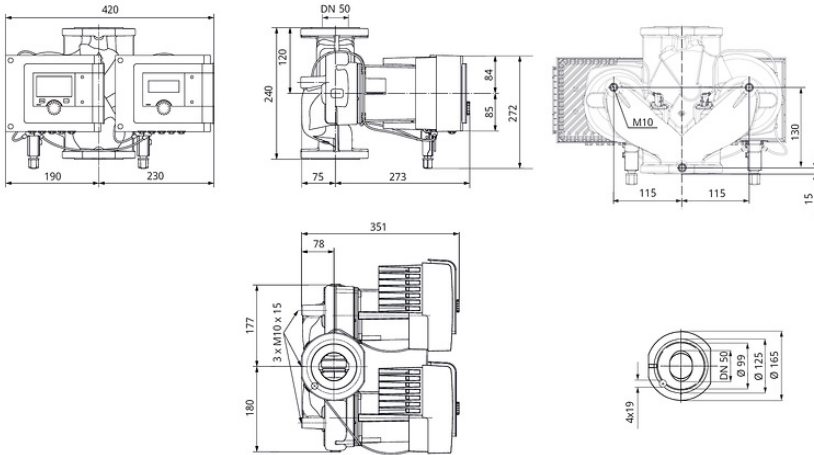
Flow	
Head	
Power input P1	

Product data

Glandless premium smart twin-head pump	
Stratos MAXO-D 50/0,5-6 PN16	
Kind of operation	n-const ADD
Max. operating pressure	1,600 kPa
Fluid temperature	-10 °C ... +110 °C
Max. ambient temperature	40 °C
Minimum suction head at 50 / 95 / 110 °C	3 / 10 / 16

Motordata per Motor/Pump

Motor design	EC motor
Energy efficiency index (EEI)	≤ 0.18
Mains connection	1~ 230 V / 50 Hz
Permitted voltage tolerance	+ -10 %
Max. speed	3,150 1/min
Power input P1	0.27 kW
Current consumption	1.17 A
Degree of protection	IPX4D
Insulation class	F
Motor protection	Internal protection over
Electromagnetic compatibility	
Emitted interference	EN 61800-3;2004+A1
Interference resistance	EN 61800-3;2004+A1
Threaded cable connection	5 x M16x1.5



Fitting dimensions

Pipe connection on the suction side	DN 50, PN 16
Pipe connection (pressure side)	DN 50, PN 16
Port to Port	240 mm

Materials

Pump housing	5.1301/EN-GJL-250
Impeller	PPS-GF40
Shaft	1.4028, DLC-coated
Bearing	Carbon, antimony-impregnated

Information for order placements

Weight approx.	26 kg
Item number	2186296

