

**Customer**

## Dimensions

Glanded monobloc pump  
BM-B 40/165-5,5/2

Project ID

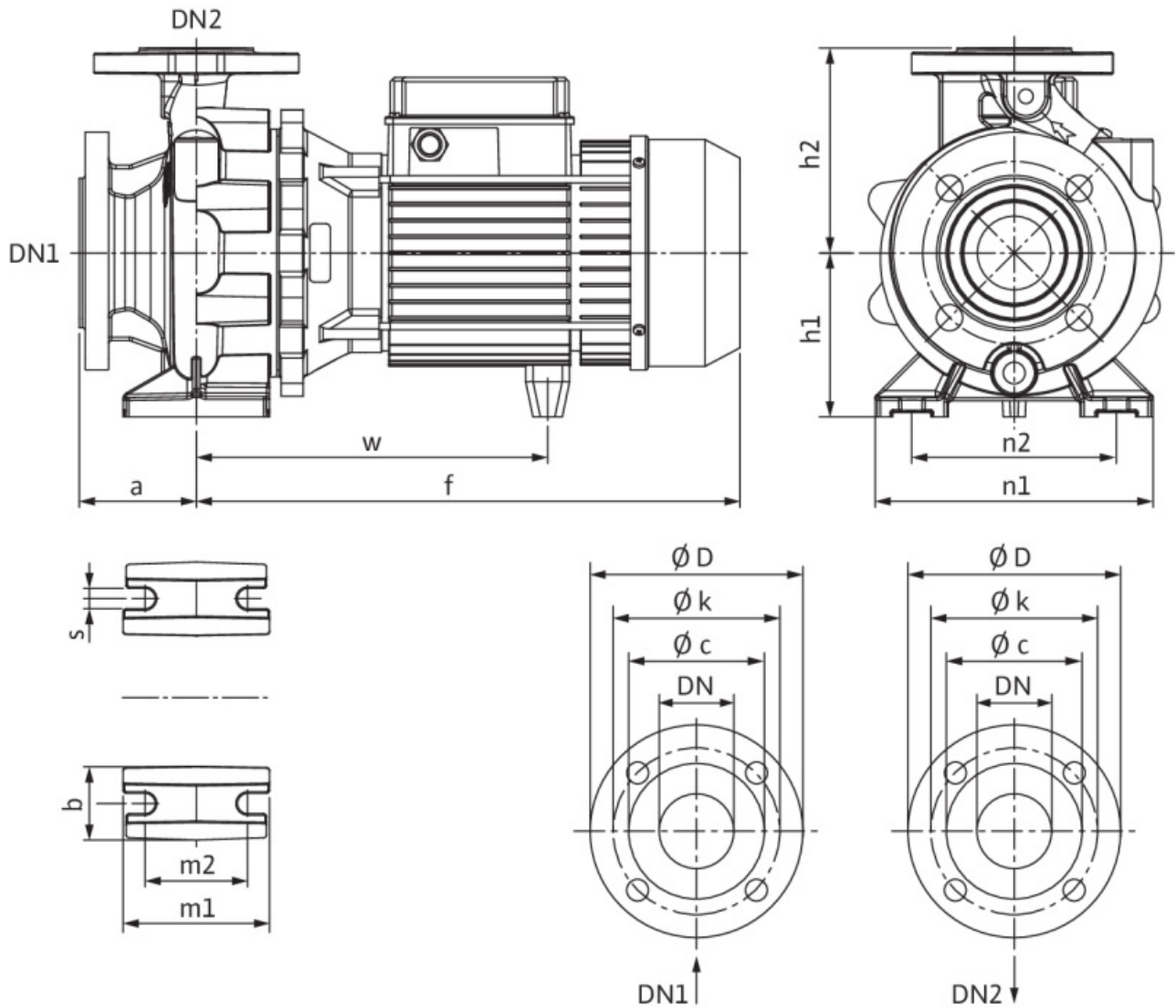
Untitled project 2025-03-01 21:27:50.947

Project name

Installation location

Customer pos. No.

Date 2025-03-01



**Standard**

Suction side DN 65, PN 10  
Discharge side DN 40, PN 10

**Dimensions** mm

Name	Value	Name	Value	Name	Value	Name	Value
a	80	h2	160	Ød	118		
b	50	m1	100	ØD	185		
dL	19	m2	70	ØD	150		
DN1	DN 65, PN 10	n1	240	s	14		
DN2	DN 40, PN 10	n2	190	w	304		
f	450	Ø k	145				
h1	132	Ø k	110				

**Customer**

# Technical data

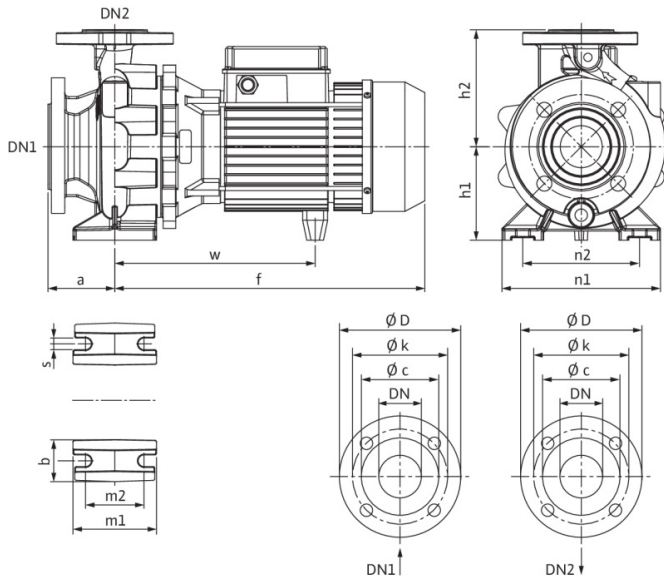
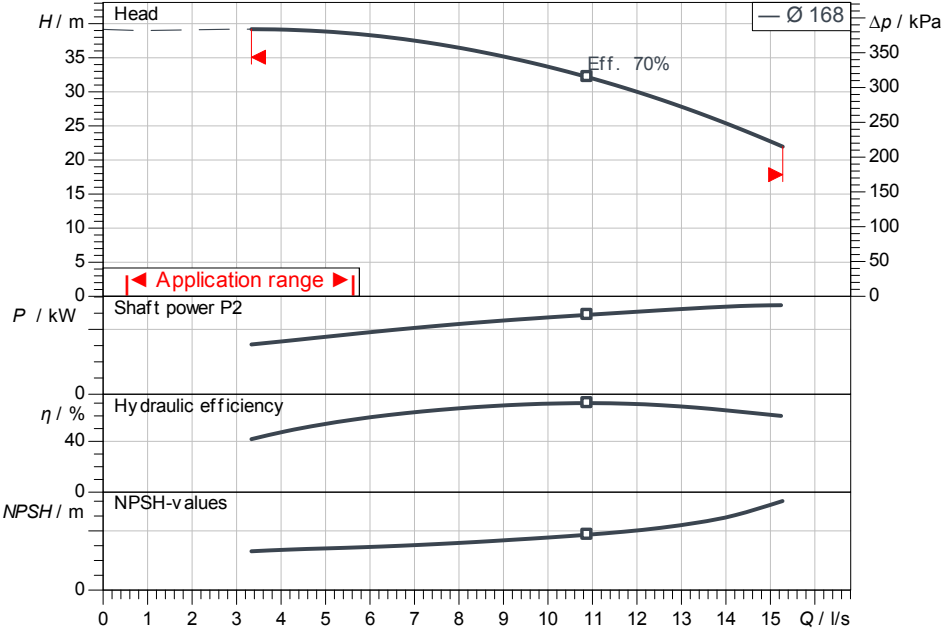
## Glanded monobloc pump BM-B 40/165-5,5/2

Project ID: Untitled project 2025-03-01 21:27:50.947

Project name  
Installation location  
Customer pos. No.

Date: 2025-03-01

### Duty chart



### Requested data

Flow  
Head  
Media: Water 100 %  
Fluid temperature: 20.00 °C  
Density: 998.30 kg/m<sup>3</sup>  
Kin. viscosity: 1.00 mm<sup>2</sup>/s

### Hydraulic data (Duty point)

Flow  
Head  
Shaft power P2  
Hydraulic efficiency  
NPSH

### Product data

Glanded monobloc pump  
BM-B 40/165-5,5/2  
Max. operating pressure: 1,000 kPa  
Fluid temperature: -10 °C ... +90 °C  
Max. ambient temperature: 40 °C  
Minimum efficiency index (MEI): ≥ 0.4

### Motordata per Motor/Pump

Motor efficiency level: IE3  
Mains connection: 3~ 400 V / 50 Hz  
Permitted voltage tolerance: + -10 %  
Rated speed: 2,900 1/min  
Rated power P2: 5.50 kW  
Rated current: 10.80 A  
Power factor: 0.87  
Efficiency: 50% / 75% / 100% → 87.4 / 88.5 / 89.2 %  
Degree of protection: IP55  
Insulation class: F  
Motor protection: No

### Fitting dimensions

Pipe connection on the suction side: DN 65, PN 10  
Pipe connection (pressure side): DN 40, PN 10  
Port to Port: -

### Materials

Pump housing: Bronze, G-CuSn10  
Impeller: Bronze, G-CuSn10  
Shaft: 1.4362  
Shaft seal: Q1Q1VGG

### Information for order placements

Weight approx.: 65 kg  
Item number: 2103280



Contact  
E-mail  
Phone

**Customer**

Contact  
E-mail  
Phone

### Hydraulic data

Glanded monobloc pump  
BM-B 40/165-5,5/2

Project ID                      Untitled project 2025-03-01 21:27:50.947

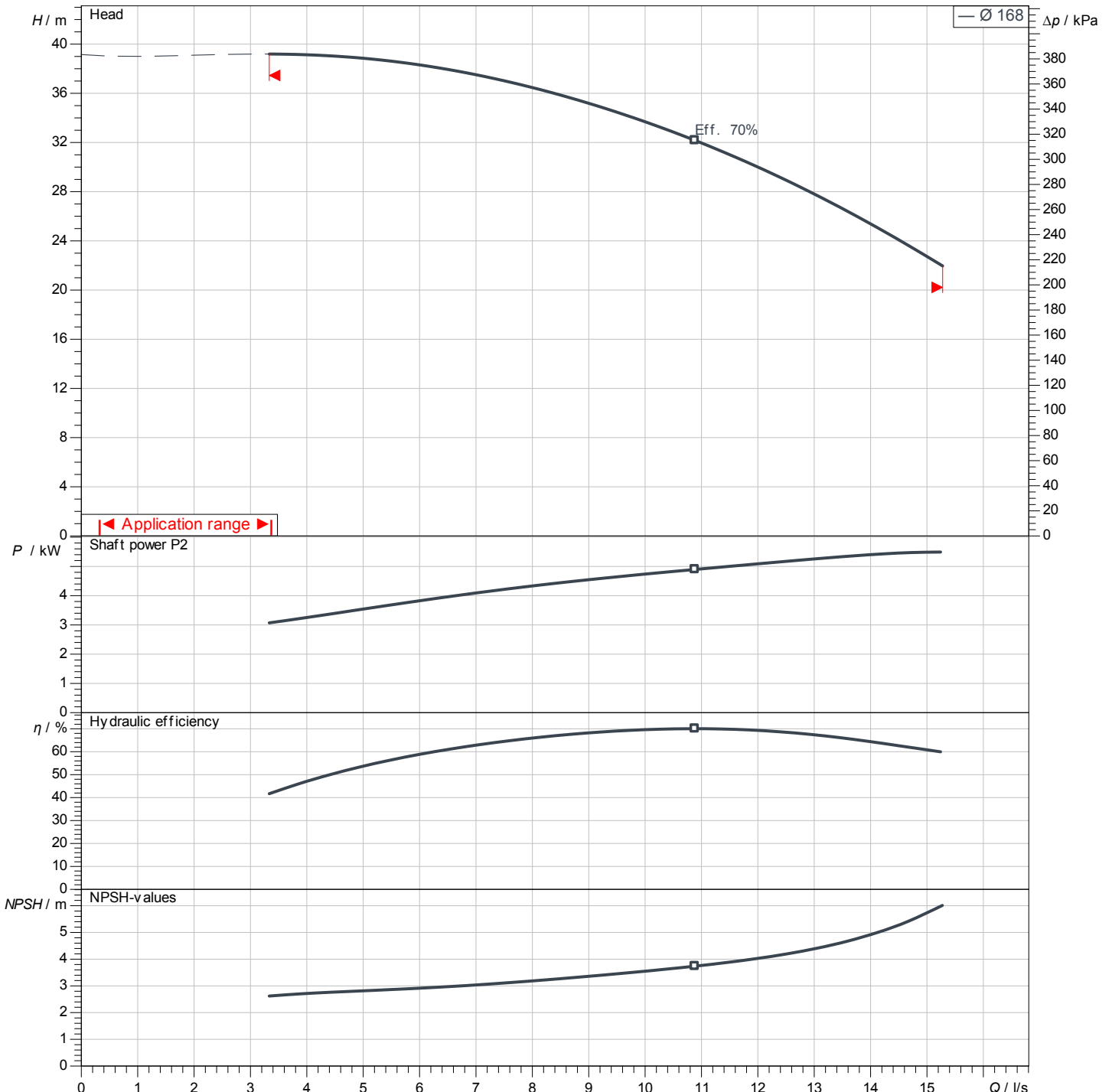
Project name  
Installation location  
Customer pos. No.

Date           2025-03-01

### Operating data

Rotational speed <b>2900 1/min</b>	Frequency <b>50 Hz</b>	Duty point <b>Q =</b>	<b>H =</b>	Suction port <b>DN 65</b>	Discharge port <b>DN 40</b>
---------------------------------------	---------------------------	--------------------------	------------	------------------------------	--------------------------------

Power data referred to:                      Water; 20°C; 998.3kg/m³; 1.005mm²/s                      ±10 % tolerance with linear U/f frequency control



No test norm defined for this product