

**Customer**

## Technical data

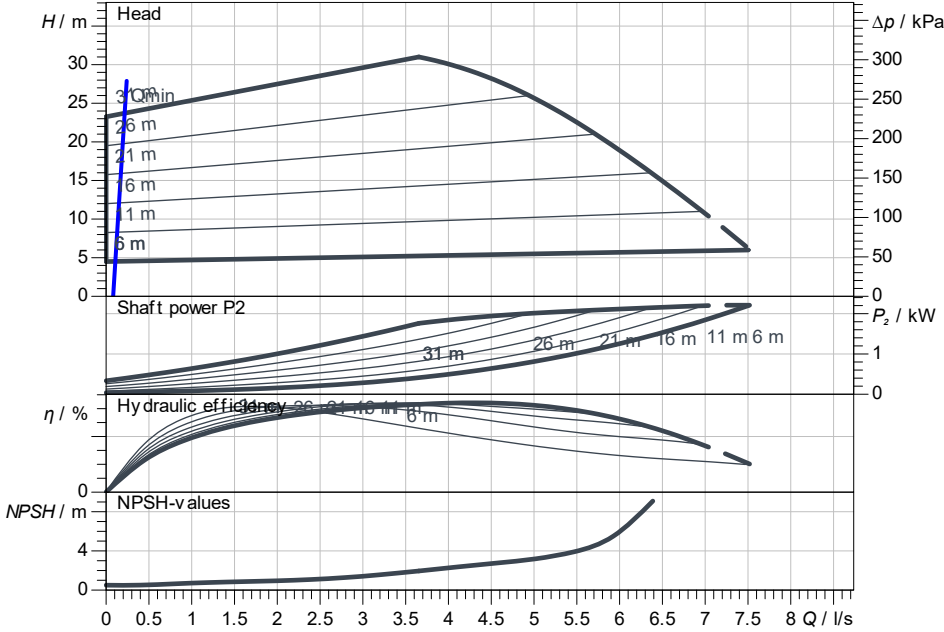
### High-pressure multistage centrifugal pump Medana CH3-LE.1602-1/E/1/10T

Project ID: Untitled project 2025-03-03 23:00:00.495

Project name  
Installation location  
Customer pos. No.

Date: 2025-03-03

#### Duty chart



#### Requested data

Flow	
Head	
Media	Water 100 %
Fluid temperature	20.00 °C
Density	998.30 kg/m <sup>3</sup>
Kin. viscosity	1.00 mm <sup>2</sup> /s

#### Hydraulic data (Duty point)

Flow  
Head

#### Product data

High-pressure multistage centrifugal pump Medana CH3-LE.1602-1/E/1/10T	
Max. operating pressure	1,000 kPa
Inlet pressure max.	600 kPa
Fluid temperature	-20 °C ... +120 °C
Max. ambient temperature	50 °C

#### Motordata per Motor/Pump

Motor efficiency class	IE5
Mains connection	1~ 230 V / 50 Hz
Permitted voltage tolerance	
Max. speed	
Rated power P2	2.20 kW
Rated current	10.90 A
0	
Degree of protection	IP55
Insulation class	F
Motor protection	PTC

#### Fitting dimensions

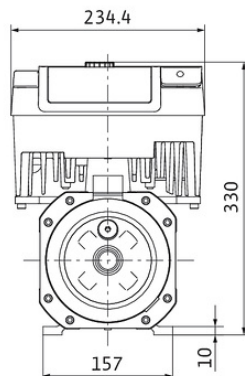
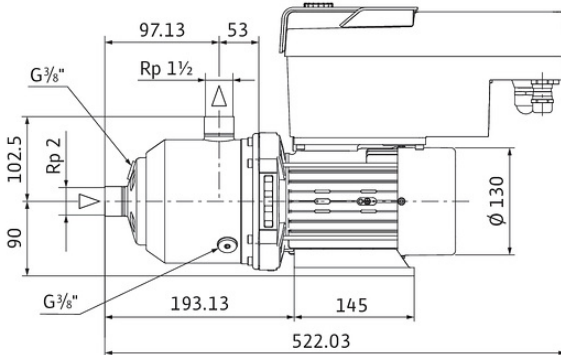
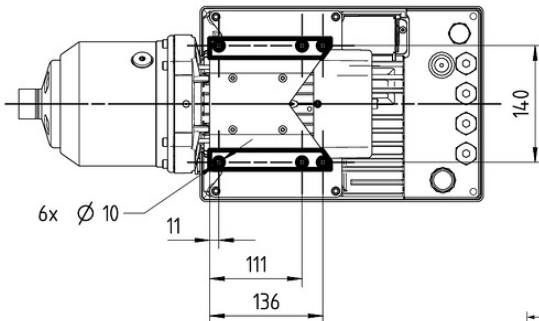
Pipe connection on the suction side	Rp 2, PN 10
Pipe connection (pressure side)	Rp 1½, PN 10

#### Materials

Pump housing	1.4301
Impeller	1.4301
Shaft	1.4301
Shaft seal	BQ1E3GG
Gasket material	EPDM
Stage chamber material	1.4301

#### Information for order placements

Weight approx.	22.5 kg
Item number	4250216



#### Dimensions mm