

Customer

Technical data

Multi-pump system

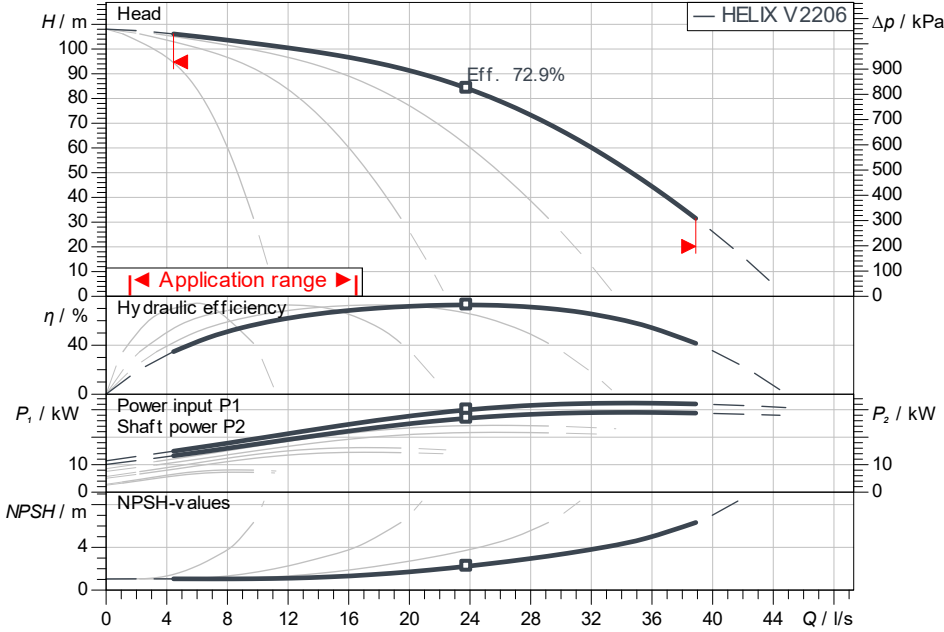
SiBoost Smart FC 4 Helix V 2206

Project ID: Untitled project 2025-03-04 01:04:54.425

Project name
Installation location
Customer pos. No.

Date: 2025-03-04

Duty chart



Requested data

Flow	
Head	
Media	Water 100 %
Fluid temperature	20.00 °C
Density	998.30 kg/m ³
Kin. viscosity	1.00 mm ² /s

Hydraulic data (Duty point)

Flow	
Head	
Shaft power P2	

Product data

Multi-pump system
SiBoost Smart FC 4 Helix V 2206

No. of pumps	4
Max. operating pressure	1,600 kPa
Inlet pressure max.	1,000
Fluid temperature	3 °C ... +50 °C
Max. ambient temperature	40 °C
Protection class system	IP55
Protection class of switchgear	IP54
Diaphragm pressure vessel	Yes
Low-water cut-out switchgear	No

Motordata per Motor/Pump

Motor efficiency level	IE3
Mains connection	3~ 400 V / 50 Hz
Permitted voltage tolerance	+/-10 %
Rated speed	2,900 1/min
Rated power P2	7.50 kW
Rated current	13.70 A
Power factor	0.88
Efficiency	
50% / 75% / 100%	89.8/90.5/90.1%
Degree of protection	IP55
Insulation class	F
Motor protection	Yes

Fitting dimensions

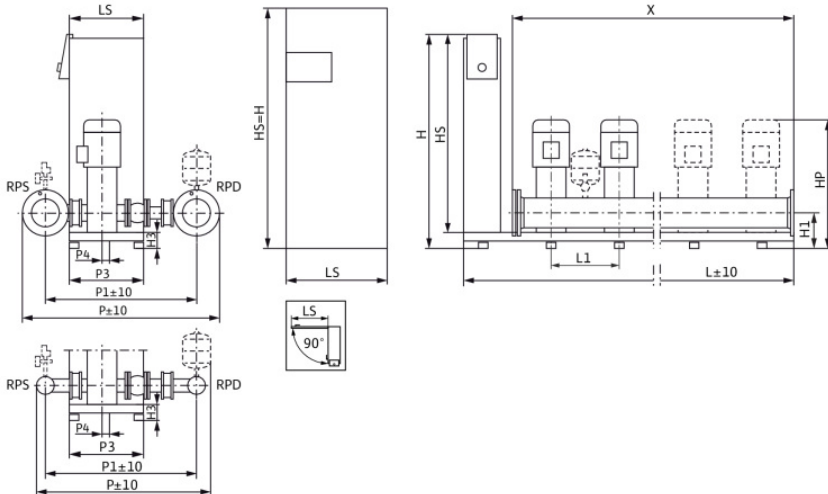
Pipe connection on the suction side: DN 125, PN 10
Pipe connection (pressure side): DN 125, PN 16

Materials

Pump housing	5.1301/EN-GJL-250
Impeller	1.4307
Shaft	1.4057
Shaft seal	Q1BE3GG
Gasket material	EPDM
Pipework material	1.4307

Information for order placements

Weight approx.	731 kg
Item number	2540756



Dimensions

Dimensions		mm	
DNd	DN 125, H3	105	LS 800 X 1,200
DNs	DN 125, HP	1,153	P 1,266
H	1,900	HS	1,900
H1	195	L	1,200
H2	345	L1	300
		P1	1,016
		P3	450
		P4	25

Contact
E-mail
Phone

Customer

Contact
E-mail
Phone

Dimensions

Multi-pump system

SiBoost Smart FC 4 Helix V 2206

Project ID Untitled project 2025-03-04 01:04:54.425

Project name
Installation location
Customer pos. No.

Date 2025-03-04



Standard

Suction side DN 125, PN 10/PN 16
Discharge side DN 125, PN 10/PN 16

Dimensions mm

Name	Value	Name	Value	Name	Value	Name	Value
DNd	DN 125, PN 16	HS	1,900	P4	25		
DNs	DN 125, PN 10	L	1,200	X	1,200		
H	1,900	L1	300				
H1	195	LS	800				
H2	345	P	1,266				
H3	105	P1	1,016				
HP	1,153	P3	450				