

## Technical data

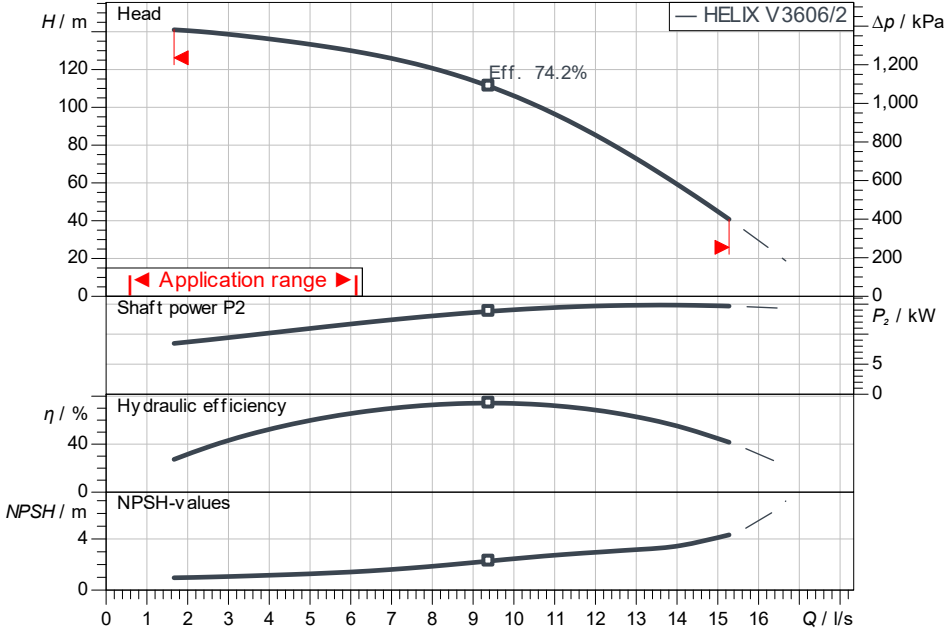
### Fire-extinguishing system FLA-1 Helix V 3606/2/K-01 PN16

Project ID: Untitled project 2025-03-03 14:15:38.327

Project name  
Installation location  
Customer pos. No.

Date: 2025-03-03

#### Duty chart



#### Requested data

Flow  
Head  
Media: Water 100 %  
Fluid temperature: 20.00 °C  
Density: 998.30 kg/m<sup>3</sup>  
Kin. viscosity: 1.00 mm<sup>2</sup>/s

#### Hydraulic data (Duty point)

Flow  
Head  
Shaft power P<sub>2</sub>

#### Product data

Fire-extinguishing system  
FLA-1 Helix V 3606/2/K-01 PN16

No. of pumps: 1  
Max. operating pressure: 1,600 kPa  
Inlet pressure max.: 1,000  
Fluid temperature: 3 °C ... +50 °C  
Max. ambient temperature: 40 °C  
Protection class system: IP55  
Protection class of switchgear: IP54  
Diaphragm pressure vessel: Yes  
Low-water cut-out switchgear: No

#### Motordata per Motor/Pump

Motor efficiency level: IE3  
Mains connection: 3~ 400 V / 50 Hz  
Permitted voltage tolerance: +-10 %  
Rated speed: 2,900 1/min  
Rated power P<sub>2</sub>: 15.00 kW  
Rated current: 26.70 A  
Power factor: 0.88  
Efficiency: 50% / 75% / 100%  
Degree of protection: IP55  
Insulation class: F  
Motor protection: Yes

#### Fitting dimensions

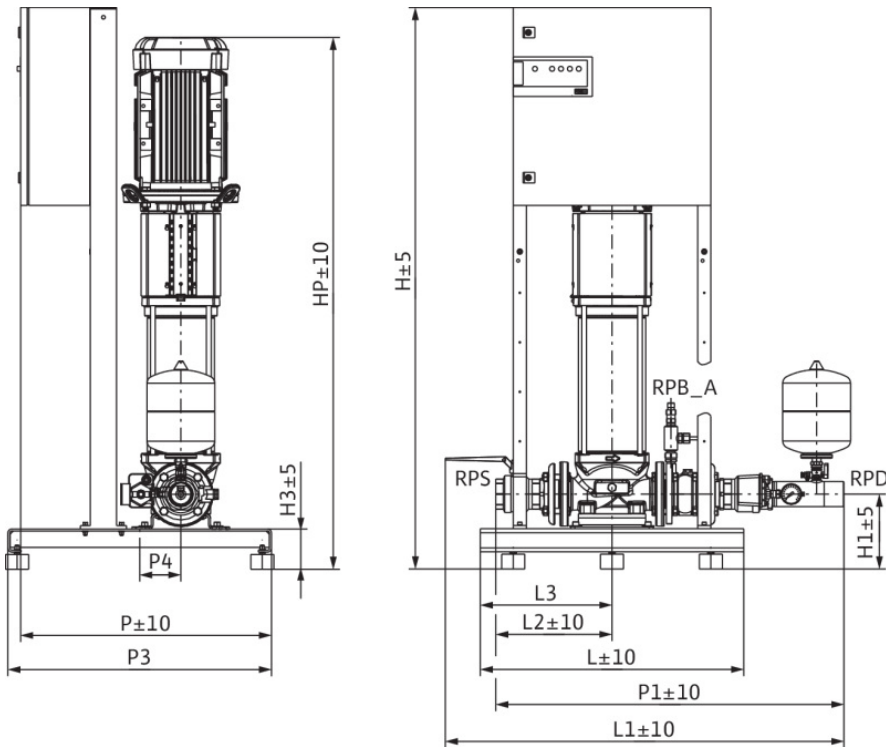
Pipe connection on the suction side: Rp 2 1/2, PN 10  
Pipe connection (pressure side): R 2 1/2, PN 16

#### Materials

Pump housing: 5.1301/EN-GJL-250  
Impeller: 1.4307  
Shaft: 1.4057  
Shaft seal: Q1BE3GG  
Gasket material: EPDM  
Pipework material: 1.4307

#### Information for order placements

Weight approx.: 196 kg  
Item number: 2534377



#### Dimensions

mm

H	1,705	L	800	P1	1,057	RPS	Rp 2 1/2, P1
H1	230	L1	1,240	P3	800		
H3	125	L2	354	P4	125		
HP	1,543	L3	400	RPB_A	R 1 1/4		
HS	600	P	760	RPD	R 2 1/2, PN		

**Customer**

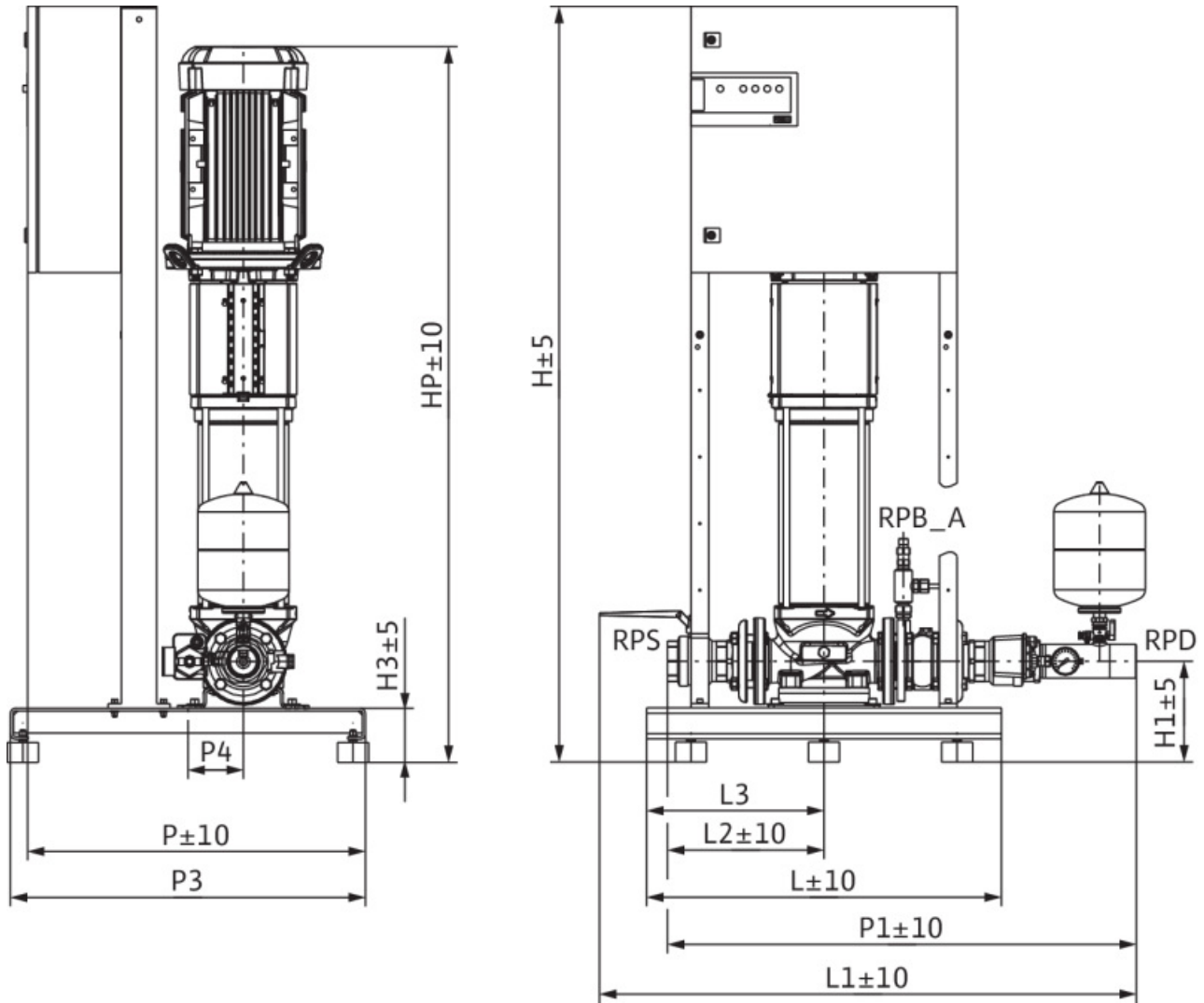
## Dimensions

Fire-extinguishing system  
FLA-1 Helix V 3606/2/K-01 PN16

Project ID                      Untitled project 2025-03-03 14:15:38.327

Project name  
Installation location  
Customer pos. No.

Date                      2025-03-03



Standard

Suction side                      Rp 2½, PN 10/PN 16  
Discharge side                      R 2½, PN 10/PN 16

**Dimensions**                      mm

Name	Value	Name	Value	Name	Value	Name	Value
H	1,705	L2	354	RPD	R 2½, PN 16		
H1	230	L3	400	RPS	Rp 2½, PN 10		
H3	125	P	760				
HP	1,543	P1	1,057				
HS	600	P3	800				
L	800	P4	125				
L1	1,240	RPB_A	R 1¼				



Contact  
E-mail  
Phone

**Customer**

Contact  
E-mail  
Phone

# Wiring diagram

## Fire-extinguishing system FLA-1 Helix V 3606/2/K-01 PN16

Project ID: Untitled project 2025-03-03 14:15:38.327

Project name  
Installation location  
Customer pos. No.

Date 2025-03-03

### Wiring diagram

1-phase / 3-phase **3~**

