

Customer

Technical data

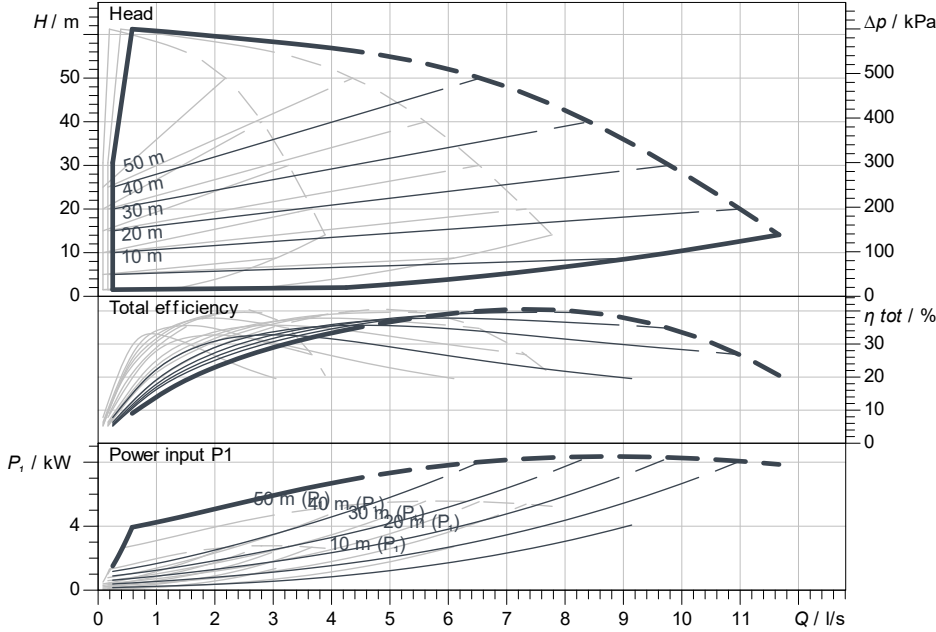
Multi-pump system SiBoost Smart 3 MWISE 806

Project ID: Untitled project 2025-03-04 01:04:54.425

Project name
Installation location
Customer pos. No.

Date: 2025-03-04

Duty chart



Requested data

Flow
Head
Media: Water 100 %
Fluid temperature: 20.00 °C
Density: 998.30 kg/m³
Kin. viscosity: 1.00 mm²/s

Hydraulic data (Duty point)

Flow
Head
Power input P1

Product data

Multi-pump system
SiBoost Smart 3 MWISE 806
Control: With frequency converter
No. of pumps: 3
Max. operating pressure: 1,600 kPa
Inlet pressure max.: 10 bar
Fluid temperature: 3 °C ... +50 °C
Max. ambient temperature: 40 °C
Protection class motor: IP44
Protection class of switchgear: IP54
Diaphragm pressure vessel: Yes
Low-water cut-out switchgear: Yes

Motordata per Motor/Pump

Mains connection: 3~ 400 V / 50 Hz
Permitted voltage tolerance: +10 %
Max. speed: 2,900 1/min
Rated power P2: 2.00 kW
Rated current: 6.50 A
Insulation class: F
Motor protection: PTC

Fitting dimensions

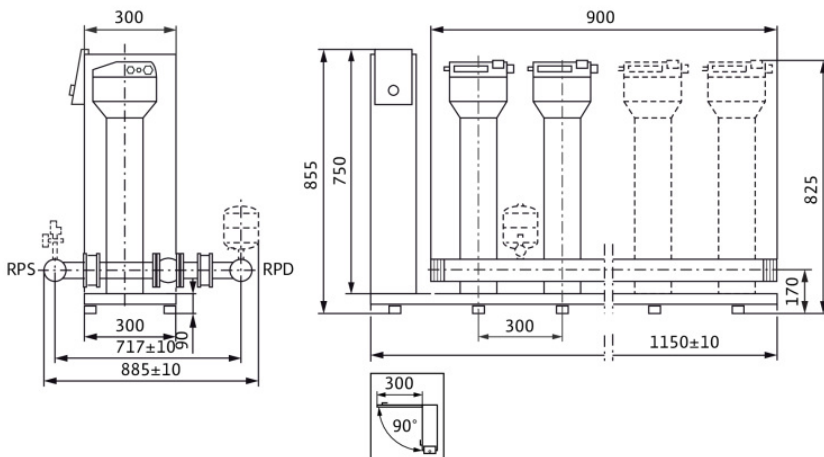
Pipe connection on the suction side: R 3, PN 10
Pipe connection (pressure side): R 3, PN 16

Materials

Pump housing: 1.4301
Impeller: 1.4301
Shaft: 1.4122
Gasket material: EPDM
Pipework material: 1.4307

Information for order placements

Weight approx.: 180 kg
Item number: 2550756



Dimensions mm

Contact
E-mail
Phone

Customer

Contact
E-mail
Phone

Dimensions

Multi-pump system

SiBoost Smart 3 MWISE 806

Project ID

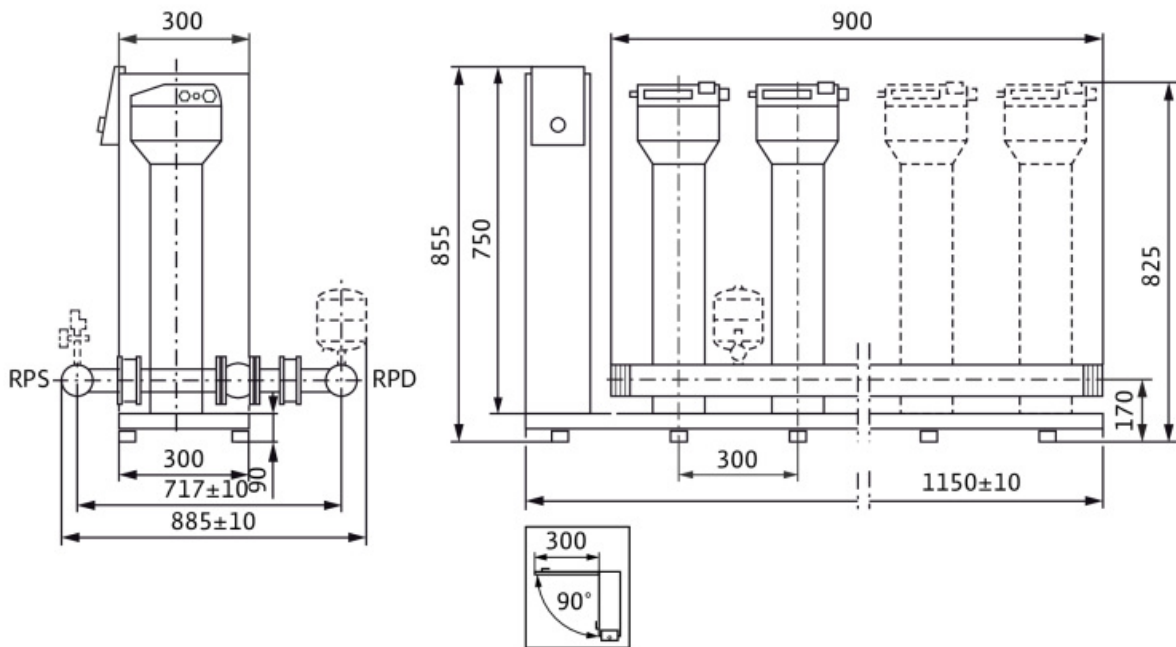
Untitled project 2025-03-04 01:04:54.425

Project name

Installation location

Customer pos. No.

Date 2025-03-04



Standard

Suction side R 3, PN 10/PN 16

Discharge side R 3, PN 10/PN 16

Dimensions mm

Name	Value	Name	Value	Name	Value	Name	Value
------	-------	------	-------	------	-------	------	-------